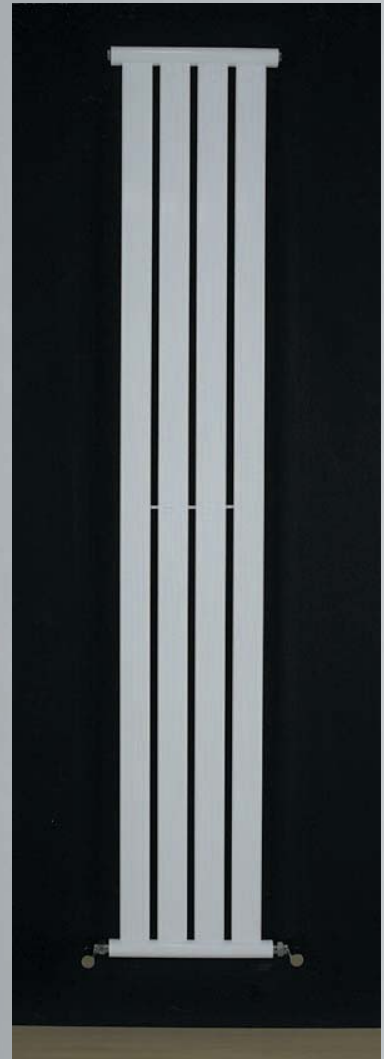


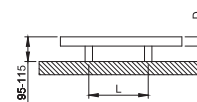
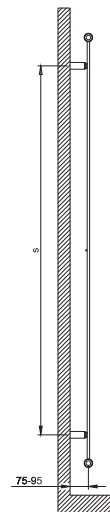
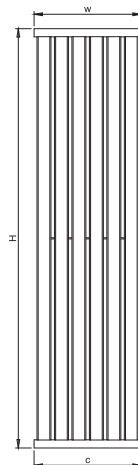
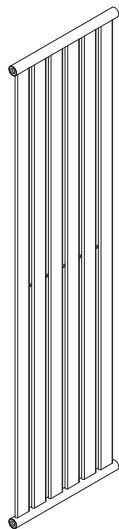
**aida****SMOOTH AND CLEAN**

Warmth and comfort without prejudice – bold, yet understated. The floor-to-ceiling elegance of Aida is perfect for any room. There's no substitute for radiant warmth.





**aida**



material	finish	electric version	wall installation	warranty
steel	RAL painted chrome plated	not available	vertical horizontal	5 years

max. working pressure: 10 bar  
 max. working temperature: 95°C  
 all dimensions are in mm.  
 connections 1/2"

Product Code	Width	Height	Depth	Connection Centers	Tube Quantity	Assembly Axis		Weight	Water Capacity	THERMAL POWER (White Painted)			THERMAL POWER (Chrome Plated)		
	W	H	D	C		S	L	kg.	lit.	btu	k/cal	watt	btu	k/cal	watt
AID0310180004	310	1800	35	310	4	1530	225	11,4	3,3	1883	474	552	1474	371	432
AID0310200004	310	2000	35	310	4	1730	225	12,5	3,6	2082	525	610	1629	410	477
AID0460180006	460	1800	35	460	6	1530	225	17	4,9	2822	711	827	2209	557	647
AID0460200006	460	2000	35	460	6	1730	225	18,8	5,4	3120	786	914	2442	615	715
AID0310180008	610	1800	35	610	8	1530	375	22,7	6,5	3762	948	1102	2944	742	863
AID0310200008	610	2000	35	610	8	1730	375	25,1	7,2	4159	1048	1219	3255	820	954

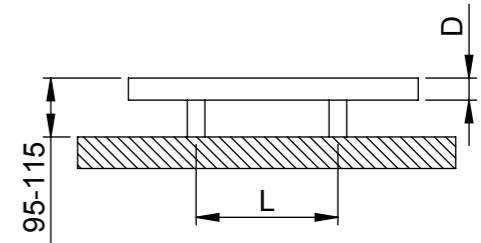
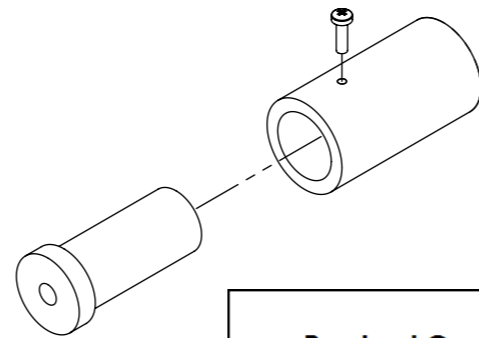
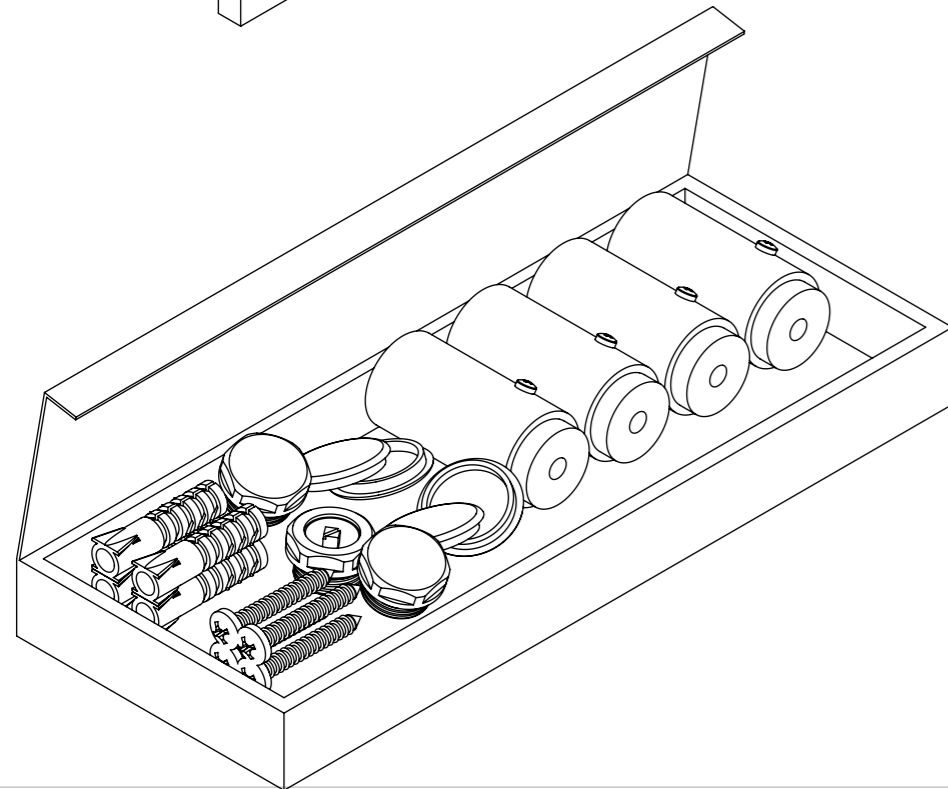
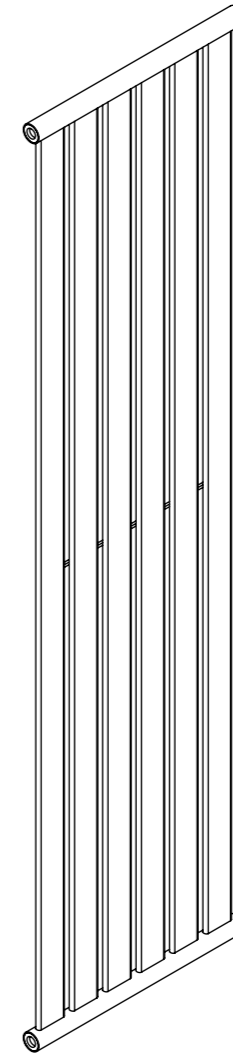
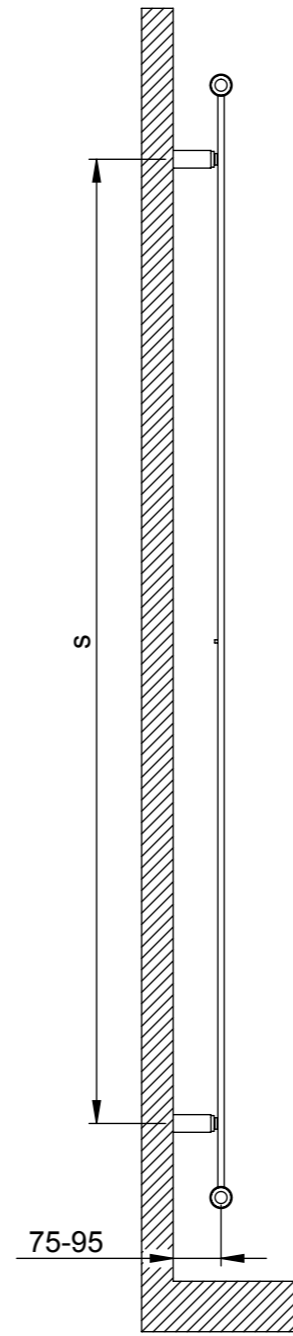
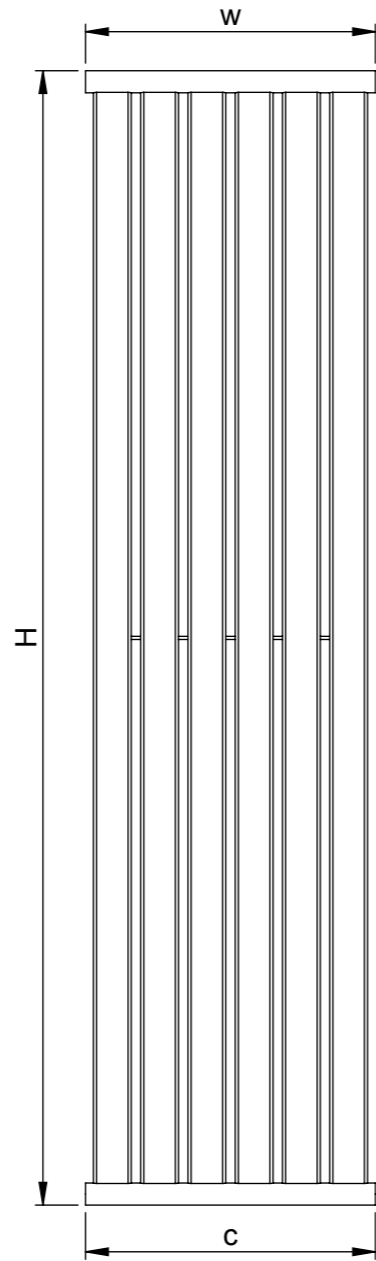
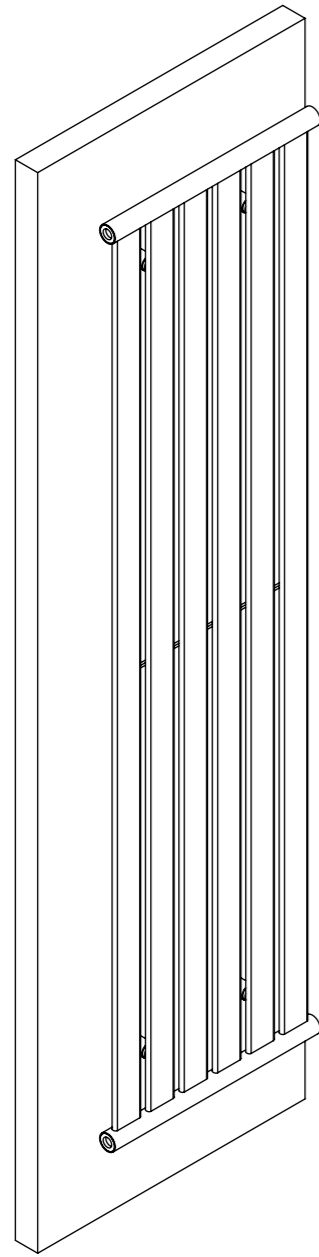
Vermogen (Watt) berekend op 75/65/20 graden Delta T50  
 Bij 90/70/20 graden vermenigvuldig het vermogen met 1.26

# AIDA

The contents of this document are property of Termosan® and should not be copied, reproduced or disclosed to a third party without written consent of the proprietor.

www.carisa.com.tr

www.termosan.com  
info@termosan.com



Product Code	Width	Height	Depth	Connection Centers	Tube Quantity	Assembly Axis		Weight kg.	Water Capacity lt.
	W	H	D	C		S	L		
AID0310180004	310	1800	35	310	4	1530	225	11,4	3,3
AID0310200004	310	2000	35	310	4	1730	225	12,5	3,6
AID0460180006	460	1800	35	460	6	1530	225	17,0	4,9
AID0460200006	460	2000	35	460	6	1730	225	18,8	5,4
AID0310180008	610	1800	35	610	8	1530	375	22,7	6,5
AID0310200008	610	2000	35	610	8	1730	375	24,9	7,2

Vermogen (Watt) berekend op 75/65/20 graden Delta T50.  
Bij 90/70/20 graden vermenigvuldig het vermogen met 1,26