

aquila**STRENGTHEN YOUR VISION**

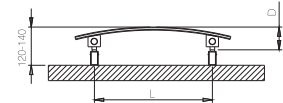
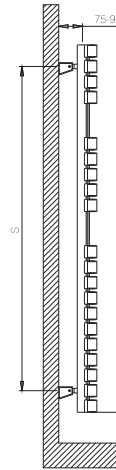
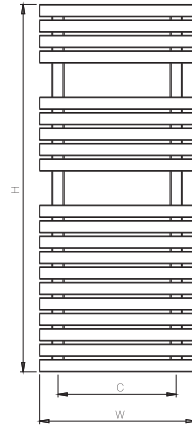
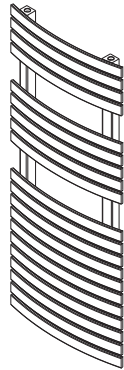
Aquila is the radiator that will complete the modern view of your house with its plain style. For those with vision.



technical specs page 104



aquila



material	finish	electric version	wall installation	warranty
stainless steel	satin polished	600 W 900 W 1200 W	vertical	10 years

max. working pressure: 10 bar
 max. working temperature: 95°C
 all dimensions are in mm.
 connections 1/2"

Product Code	Width	Height	Depth	Connection Centers	Tube Quantity	Assembly Axis		Weight	Water Capacity	THERMAL POWER		
	W	H	D	C		S	L	kg.	lt.	btu	k/cal	watt
AQU050007901409	500	790	70	380	14	650	380	11,6	3,3	2276	574	667
AQU050011902009	500	1190	70	380	20	1050	380	16,8	4,9	3294	830	965
AQU050015402509	500	1540	70	380	25	1400	380	21,2	6,3	4162	1049	1220
AQU060007901409	600	790	85	480	14	650	480	12,5	3,7	2621	660	768
AQU060011902009	600	1190	85	480	20	1050	480	17,8	5,4	3788	955	1110
AQU060015402509	600	1540	85	480	25	1400	480	22,2	7,1	4778	1204	1400

Vermogen (Watt) berekend op 75/65/20 graden Delta T50
 Bij 90/70/20 graden vermenigvuldigd het vermogen met 1.26

AQUILA

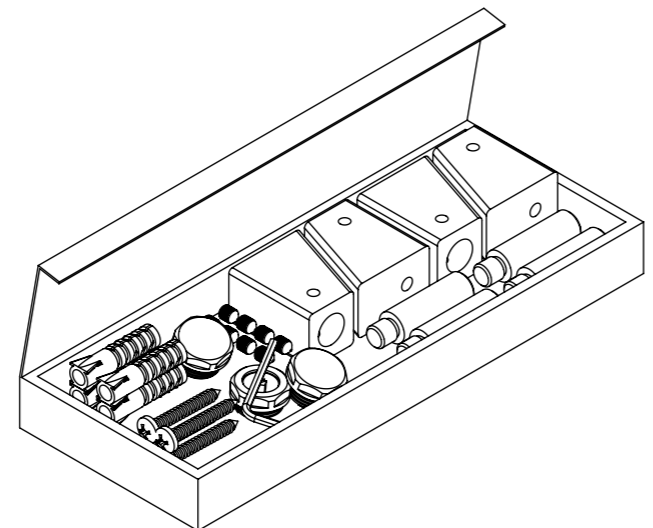
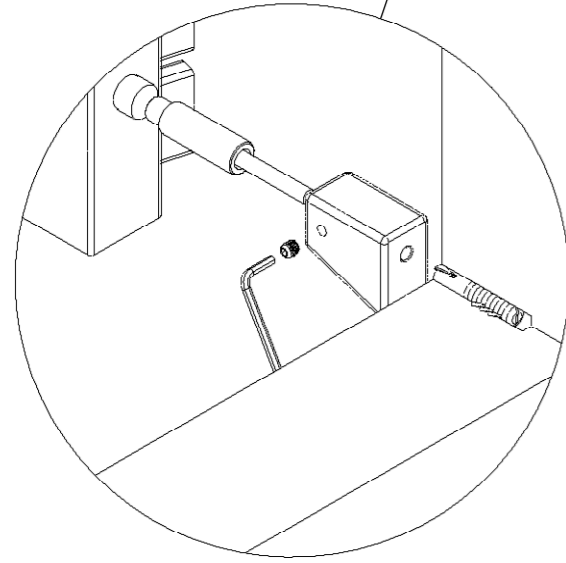
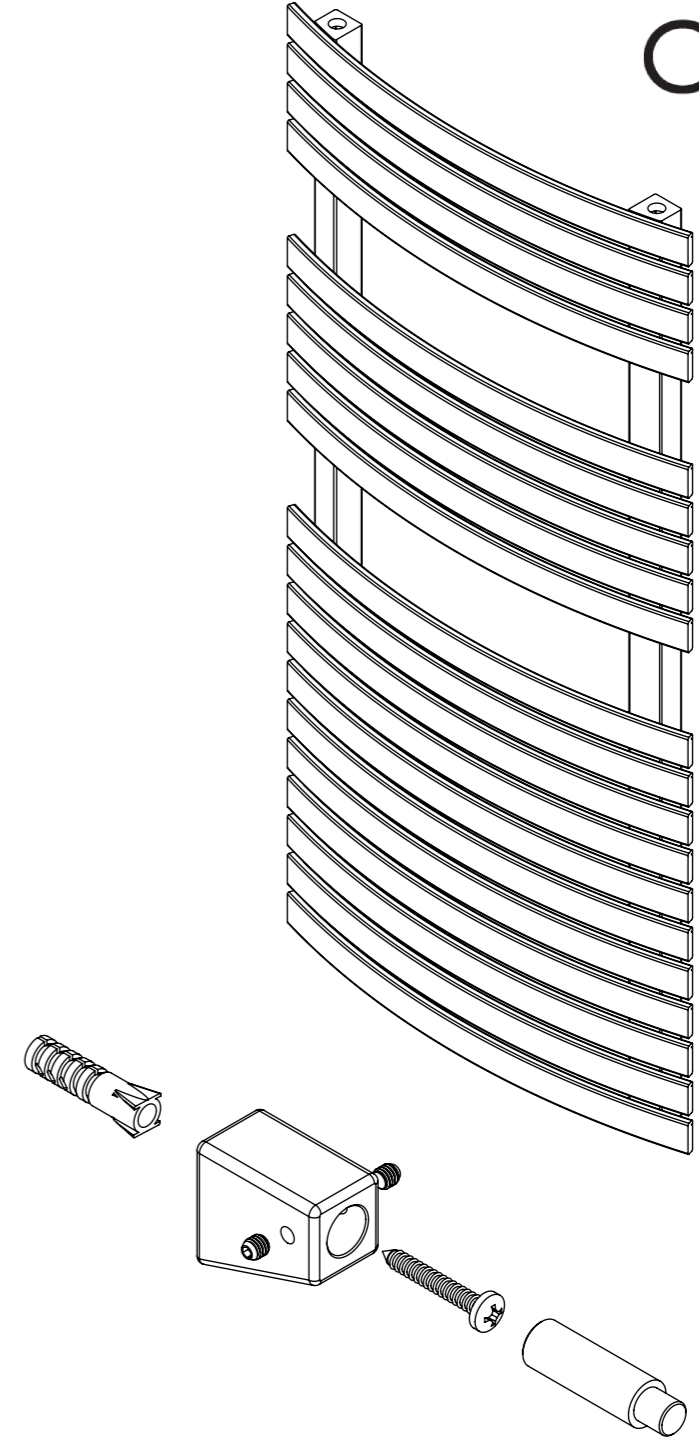
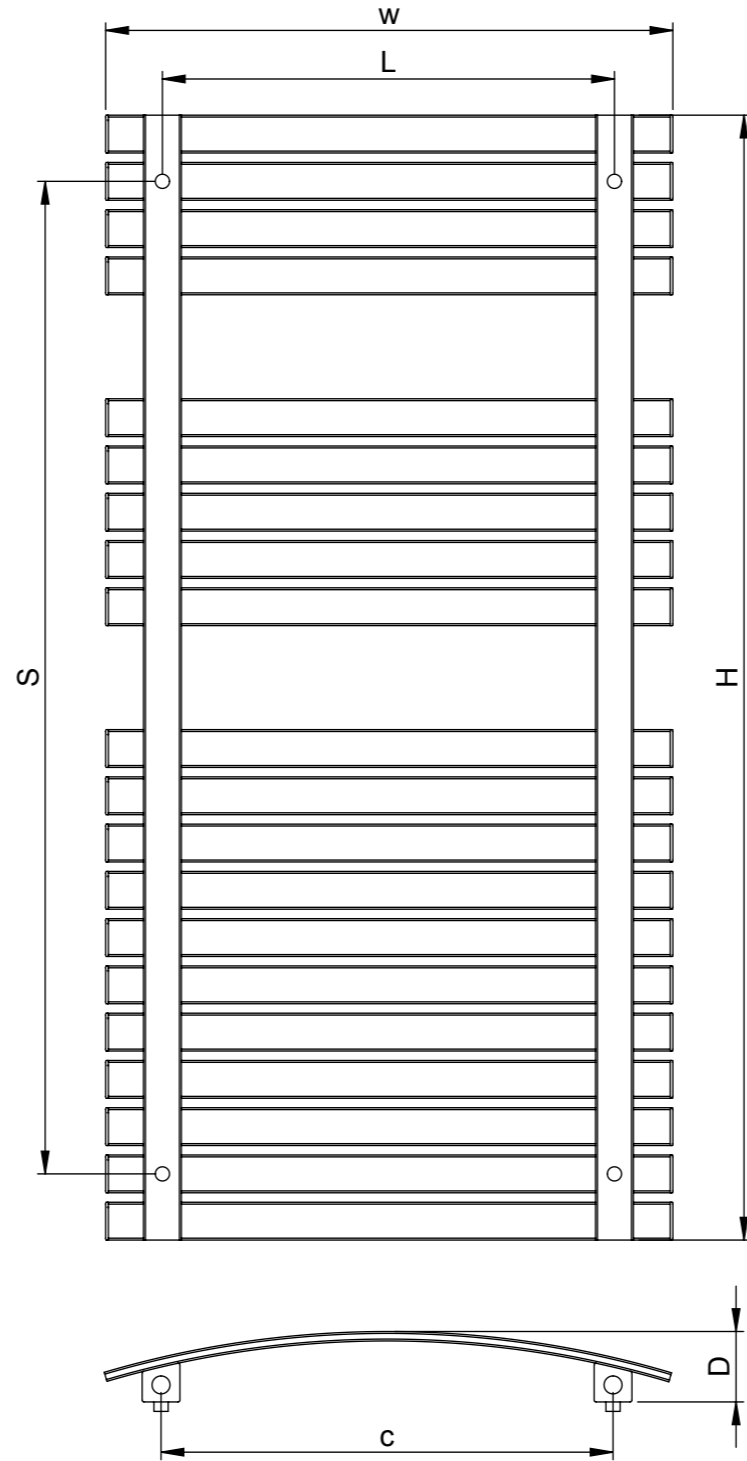
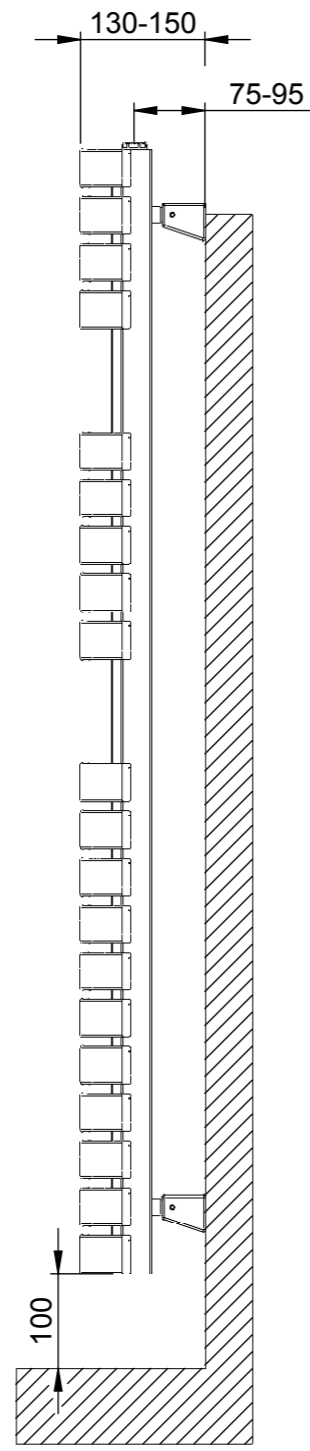
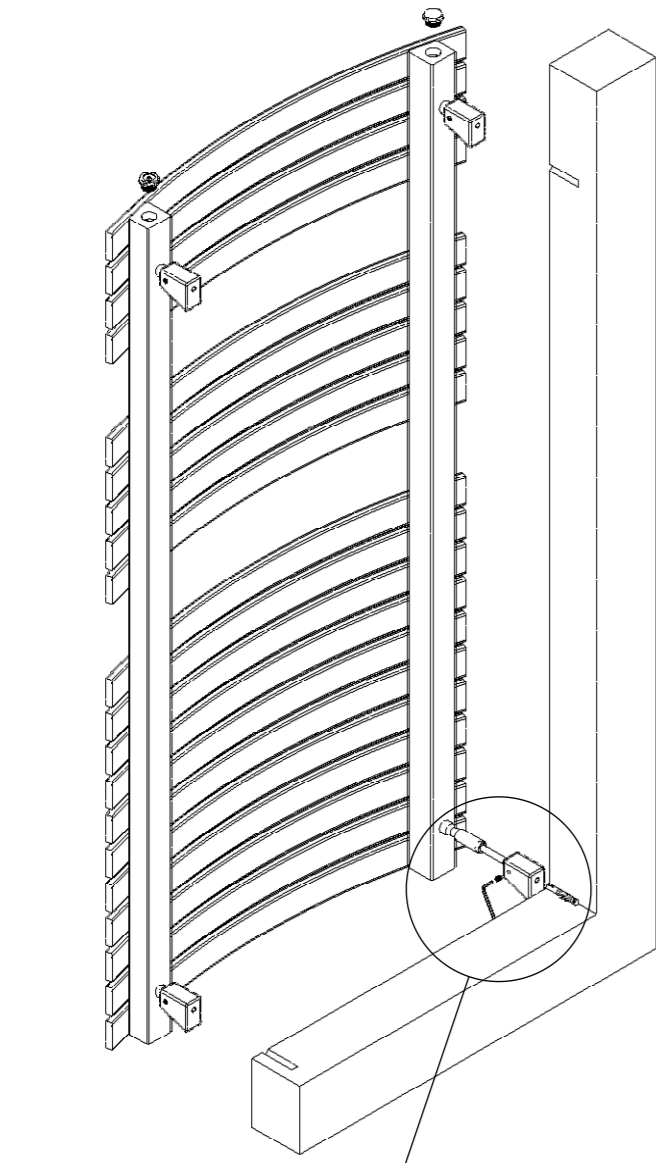


carisa[®]
design radiator

The contents of this document are property of Termosan[®] and should not be copied, reproduced or disclosed to a third party without written consent of the proprietor.

www.carisa.com.tr

www.termosan.com
info@termosan.com



Product Code	Width	Height	Depth	Connection Centers	Tube Quantity	Assembly Axis		Weight	Water Capacity
	W	H	D	C		S	L	kg.	lt.
AQU050007901409	500	790	70	380	14	650	380	11,6	3,3
AQU050011902009	500	1190	70	380	20	1050	380	16,8	4,9
AQU050015402509	500	1540	70	380	25	1400	380	21,2	6,3
AQU060007901409	600	790	85	480	14	650	480	12,5	3,7
AQU060011902009	600	1190	85	480	20	1050	480	17,8	5,4
AQU060015402509	600	1540	85	480	25	1400	480	22,2	7,1