

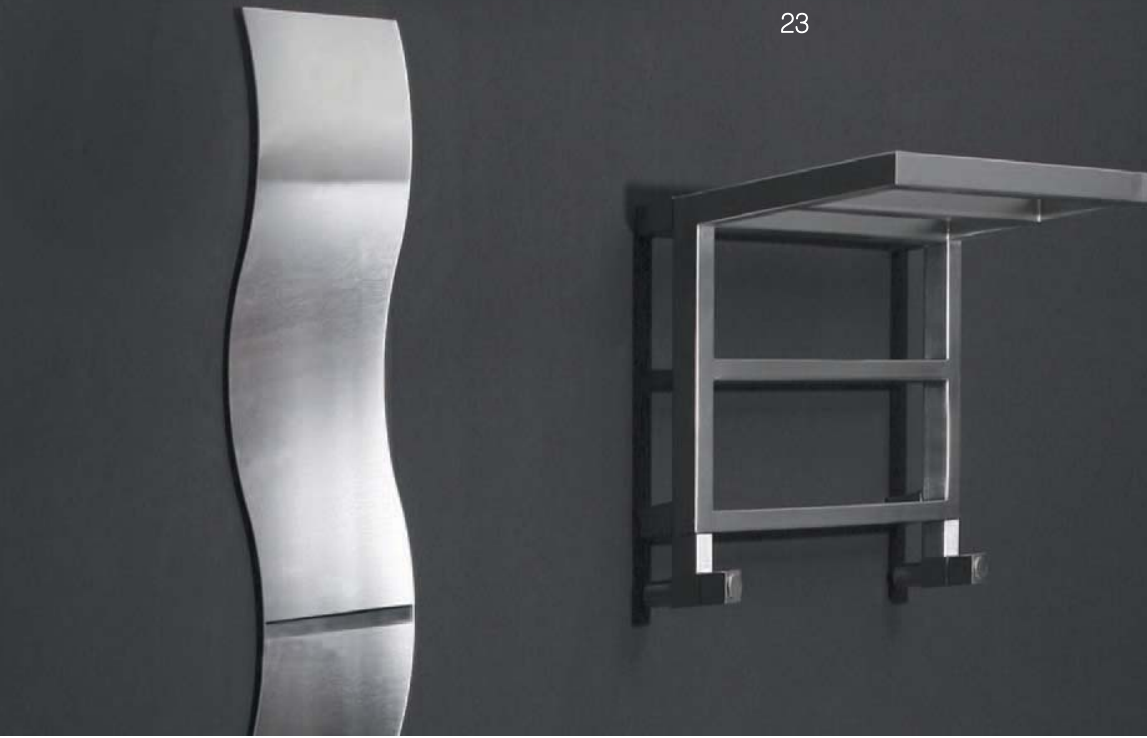
# astor X



## LADDER TO ELEGANCE

You will reach the peak of elegance with Astor X. With its simple design, this radiator is perfect - especially for those who are especially about functionality.





## astor LX

### TOWELS IN REST

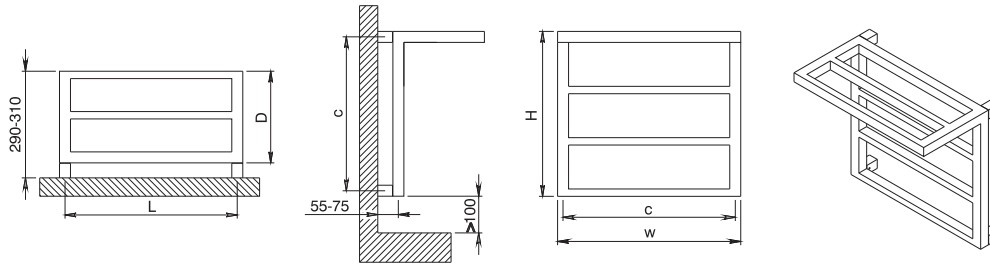
As with all the Astor radiators, Astor LX is ideal to warm your towels on its shelf. Perfect craftsmanship meets with practical functionality.

## astor UX

### STYLISH SHELVES

Different from other Astor radiators, Astor UX has two shelves that you can warm your towels on. Perfect for larger families and busy bathrooms.



**astor LX**

material	finish	electric version	wall installation	warranty
stainless steel	satin polished	300 W	vertical	5 years

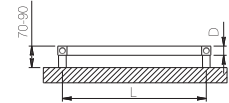
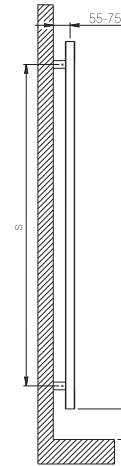
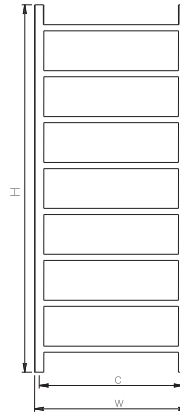
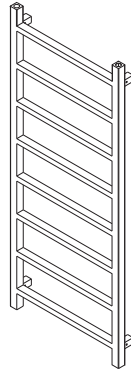
max. working pressure: 10 bar  
 max. working temperature: 95°C  
 all dimensions are in mm.  
 connections 1/2"

Product Code	Width	Height	Depth	Connection Centers	Tube Quantity	Assembly Axis		Weight	Water Capacity	THERMAL POWER		
	W	H	D	C		S	L	kg.	lt.	btu	k/cal	watt
ALX050003100509	500	310	250	470	5	280	470	4,7	2,1	625	157	183
ALX050004500609	500	450	250	470	6	420	470	5,5	2,4	754	190	221

Vermogen (Watt) berekend op 75/65/20 graden Delta T50  
 Bij 90/70/20 graden vermenigvuldig het vermogen met 1.26



# astor X

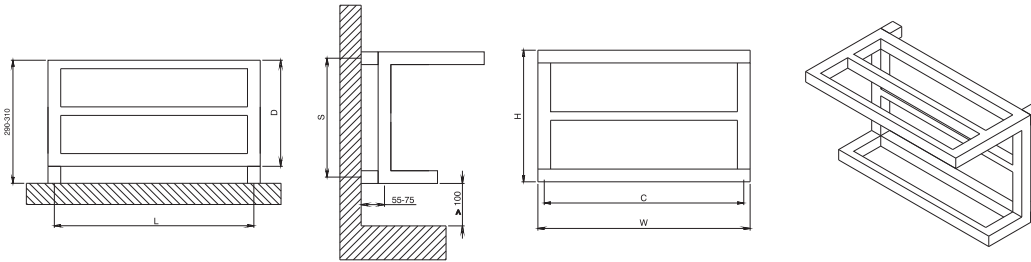


material	finish	electric version	wall installation	warranty
stainless steel	satin polished	300 W	vertical	5 years

max. working pressure: 10 bar  
 max. working temperature: 95°C  
 all dimensions are in mm.  
 connections 1/2"

Product Code	Width	Height	Depth	Connection Centers	Tube Quantity	Assembly Axis		Weight	Water Capacity	THERMAL POWER		
	W	H	D	C		S	L	kg.	lt.	btu	k/cal	watt
ASX050008000609	500	800	30	470	6	700	470	6,1	2,4	727	183	213
ASX050012000809	500	1200	30	470	8	1050	470	8,5	3,4	997	251	292

Vermogen (Watt) berekend op 75/65/20 graden Delta T50  
 Bij 90/70/20 graden vermenigvuldig het vermogen met 1.26



**astor UX**

material	finish	electric version	wall installation	warranty
stainless steel	satin polished	300 W	vertical	5 years

max. working pressure: 10 bar  
 max. working temperature: 95°C  
 all dimensions are in mm.  
 connections 1/2"

Product Code	Width	Height	Depth	Connection Centers	Tube Quantity	Assembly Axis		Weight	Water Capacity	THERMAL POWER		
	W	H	D	C		S	L	kg.	lt.	btu	k/cal	watt
AUX050003100609	500	310	250	470	6	280	470	5,6	2,6	731	184	214
AUX050004500709	500	450	250	470	7	420	470	6,5	2,8	850	214	249

Vermogen (Watt) berekend op 75/65/20 graden Delta T50  
 Bij 90/70/20 graden vermenigvuldig het vermogen met 1.26

# ASTOR LX

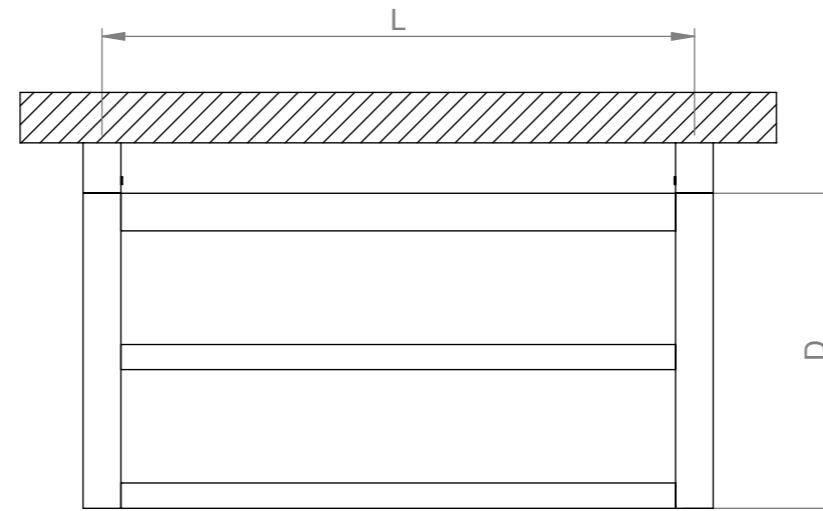
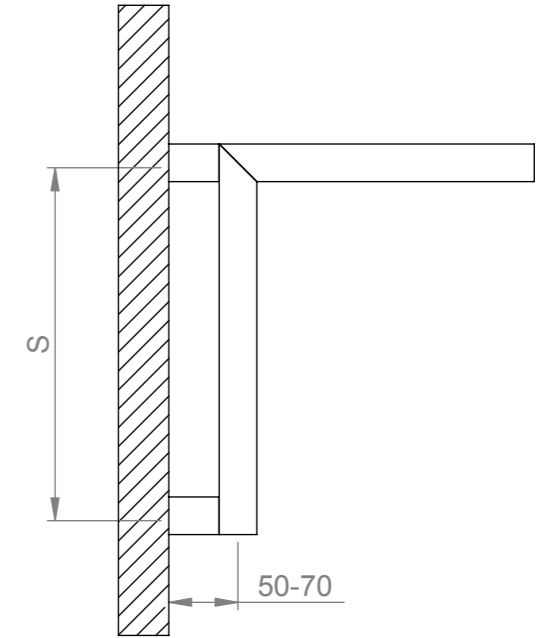
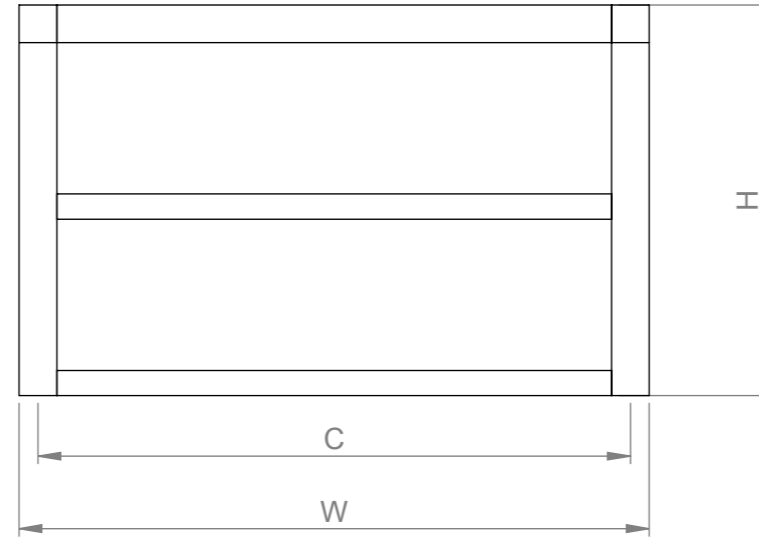
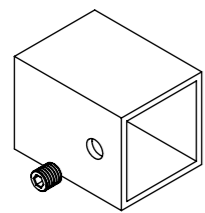
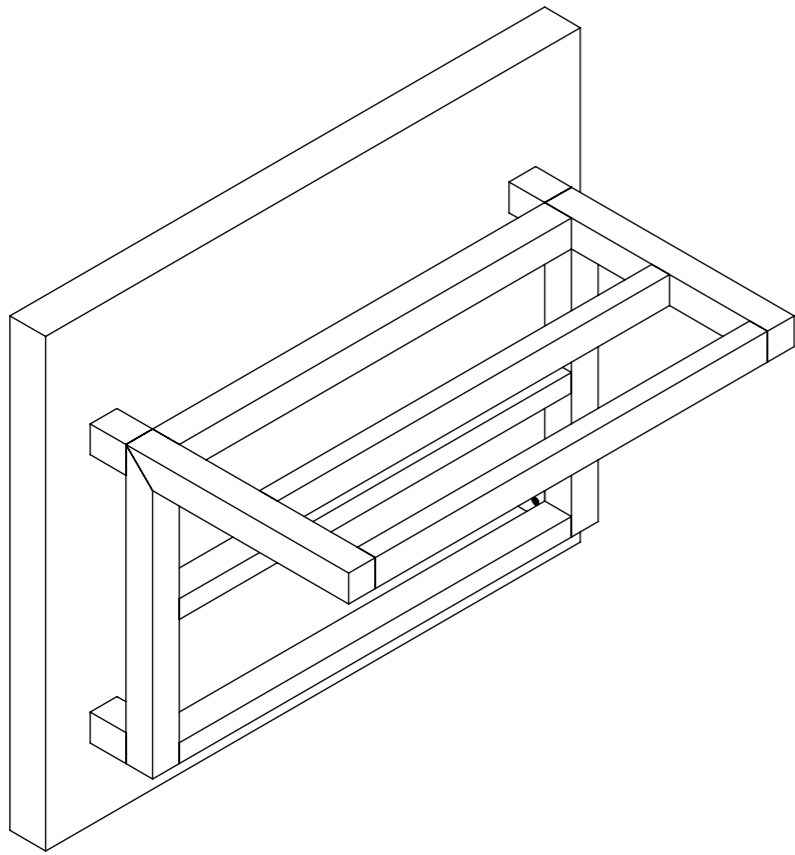


carisa<sup>®</sup>  
design radiator

The contents of this document are property of Termosan<sup>®</sup> and should not be copied, reproduced or disclosed to a third party without written consent of the proprietor.

www.carisa.com.tr

www.termosan.com  
info@termosan.com



Product Code	Width	Height	Depth	Connection Centers	Tube Quantity	Assembly Axis		Weight	Water Capacity
	W	H	D	C		S	L	kg.	lt.
ALX050003100609	500	310	250	470	6	280	470	3,9	2,201
ALX050004500709	500	450	250	470	7	420	470	4,9	2,618

# ASTOR UX

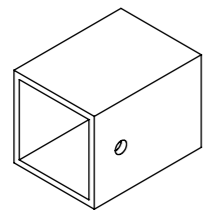
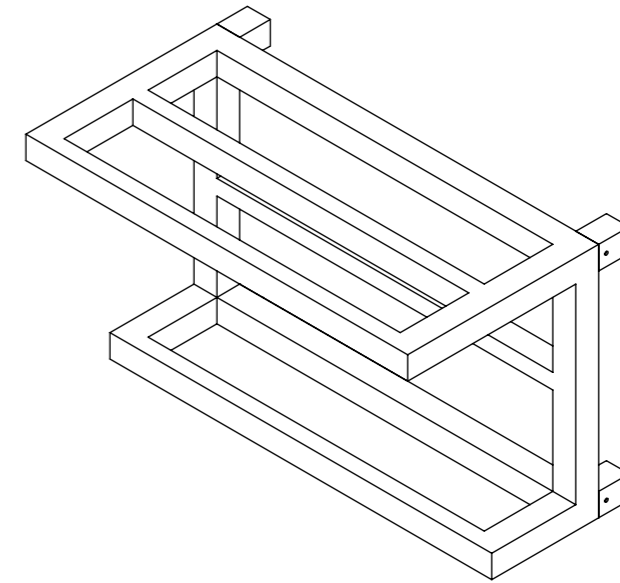
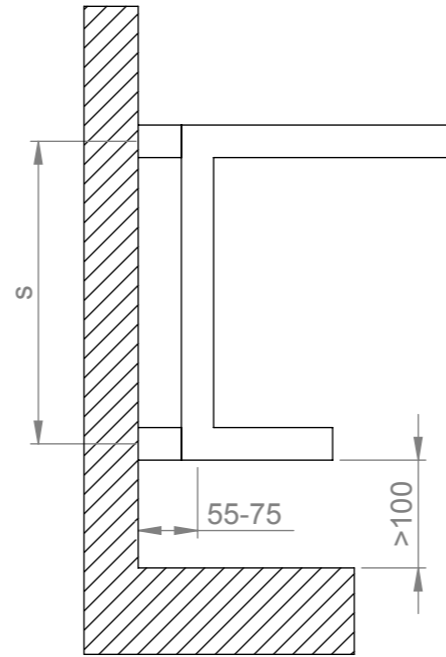
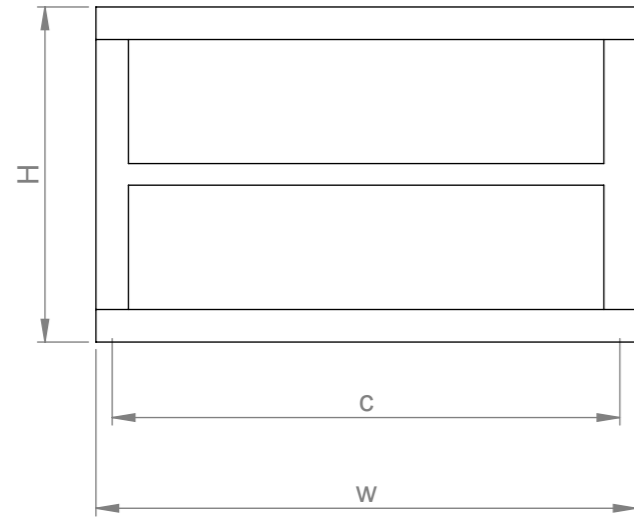


**carisa**<sup>®</sup>  
design radiator

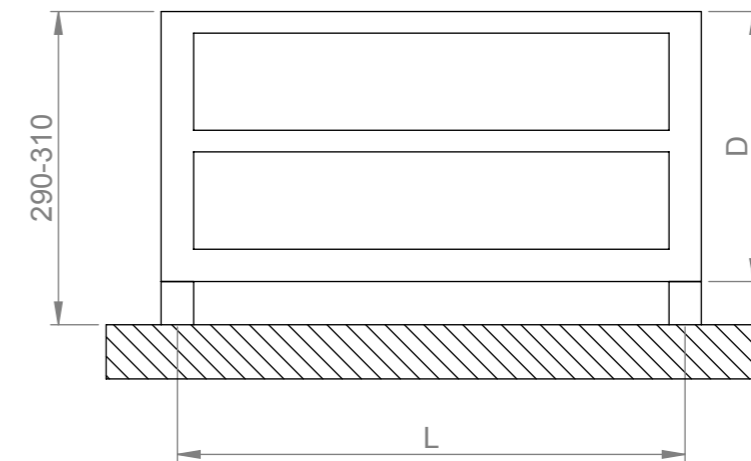
The contents of this document are property of **Termosan**<sup>®</sup> and should not be copied, reproduced or disclosed to a third party without written consent of the proprietor.

[www.carisa.com.tr](http://www.carisa.com.tr)

[www.termosan.com](http://www.termosan.com)  
[info@termosan.com](mailto:info@termosan.com)



x 4 Pcs.



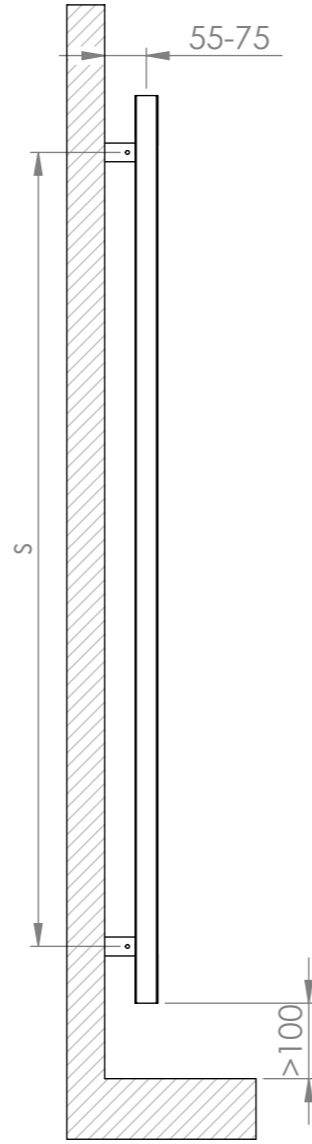
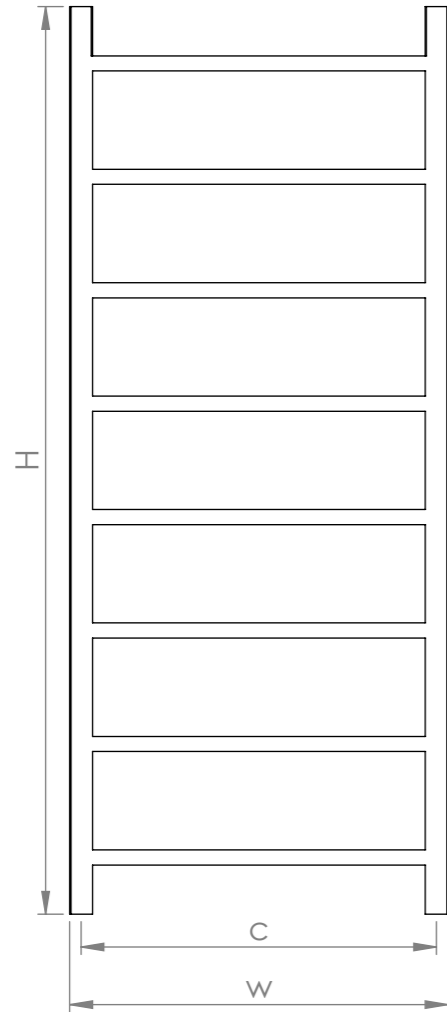
Product Code	Width	Height	Depth	Connection Centers	Tube Quantity	Assembly Axis		Weight	Water Capacity
	W	H	D	C		S	L	kg.	lt.
ALX050003100609	500	310	250	470	6	280	470	3,9	2,201
ALX050004500709	500	450	250	470	7	420	470	4,9	2,618

# ASTOR X

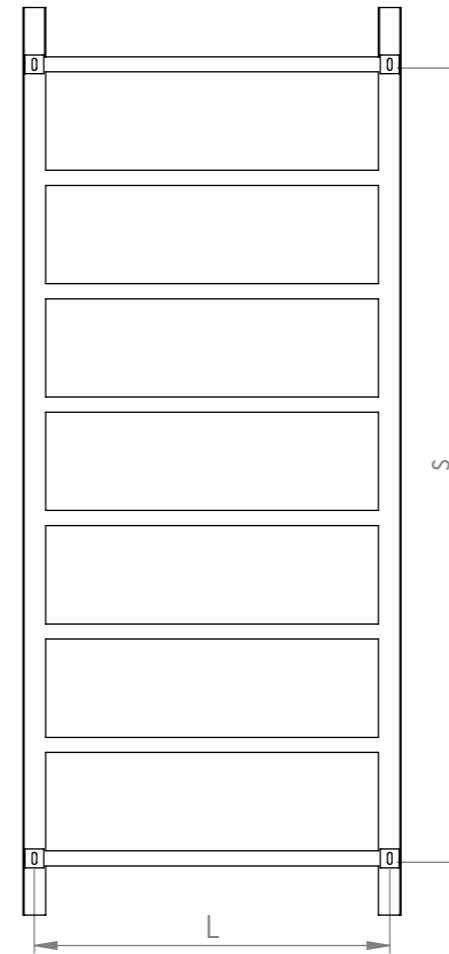


**carisa**  
design radiator

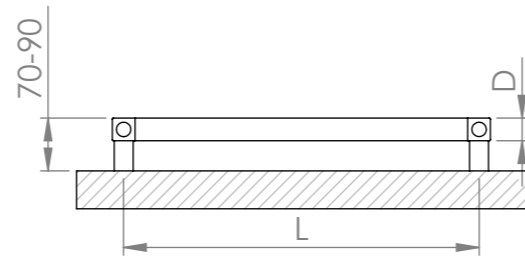
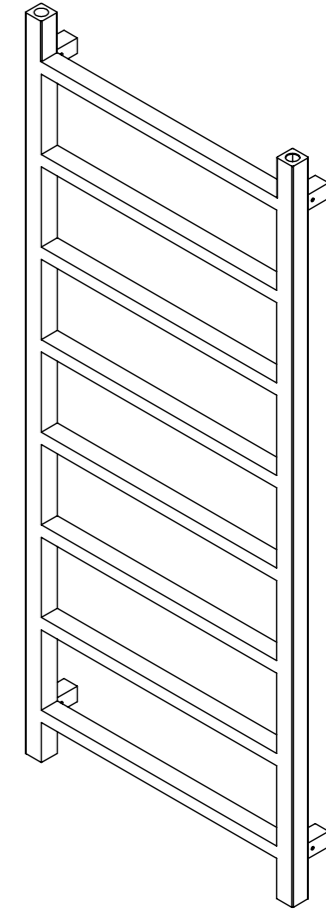
The contents of this document are property of Termosart® and could not be copied, reproduced or disclosed to a third party without written consent of the proprietor.





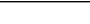


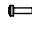


Side View



Assembly Axis



Top View

- 1-  Allen Key 1 pcs.
- 2-  Brackets 4 pcs
- 3-  Short Bolt 4 pcs
- 4-  Set Screw 8 pcs
- 5-  Wall Plug 4 pcs
- 6-  Screw, dia 6mm. 4 pcs.
- 7-  Air Vent 1 pcs
- 8-  Blanking Plug 1 pcs

Inlet / Outlet : 1/2" BSP(British Standard Pipe)  
DIN ISO 228

Product Code	Width	Height	Conn. Centers	Assembly Axis		Depth	No. Of Tubes
	W	H	C	S	L	D	
ASX050008000609	500	800	470	700	470	30	6
ASX050012000809	500	1200	470	1050	470	30	8