

boreas

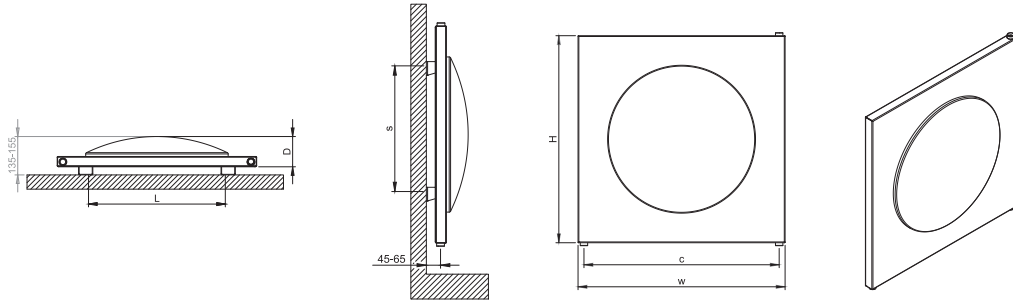


CENTER OF MAGNETISM

Boreas is a radiator that suits any room with its stylish design and high heat capacity. The contrasting geometry will mesmerize you.



technical specs page 125



boreas

| material | finish | electric version | wall installation | warranty |
|--------------------------|----------------|------------------|-------------------|----------|
| stainless steel steel | satin polished | 600 W | vertical | 5 years |

max. working pressure: 10 bar
 max. working temperature: 95°C
 all dimensions are in mm.
 connections 1/2"

| Product Code | Width | Height | Depth | Connection Centers | Tube Quantity | Assembly Axis | | Weight | Water Capacity | THERMAL POWER | | |
|-----------------|-------|--------|-------|--------------------|---------------|---------------|-----|--------|----------------|---------------|-------|------|
| | W | H | D | C | | S | L | kg. | lt. | btu | k/cal | watt |
| BOR070007000009 | 700 | 700 | 130 | 660 | - | 490 | 500 | 17,5 | 4,7 | 1712 | 431 | 501 |

Vermogen (Watt) berekend op 75/65/20 graden Delta T50
 Bij 90/70/20 graden vermenigvuldig het vermogen met 1.26

BOREAS

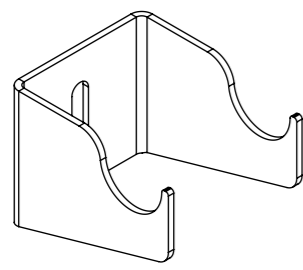
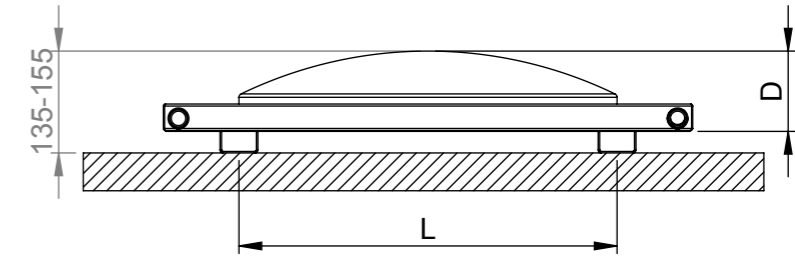
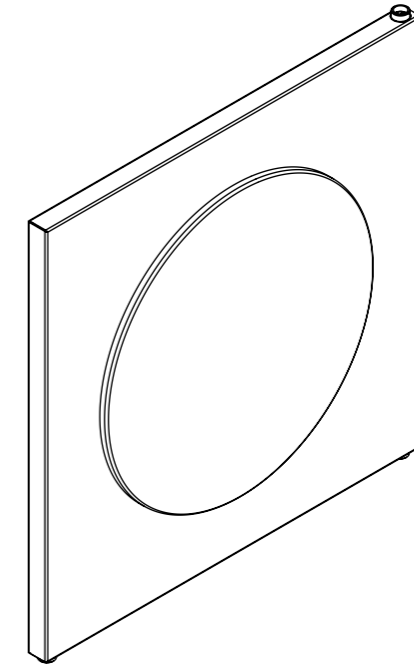
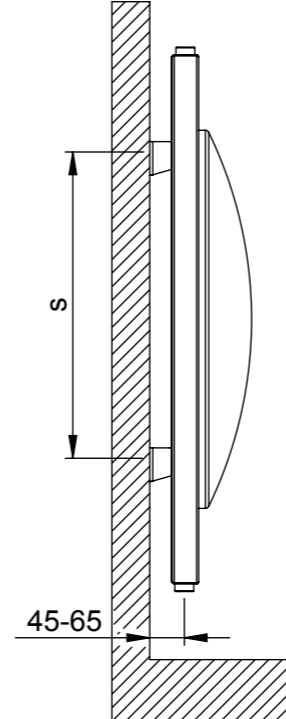
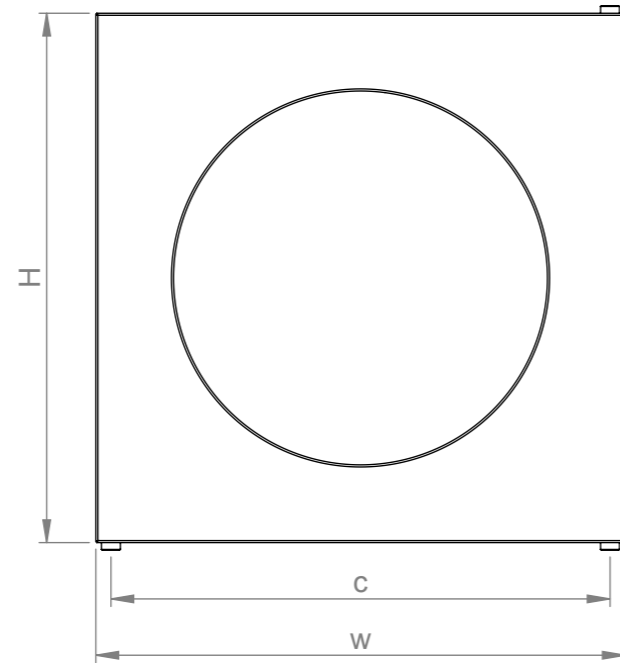
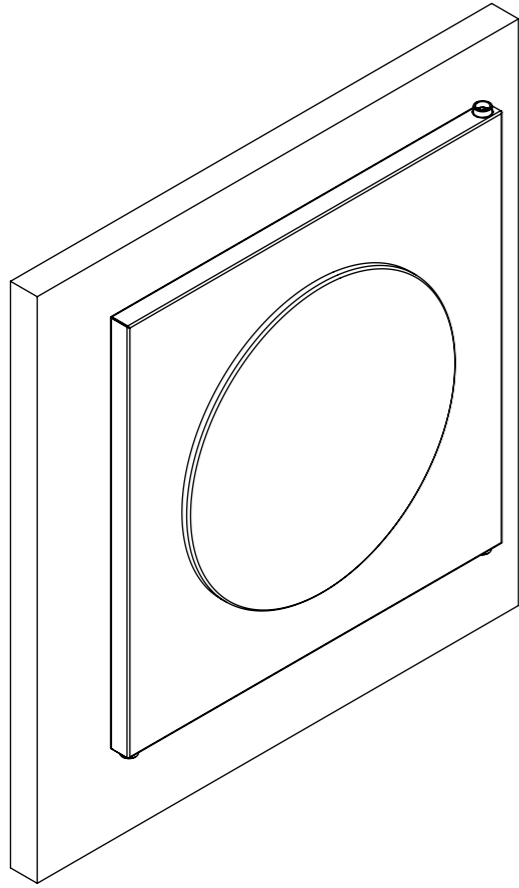


carisa[®]
design radiator

The contents of this document are property of **Termosan**[®] and should not be copied, reproduced or disclosed to a third party without written consent of the proprietor.

www.carisa.com.tr

www.termosan.com
info@termosan.com



x4 Pcs.

| Product Code | Width | Height | Depth | Connection Centers | Tube Quantity | Assembly Axis | | Weight | Water Capacity |
|-----------------|-------|--------|-------|--------------------|---------------|---------------|-----|--------|----------------|
| | W | H | D | C | | S | L | kg. | lt. |
| BOR070007000009 | 700 | 700 | 130 | 660 | - | 490 | 500 | 18 | 5 |