

25

colosseum

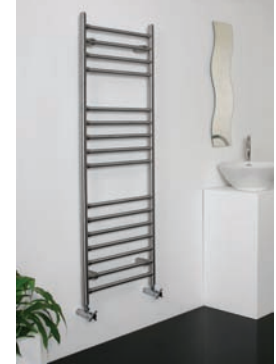
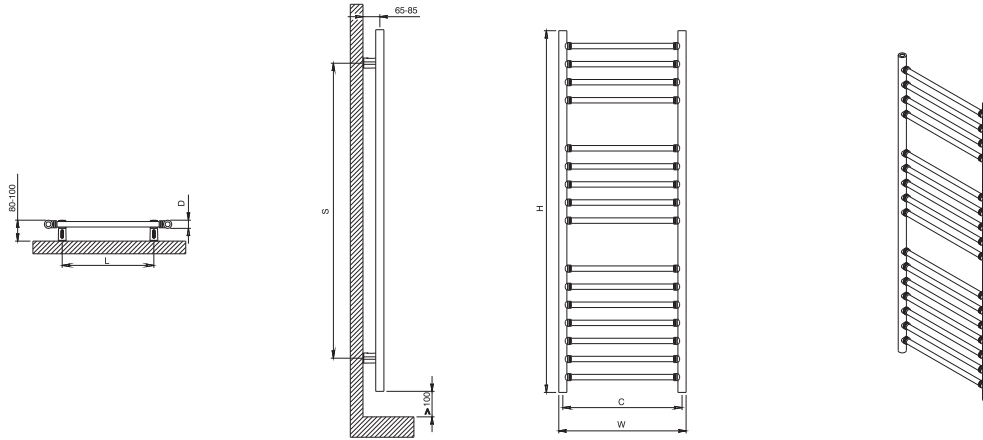


GRANDEUR OF CLASSICISM

Colosseum is one of the classic designs suiting every type of home and every size of room. It has been created to suit modern and traditional tastes, wherever it is used.



technical specs page 107



colosseum

material	finish	electric version	wall installation	warranty
stainless steel	satin polished	300 W 600 W	vertical	10 years

max. working pressure: 10 bar
 max. working temperature: 95°C
 all dimensions are in mm.
 connections 1/2"

Product Code	Width	Height	Depth	Connection Centers	Tube Quantity	Assembly Axis		Weight	Water Capacity	THERMAL POWER		
	W	H	D	C		S	L	kg.	lt.	btu	k/cal	watt
COL050007000809	500	700	32	468	8	440	360	5,2	1,8	846	213	248
COL050010501209	500	1050	32	468	12	790	360	7,9	2,8	1270	320	372
COL050014201609	500	1420	32	468	16	1160	360	10,5	3,7	1703	429	499
COL060007000809	600	700	32	568	8	440	460	5,8	2,1	945	238	277
COL060010501209	600	1050	32	568	12	790	460	8,8	3,1	1420	358	416
COL060014201609	600	1420	32	568	16	1160	460	11,7	4,1	1901	479	557

Vermogen (Watt) berekend op 75/65/20 graden Delta T50
 Bij 90/70/20 graden vermenigvuldig het vermogen met 1.26

COLOSSEUM

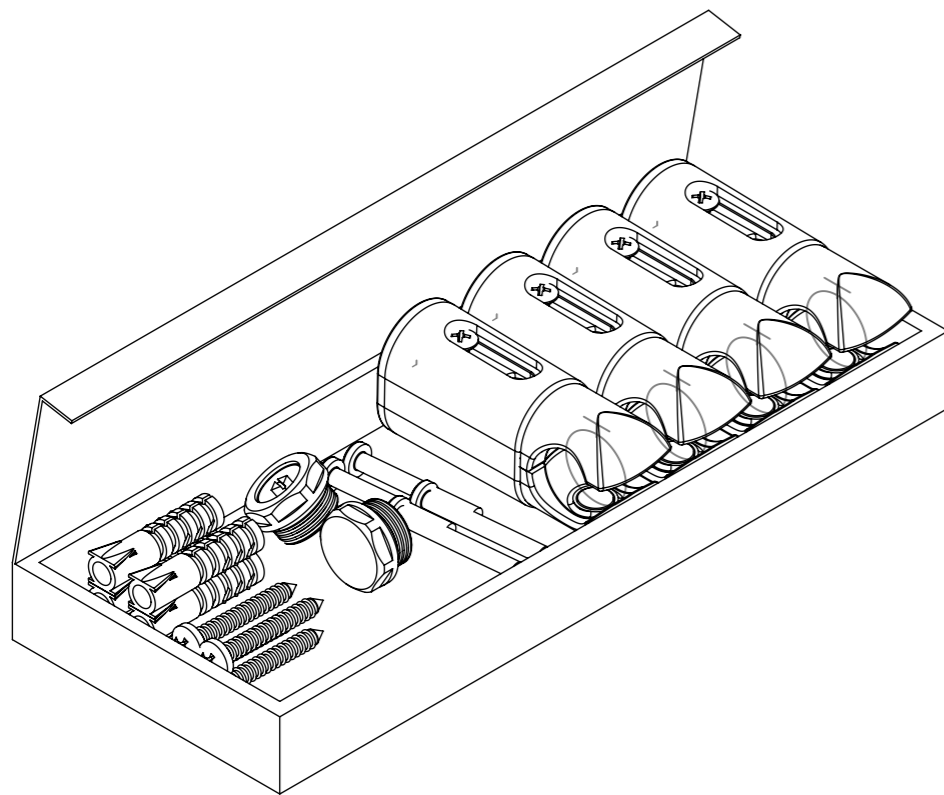
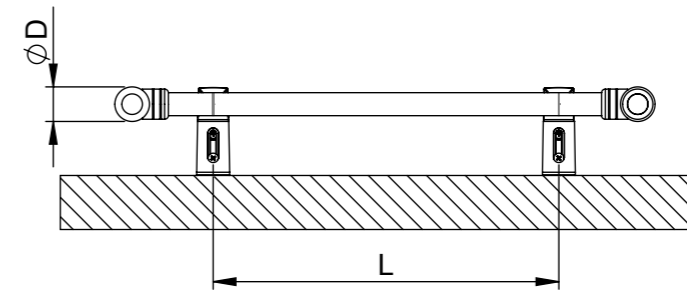
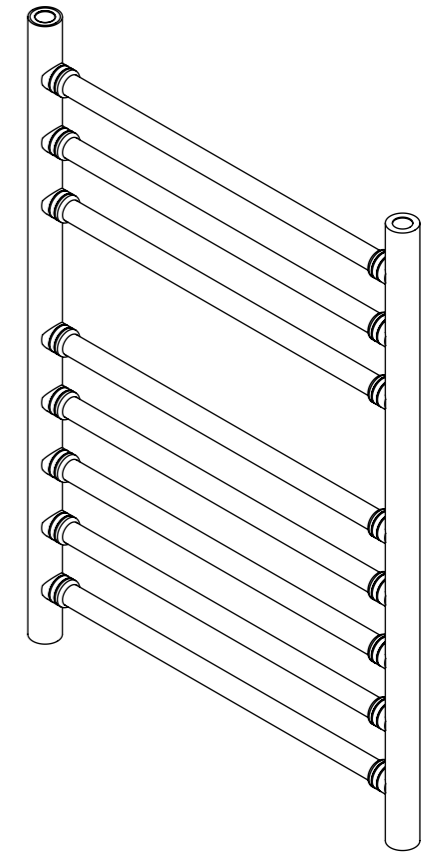
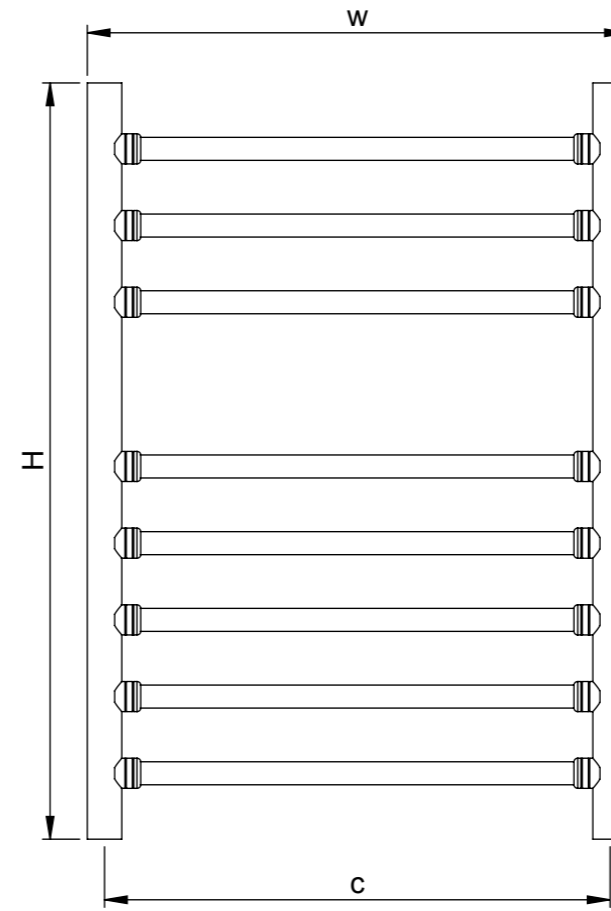
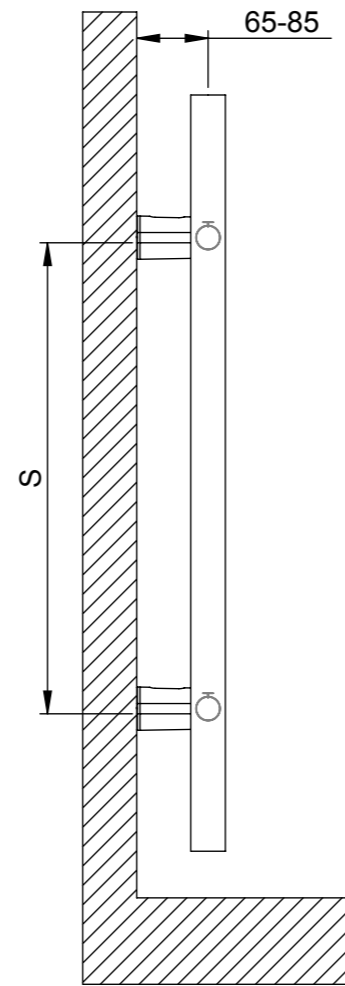
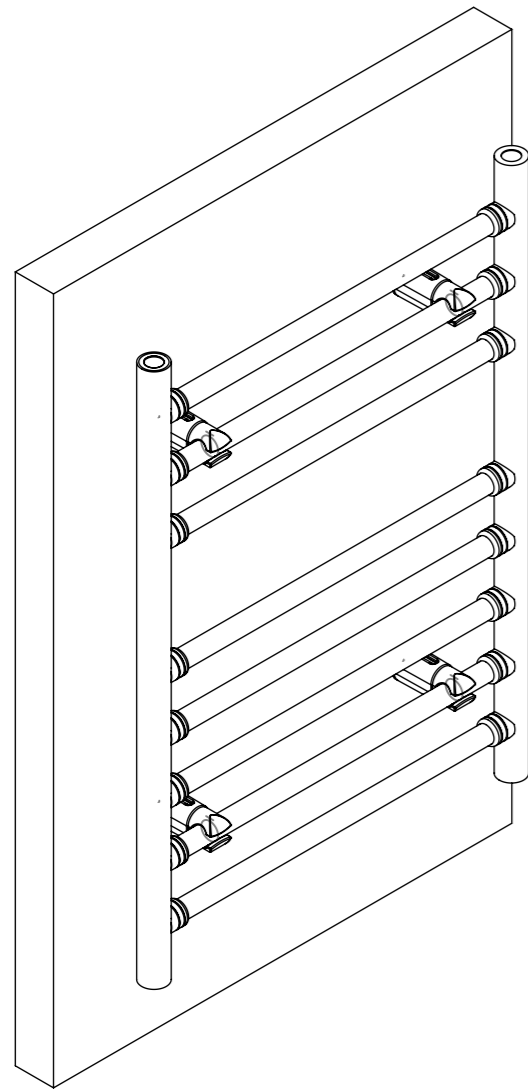


carisa[®]
design radiator

The contents of this document are property of Termosan[®] and should not be copied, reproduced or disclosed to a third party without written consent of the proprietor.

www.carisa.com.tr

www.termosan.com
info@termosan.com



Product Code	Width	Height	Depth	Connection Centers	Tube Quantity	Assembly Axis		Weight	Water Capacity
	W	H	D	C		S	L	kg.	lt.
COL050007000809	500	700	32	468	8	440	360	5,2	1,8
COL050010501209	500	1050	32	468	12	790	360	7,9	2,8
COL050014201609	500	1420	32	468	16	1160	360	10,5	3,7
COL060007000809	600	700	32	568	8	440	460	5,8	2,1
COL060010501209	600	1050	32	568	12	790	460	8,8	3,1
COL060014201609	600	1420	32	568	16	1160	460	11,7	4,1