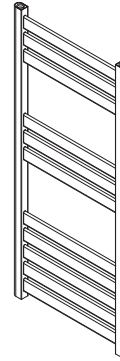
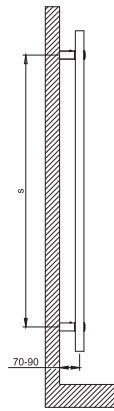
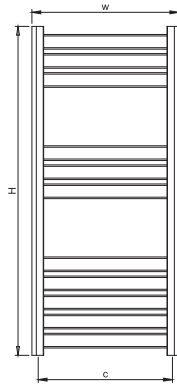
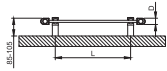


**HIGH POLISH, HIGH GLASS**

Djon is sheer elegance...but from simple roots. This classic design remains a popular favourite among followers of the Carisa line. Radiant warmth and perfectly heated towels.





djon

material	finish	electric version	wall installation	warranty
steel	RAL painted chrome plated	300 W 600 W	vertical	5 years

max. working pressure: 10 bar
all dimensions are in mm.
max. working temperature: 95°C
connections 1/2"

Product Code	Width	Height	Depth	Connection Centers	Tube Quantity	Assembly Axis		Weight	Water Capacity	THERMAL POWER (Painted)			THERMAL POWER (Chrome Plated)		
	W	H	D	C		S	L	kg.	lt.	btu	k/cal	watt	btu	k/cal	watt
DIO0500068807	500	688	30	460	7	503	360	5,7	1,7	1079	272	316	844	213	247
DIO0500111811	500	1118	30	460	11	950	360	9,1	2,7	1713	432	502	1341	338	393
DIO0500172017	500	1720	30	460	17	1536	360	14,2	4,1	2644	666	775	2069	521	606

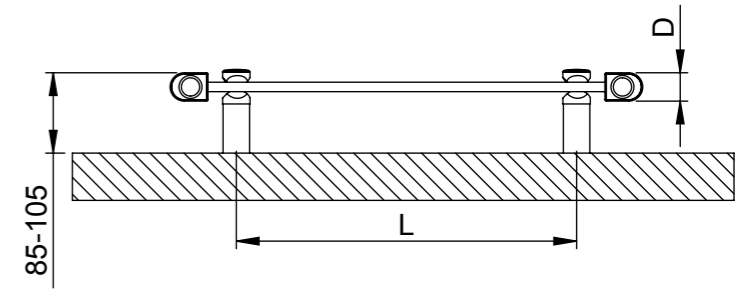
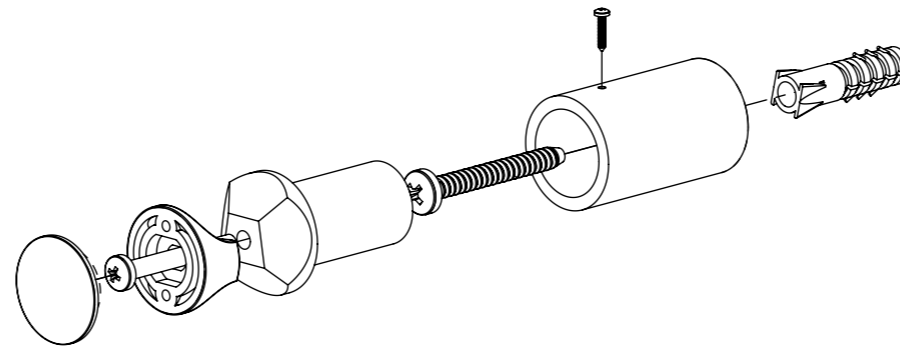
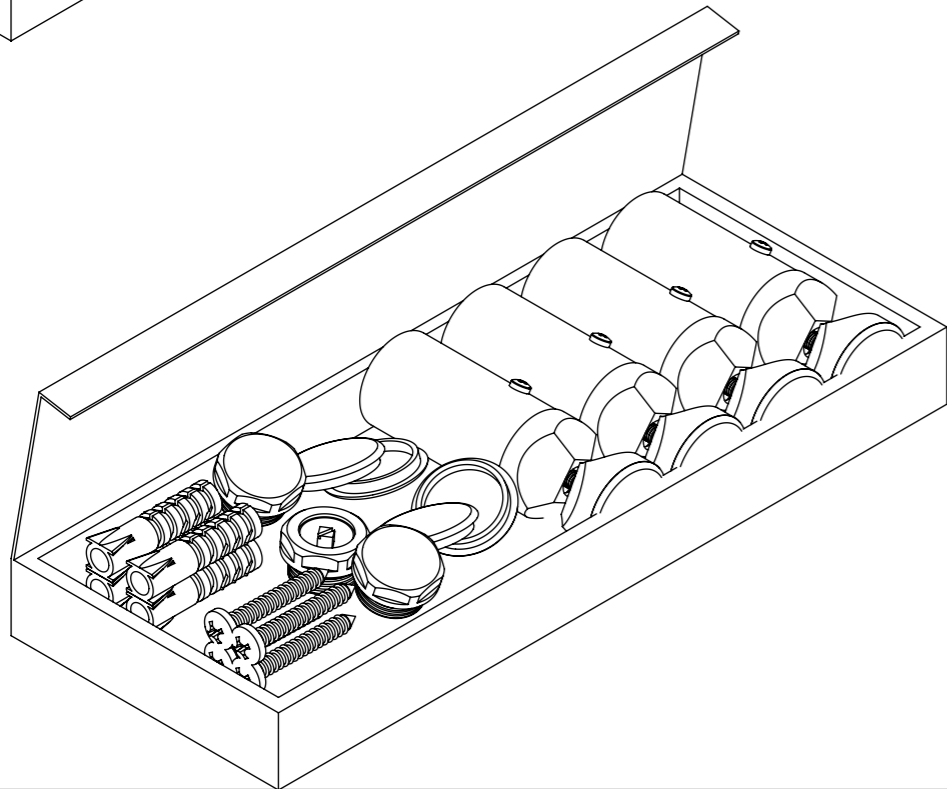
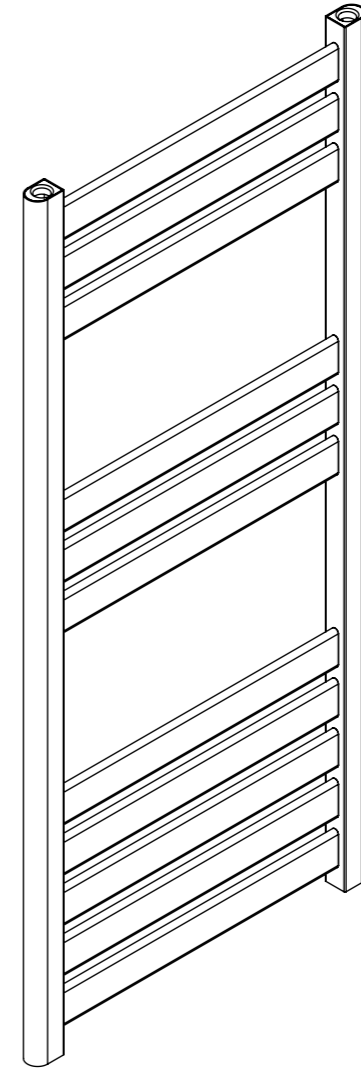
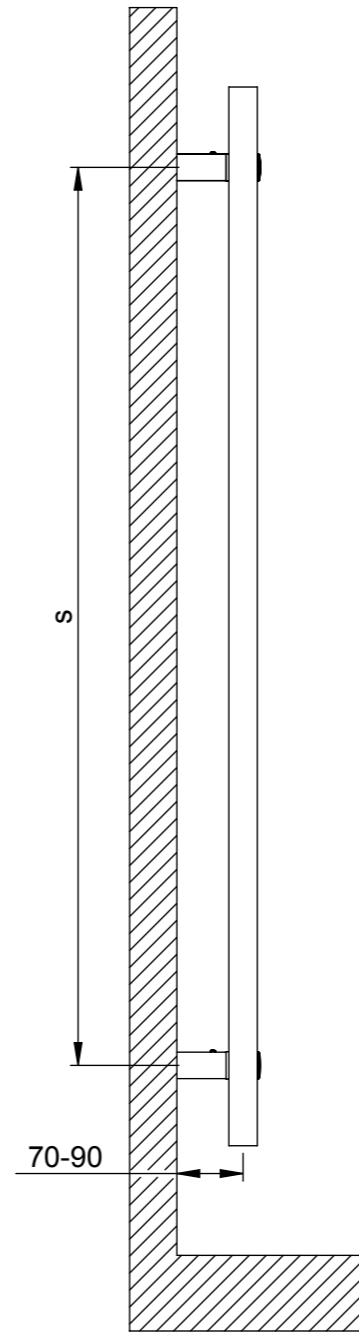
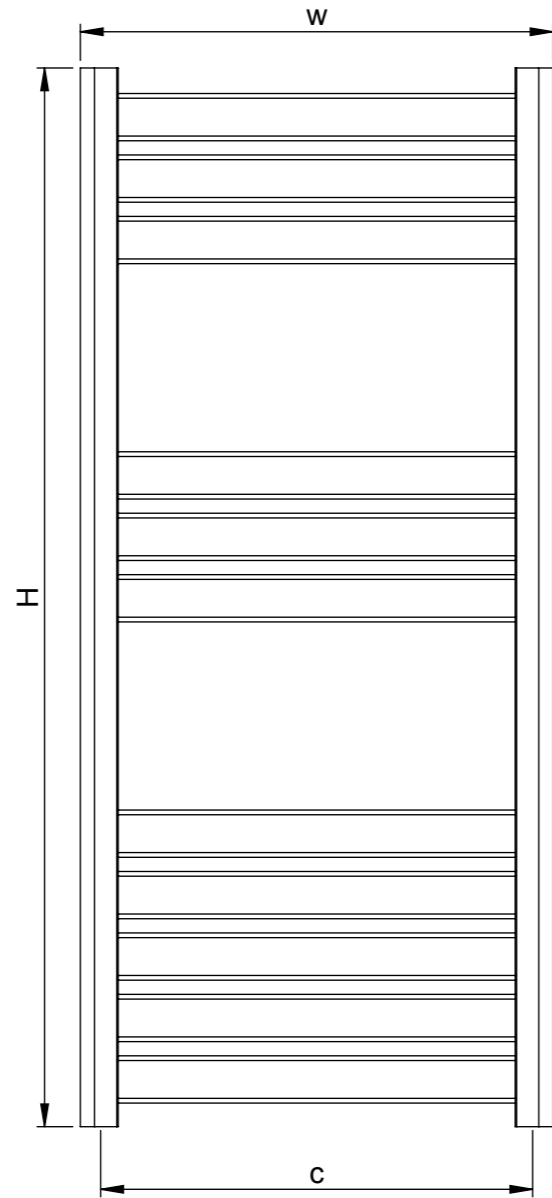
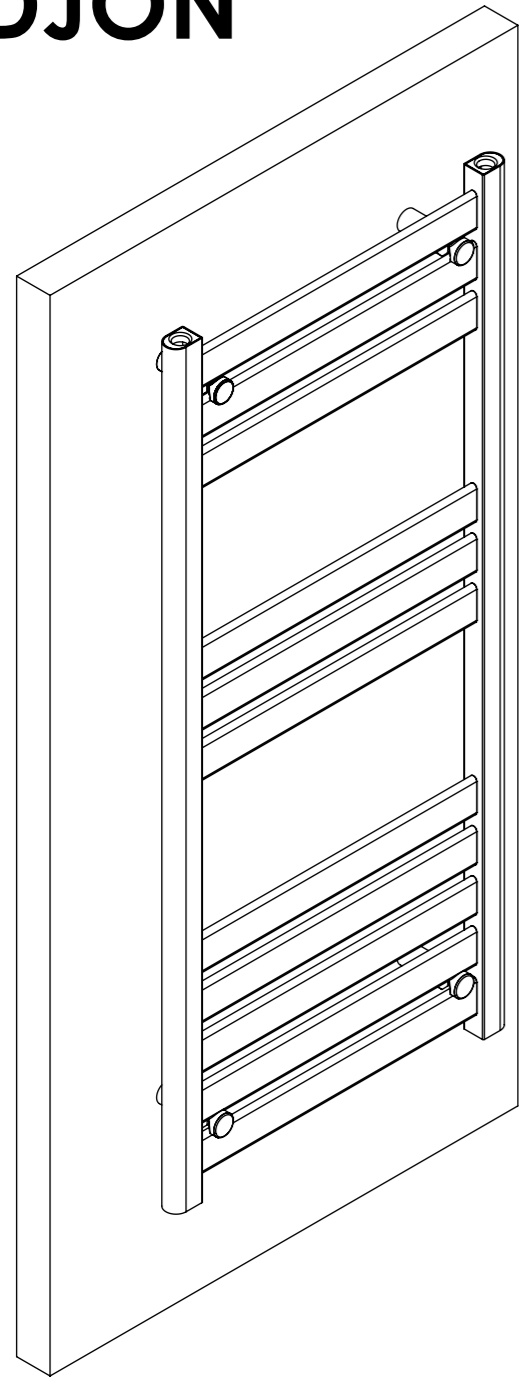
Vermogen (Watt) berekend op 75/65/20 graden Delta T50
Bij 90/70/20 graden vermenigvuldig het vermogen met 1.26

DJON

The contents of this document are property of Termosan® and should not be copied, reproduced or disclosed to a third party without written consent of the proprietor.

www.carisa.com.tr

www.termosan.com
info@termosan.com



Product Code	Width	Height	Depth	Connection Centers	Tube Quantity	Assembly Axis		Weight	Water Capacity
	W	H	D	C		S	L	kg.	lt.
RIO0500082014	500	820	30	460	14	652	450	7,5	3,3
RIO0500111818	500	1118	30	460	18	950	450	9,9	4,3
RIO0500142022	500	1420	30	460	22	1252	450	12,2	5,4