

**fion**



**SOFT AND SMOOTH**

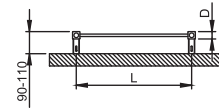
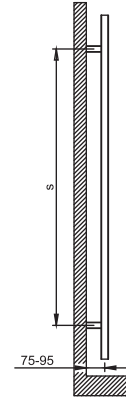
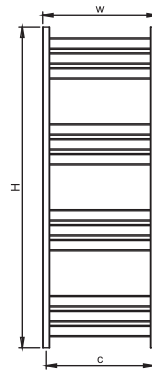
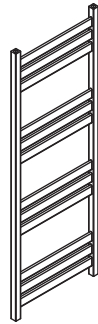
Simple lines and radiant heat make for classic function with Fion. Time and time again, Carisa-lovers come back to this practical design.



technical specs page 102



**fion**



material	finish	electric version	wall installation	warranty
steel	RAL painted chrome plated	300 W 600 W	vertical	5 years

max. working pressure: 10 bar  
all dimensions are in mm.  
max. working temperature: 95°C  
connections 1/2"

Product Code	Width	Height	Depth	Connection Centers	Tube Quantity	Assembly Axis		Weight	Water Capacity	THERMAL POWER (Painted)			THERMAL POWER (Chrome Plated)		
	W	H	D	C		S	L	kg.	lt.	btu	k/cal	watt	btu	k/cal	watt
FIO0500100009	500	1000	35	470	9	750	470	7,8	2,1	1322	333	387	1035	261	303
FIO0500140012	500	1400	35	470	12	1125	470	11	2,9	1793	452	525	1403	353	411

Vermogen (Watt) berekend op 75/65/20 graden Delta T50  
Bij 90/70/20 graden vermenigvuldig het vermogen met 1.26

# FION

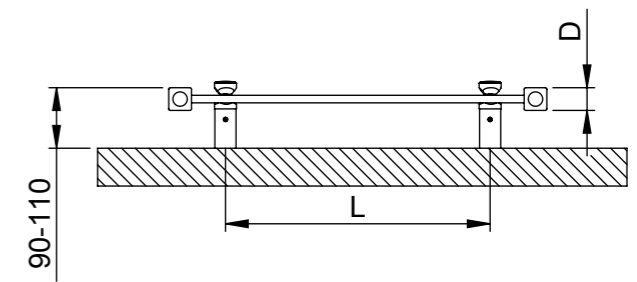
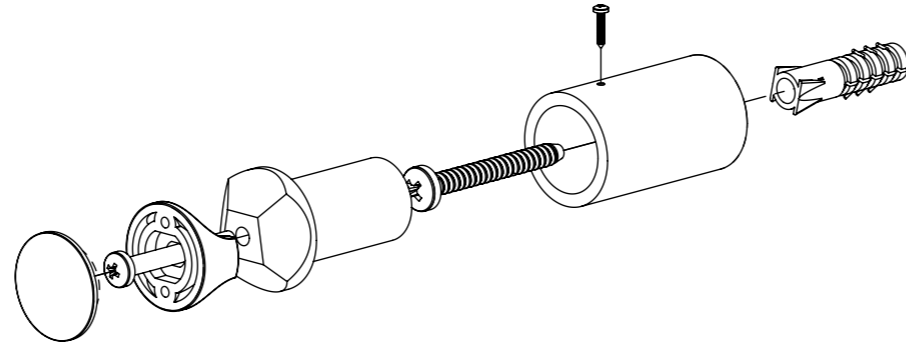
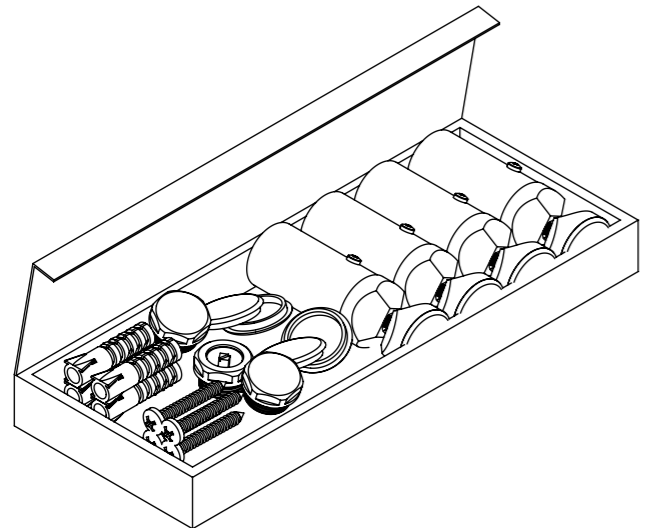
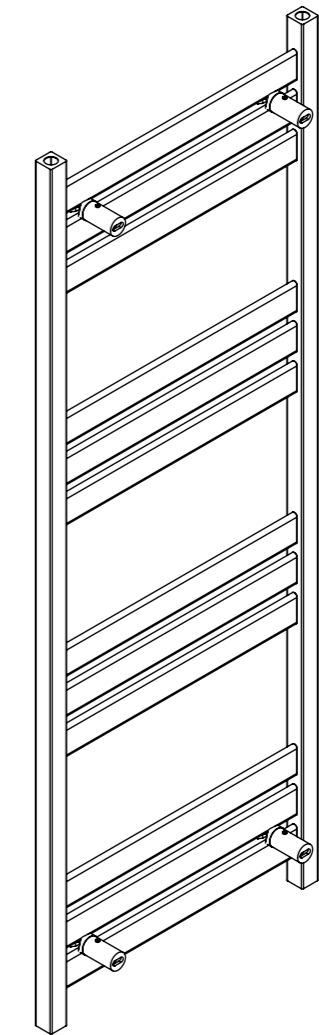
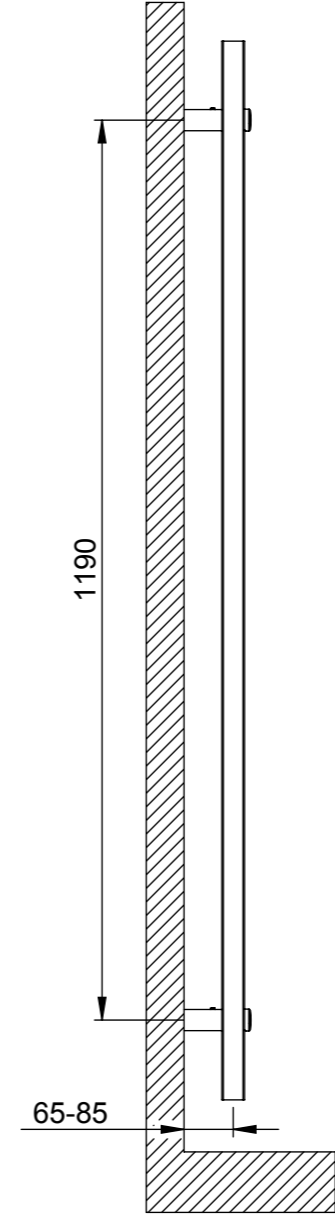
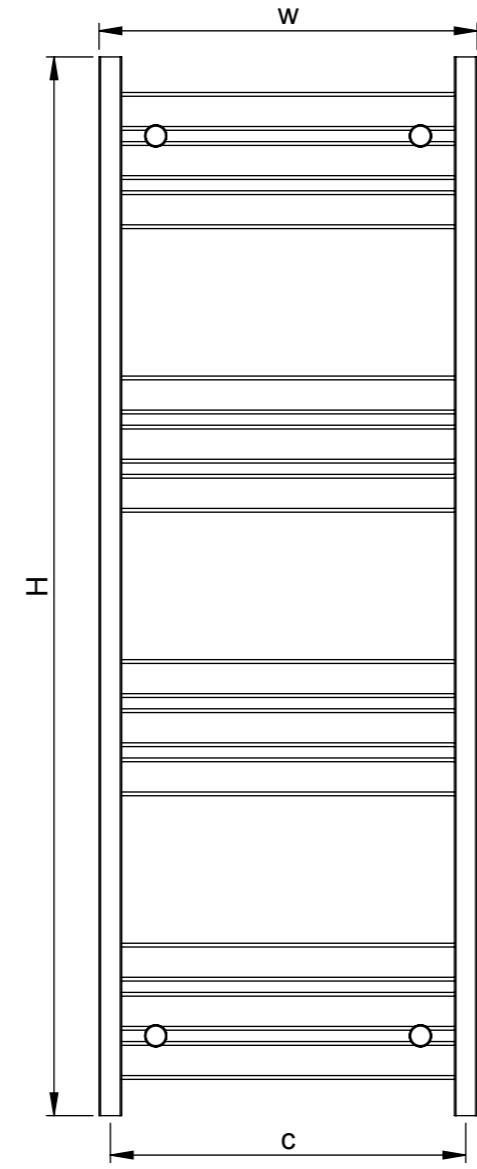
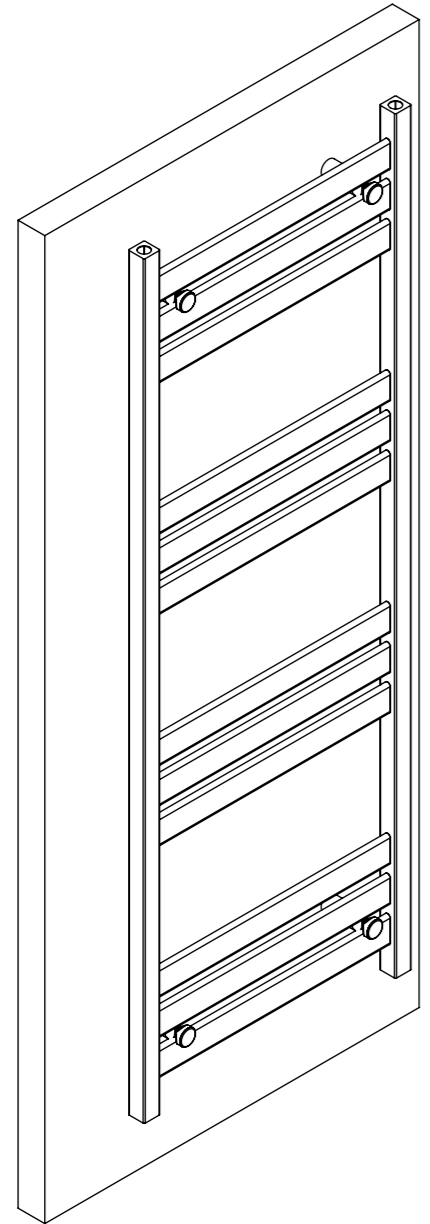


**carisa**  
design radiator

The contents of this document are property of **Termosan**® and should not be copied, reproduced or disclosed to a third party without written consent of the proprietor.

[www.carisa.com.tr](http://www.carisa.com.tr)

[www.termosan.com](http://www.termosan.com)  
[info@termosan.com](mailto:info@termosan.com)



Product Code	Width	Height	Depth	Connection Centers	Tube Quantity	Assembly Axis		Weight	Water Capacity
	W	H	D	C		S	L	kg.	lt.
FIO0500100009	500	1000	35	470	9	815	350	7,8	2,1
FIO0500140012	500	1400	35	470	12	1190	350	11,0	2,9