

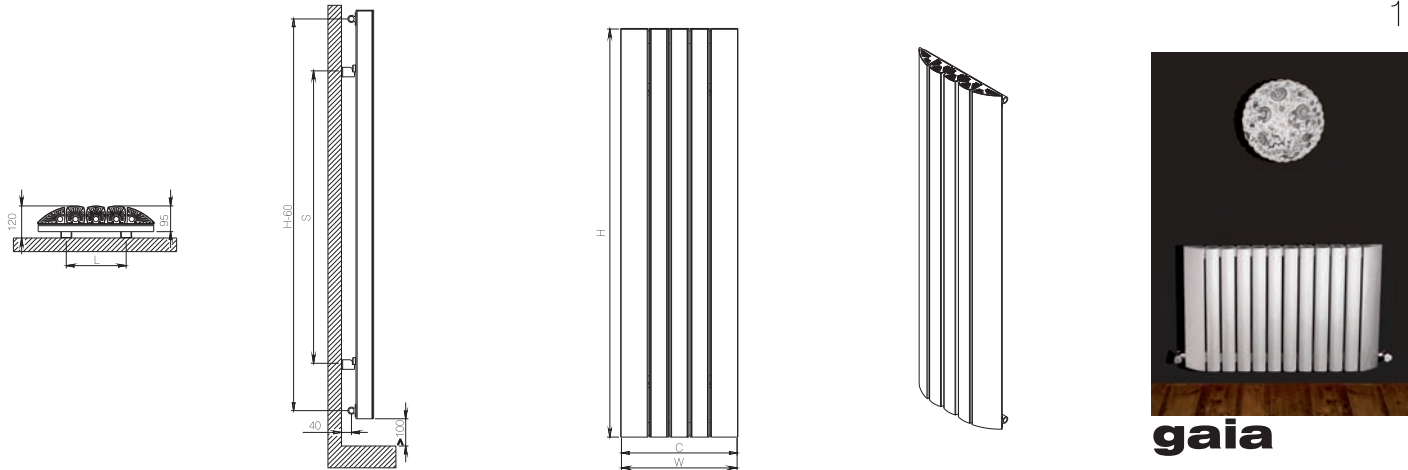
gaia



PLAIN BEAUTY

Flat bars framed with
triangular profiles,
bold and contemporary.
A decorative radiator
that is so rebellious.





material	finish	electric version	wall installation	warranty
aluminium	anodized	not available	vertical horizontal	5 years

max. working pressure: 5 bar
 max. working temperature: 95°C
 all dimensions are in mm.
 connections ½"

Product Code	Width	Height	Depth	Connection Centers	Tube Quantity	Assembly Axis		Weight	Water Capacity	THERMAL POWER (Anodized)		
	W	H	D	C		S	L	kg.	lt.	btu	k/cal	watt
GAI0355150004	355	1500	95	355	4	1075	150	15	1,9	4296	1082	1258
GAI0355180004	355	1800	95	355	4	1375	150	18	2,2	5157	1299	1510
GAI0430150005	430	1500	95	430	5	1075	225	18	2,3	5372	1353	1573
GAI0430180005	430	1800	95	430	5	1375	225	22	2,8	6632	1670	1942
GAI0505150006	505	1500	95	505	6	1075	300	22	2,8	6632	1670	1942
GAI0505180006	505	1800	95	505	6	1375	300	25	3,3	7735	1948	2265
GAI0655060008	655	600	95	655	8	375	450	13	1,7	3535	890	1035
GAI0805060010	805	600	95	805	10	375	600	15	2,1	4419	1113	1294
GAI0955060012	955	600	95	955	12	375	750	18	2,6	5303	1336	1553
GAI1105060014	1105	600	95	1105	14	375	900	21	3,0	6188	1558	1812

Vermogen (Watt) berekend op 75/65/20 graden Delta T50

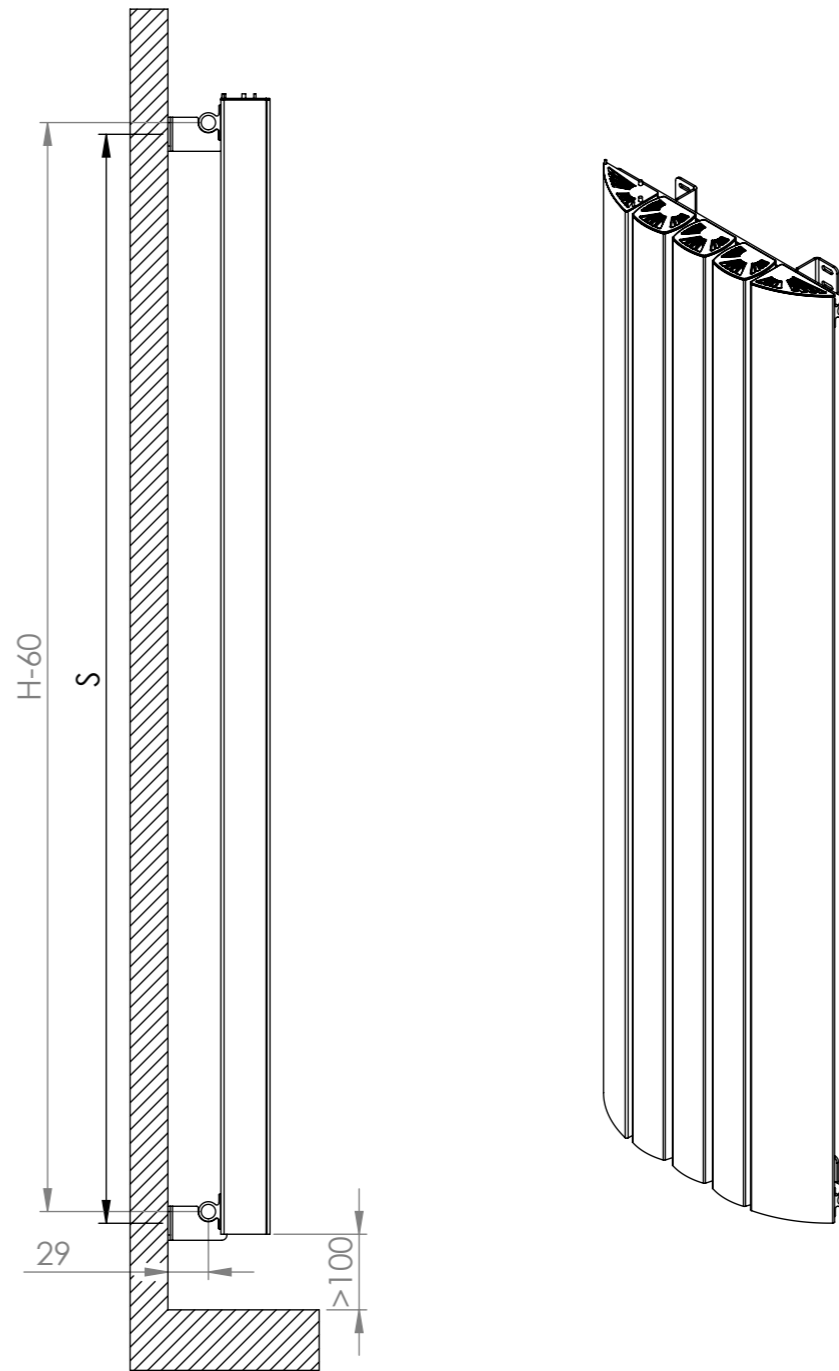
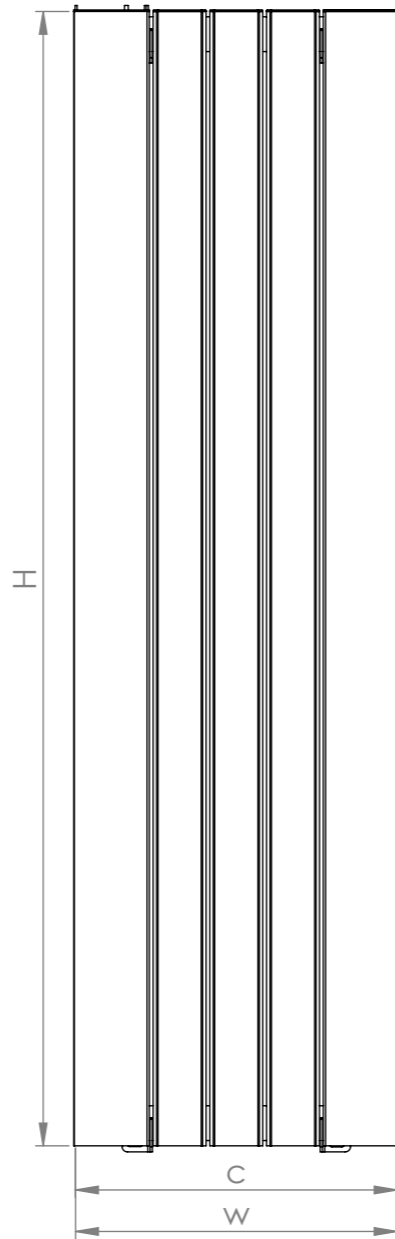
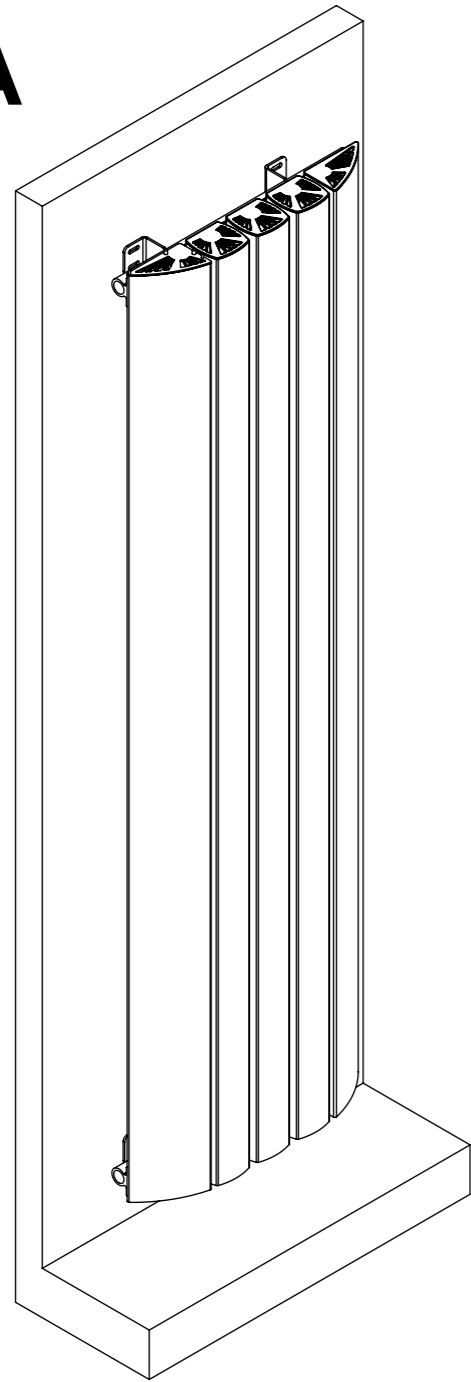
Bij 90/70/20 graden vermenigvuldig het vermogen met 1.26

GAIA

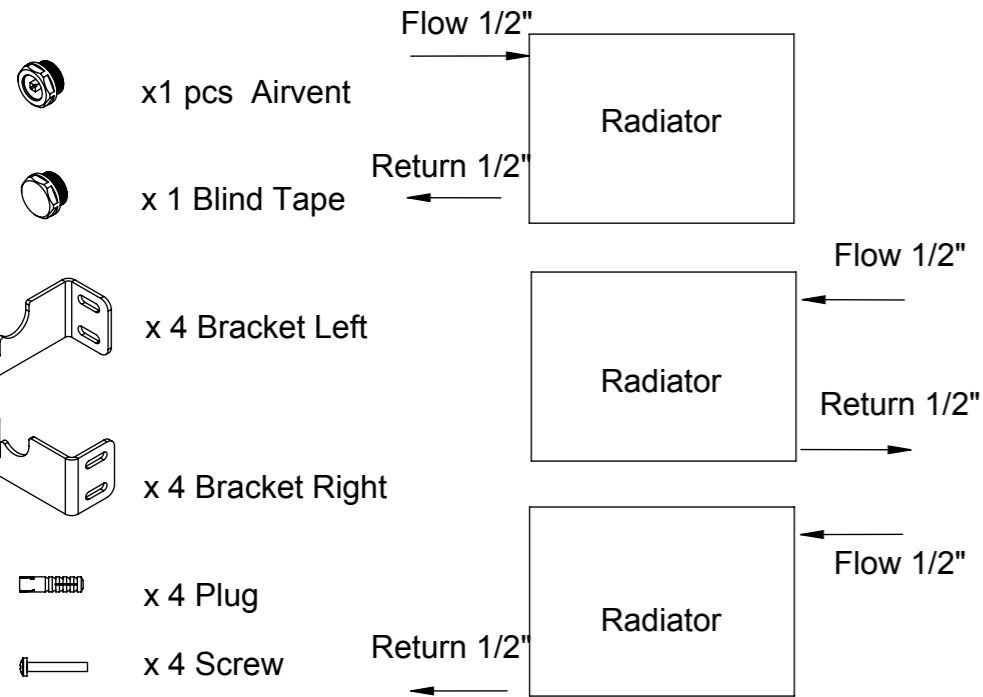
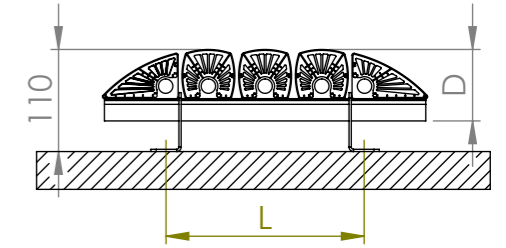
The contents of this document are property of Termosan® and should not be copied, reproduced or disclosed to a third party without written consent of the proprietor.

www.carisa.com.tr

www.termosan.com
info@termosan.com




carisa
design radiator



Product Code	Width	Height	Depth	Connection Centers	Tube Quantity	Assembly Axis		Weight	Water Capacity
	W	H	D	C		S	L	kg.	lt.
GAI0355150004	355	1500	95	355	4	1075	150	14,9	1,9
GAI0355180004	355	1800	95	355	4	1375	150	17,6	2,2
GAI0430150005	430	1500	95	430	5	1075	225	18,2	2,3
GAI0430180005	430	1800	95	430	5	1375	225	21,6	2,8
GAI0505150006	505	1500	95	505	6	1075	300	21,6	2,8
GAI0505180006	505	1800	95	505	6	1375	300	25,5	3,3
GAI0655060008	655	600	95	655	8	375	450	12,6	1,7
GAI0805060010	805	600	95	805	10	375	600	15,4	2,1
GAI0955060012	955	600	95	955	12	375	750	18,3	2,6
GAI1105060014	1105	600	95	1105	14	375	900	21,1	3,0