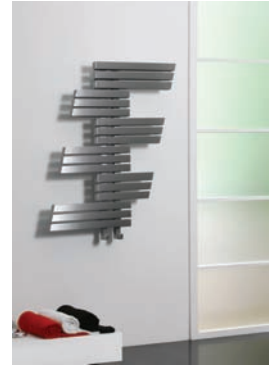
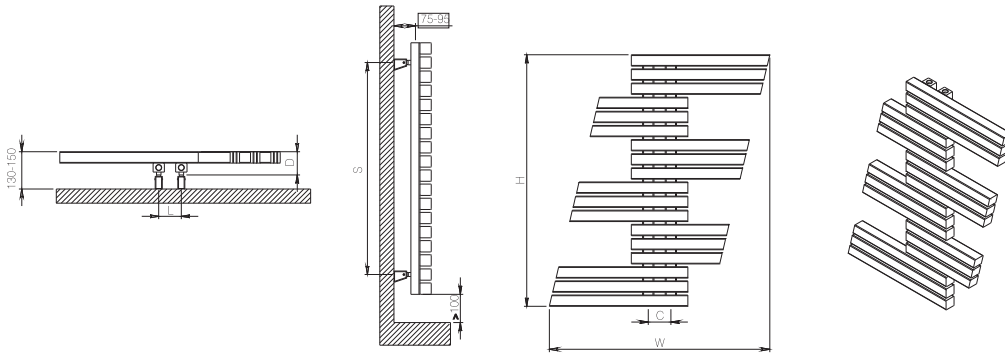


janus

DUALITY OF SUBSTANCE

Stainless steel gives durability and adds originality to the form of this radiator. Creativity and high quality are combined in Janus.





janus

material	finish	electric version	wall installation	warranty
stainless steel	satin polished	900 W	vertical	10 years

max. working pressure: 10 bar
 max. working temperature: 95°C
 all dimensions are in mm.
 connections 1/2"

Product Code	Width	Height	Depth	Connection Centers	Tube Quantity	Assembly Axis		Weight	Water Capacity	THERMAL POWER		
	W	H	D	C		S	L	kg.	lt.	btu	k/cal	watt
JAN078008901809	780	890	82	80	18	750	80	17,8	11,6	3328	839	975

Vermogen (Watt) berekend op 75/65/20 graden Delta T50
 Bij 90/70/20 graden vermenigvuldig het vermogen met 1.26

JANUS

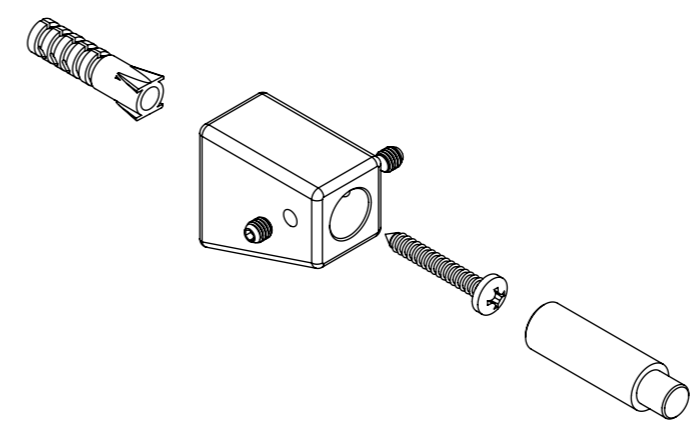
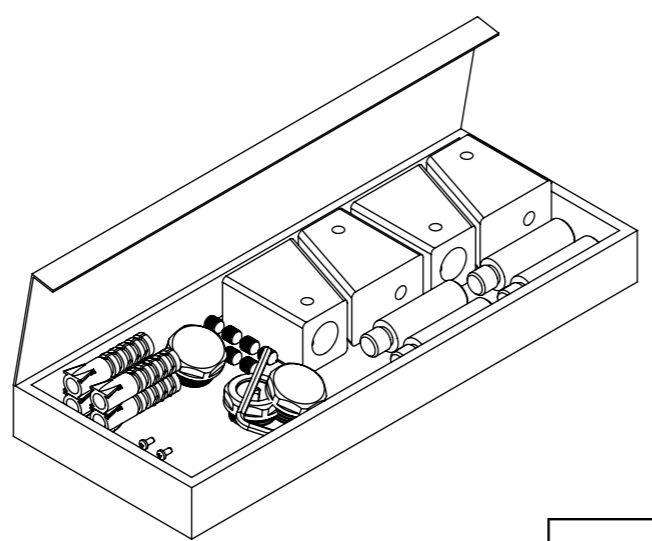
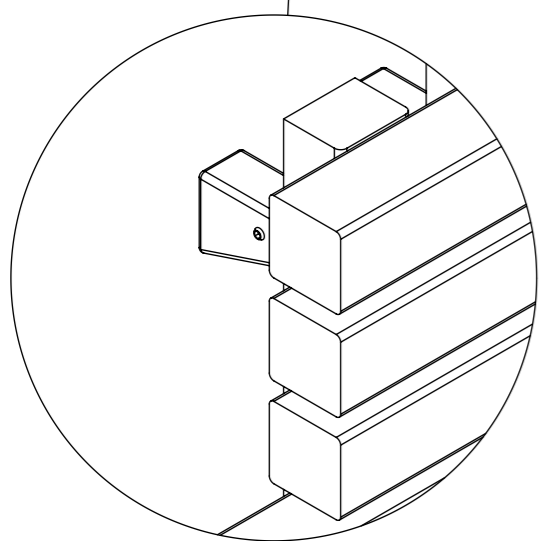
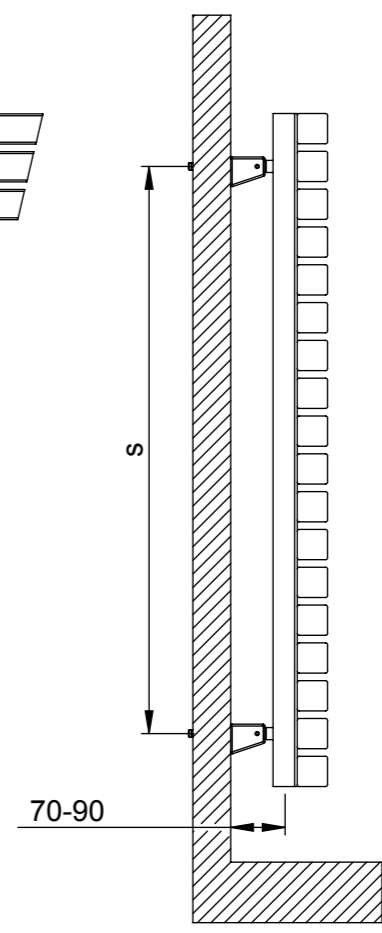
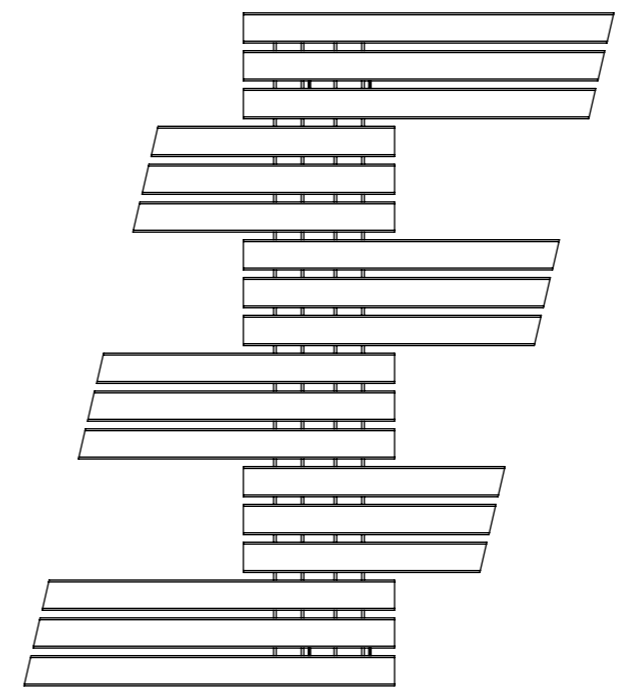
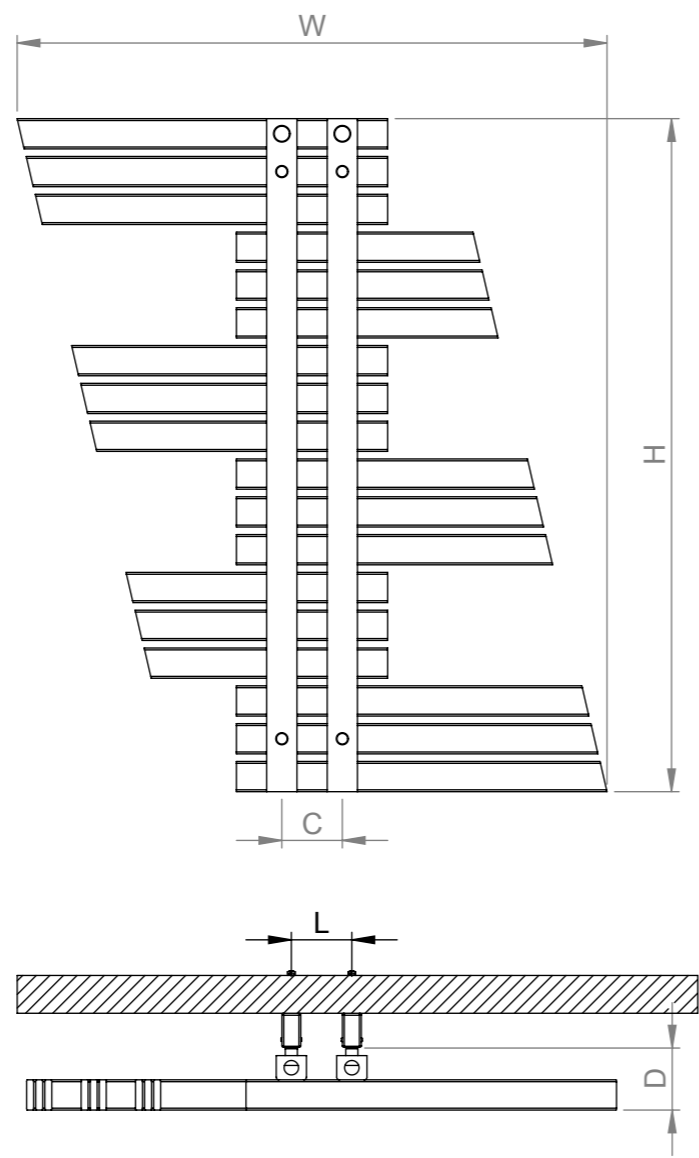
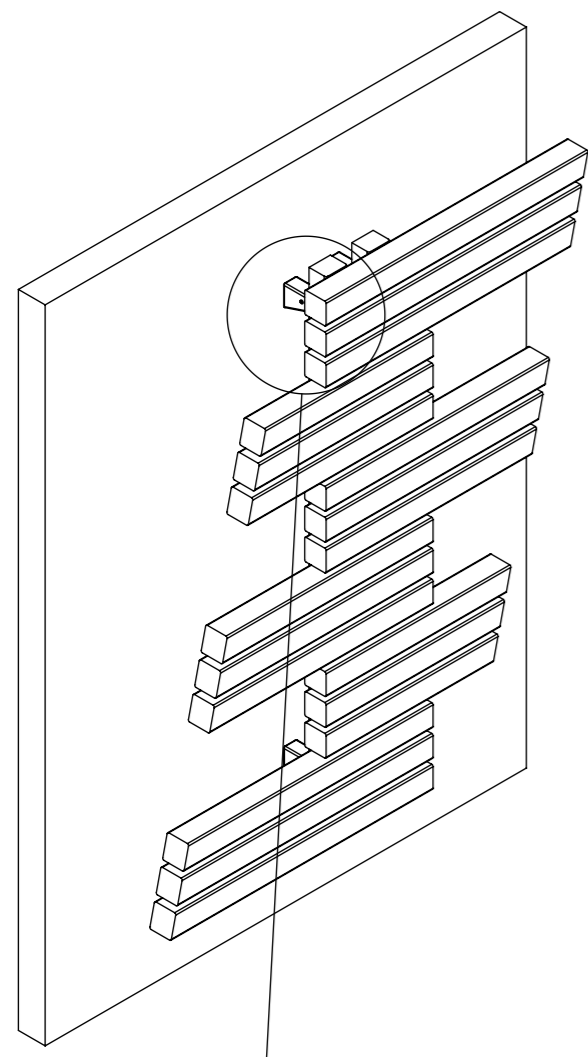


carisa[®]
design radiator

The contents of this document are property of Termosan[®] and should not be copied, reproduced or disclosed to a third party without written consent of the proprietor.

www.carisa.com.tr

www.termosan.com
info@termosan.com



Product Code	Width	Height	Depth	Connection Centers	Tube Quantity	Assembly Axis		Weight	Water Capacity
	W	H	D	C		S	L	kg.	lt.
JAN078008901809	780	890	82	80	18	750	80	17,8	11,6