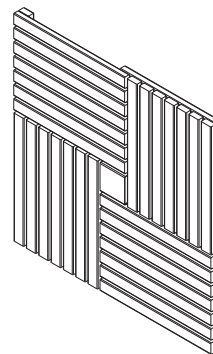
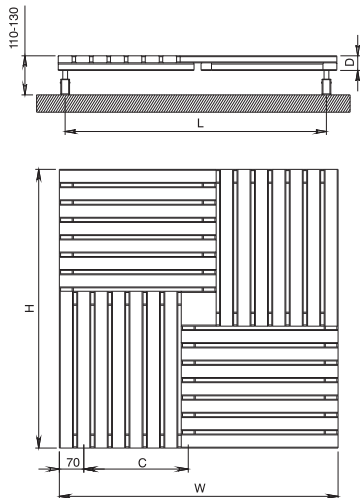
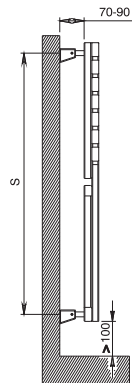




THE ATTRACTION OF MYSTERY

This stunning design of great originality suits the most stylish rooms. A symbol of mysterious beauty in your house.





keops

material	finish	electric version	wall installation	warranty
stainless steel	satin polished	not available	vertical	10 years

max. working pressure: 10 bar
 max. working temperature: 95°C
 all dimensions are in mm.
 connections 1/2"

Product Code	Width	Height	Depth	Connection Centers	Tube Quantity	Assembly Axis		Weight	Water Capacity	THERMAL POWER		
	W	H	D	C		S	L	kg.	lt.	btu	k/cal	watt
KEO060006002009	600	600	42	200	20	560	560	13,9	5,6	2908	733	852
KEO070007002409	700	700	42	250	24	660	660	18,3	7,5	3795	956	1112
KEO080008002809	800	800	42	300	28	760	760	22,9	9,6	4806	1211	1408

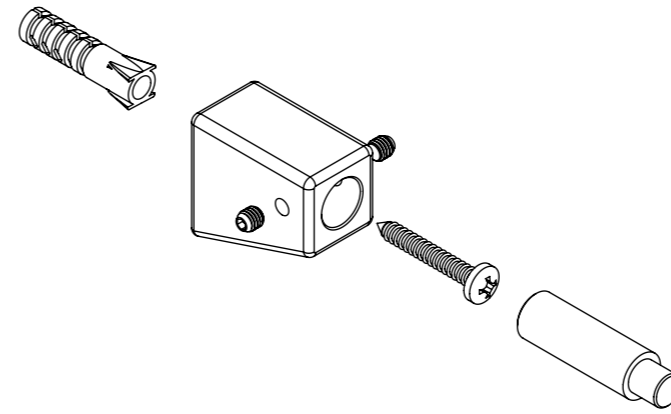
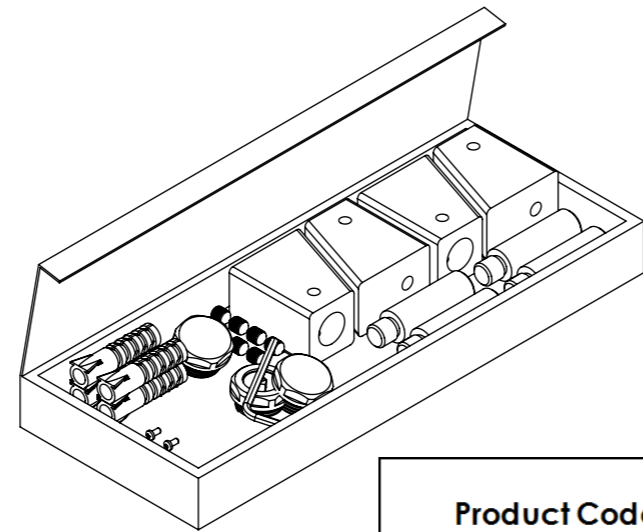
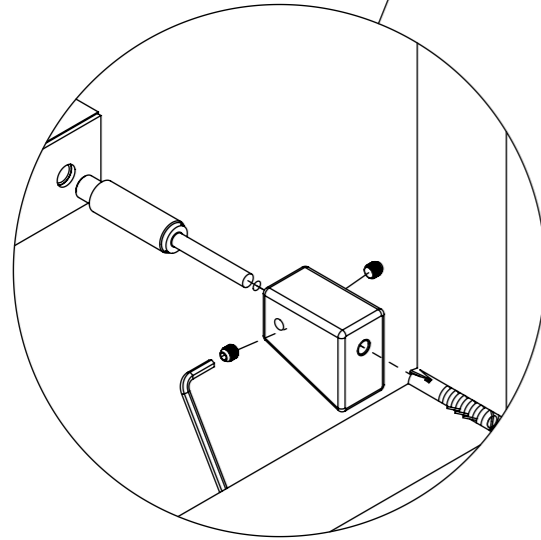
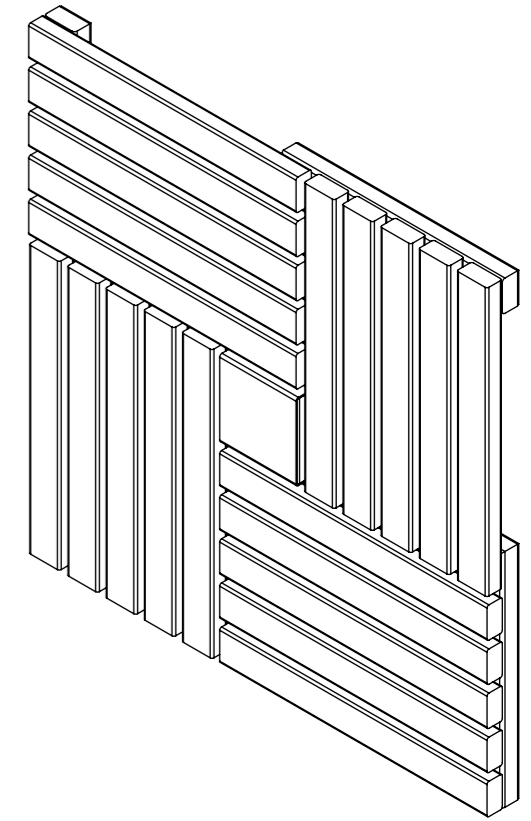
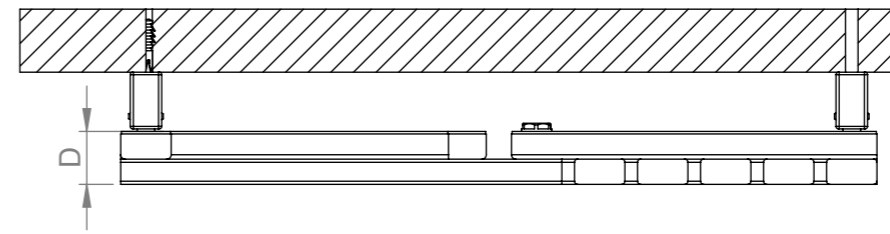
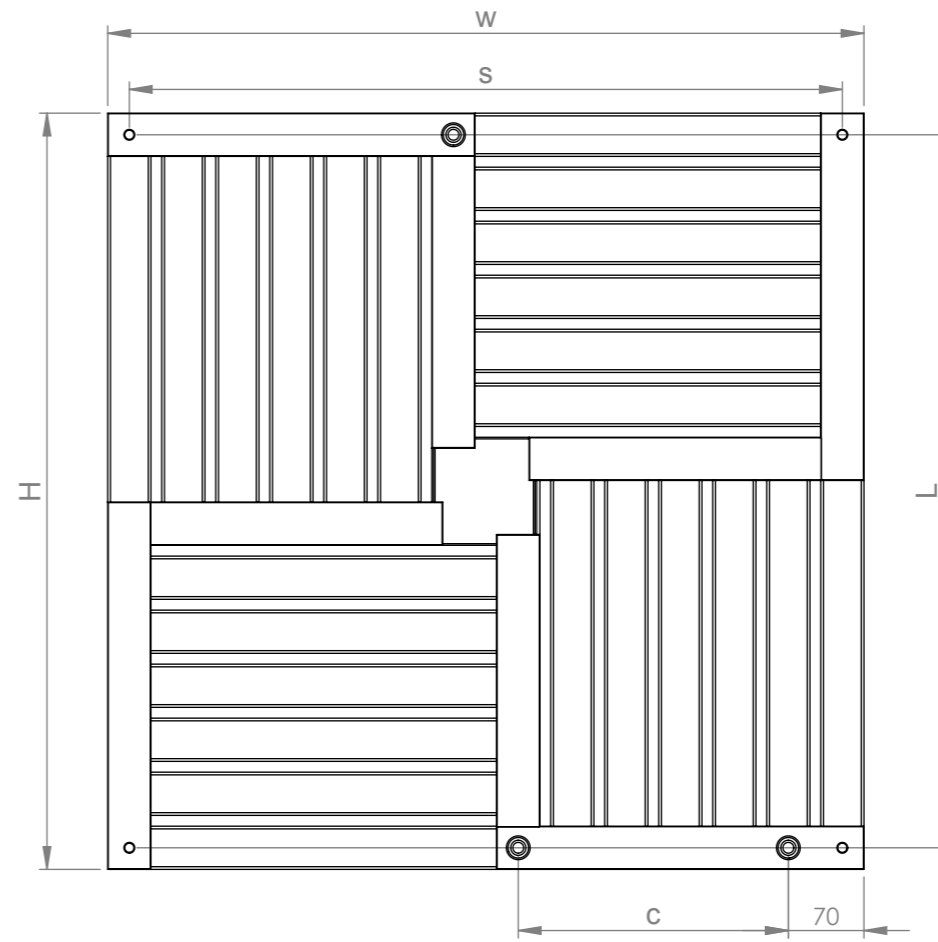
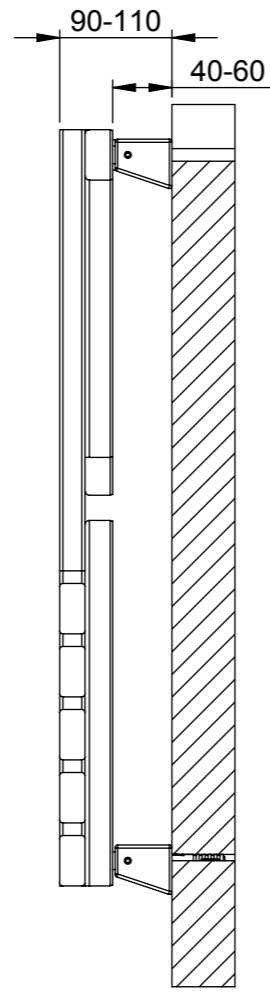
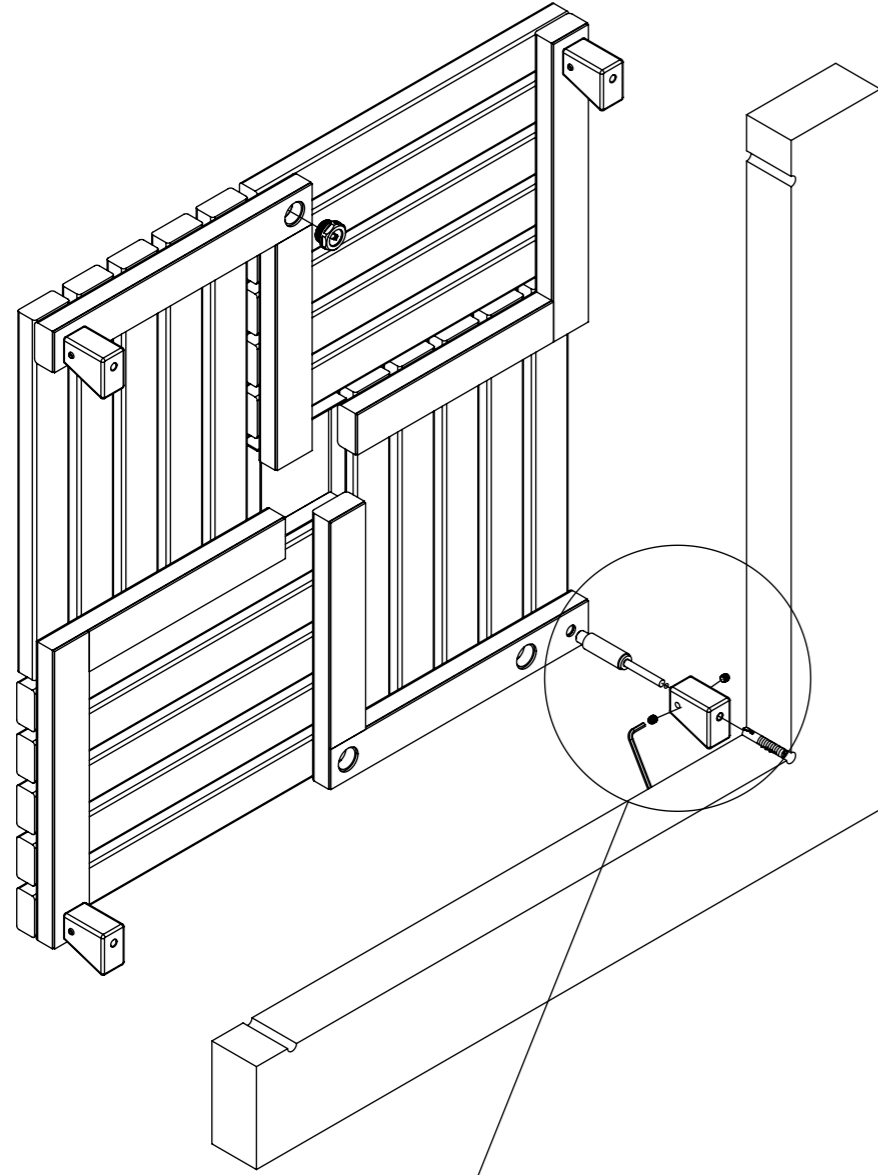
Vermogen (Watt) berekend op 75/65/20 graden Delta T50
 Bij 90/70/20 graden vermenigvuldig het vermogen met 1.26

KEOPS

The contents of this document are property of Termosan® and should not be copied, reproduced or disclosed to a third party without written consent of the proprietor.

www.carisa.com.tr

www.termosan.com
info@termosan.com




carisa
design radiator

Product Code	Width	Height	Depth	Connection Centers	Tube Quantity	Assembly Axis		Weight	Water Capacity
	W	H	D	C		S	L	kg.	lt.
KEO060006002009	600	600	42	200	20	560	560	13,9	5,6
KEO070007002409	700	700	42	250	24	660	660	18,3	7,5
KEO080008002809	800	800	42	300	28	760	760	22,9	9,6