

mistral

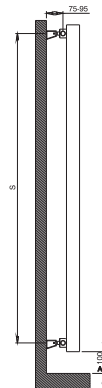
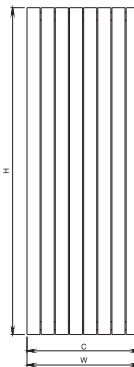
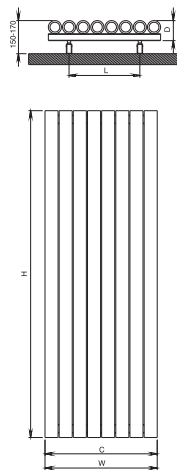
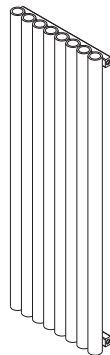
STYLISH AND DURABLE

This elegant radiator represents the careful choice of hard-to-please people. Different sizes are available to heat any room. Mistral will be the most pleasant element of your decor.





mistral



material	<i>stainless steel</i>
finish	<i>satın polished</i>
electric version	<i>not available</i>
wall installation	<i>vertical / horizontal</i>
warranty	<i>10 years</i>

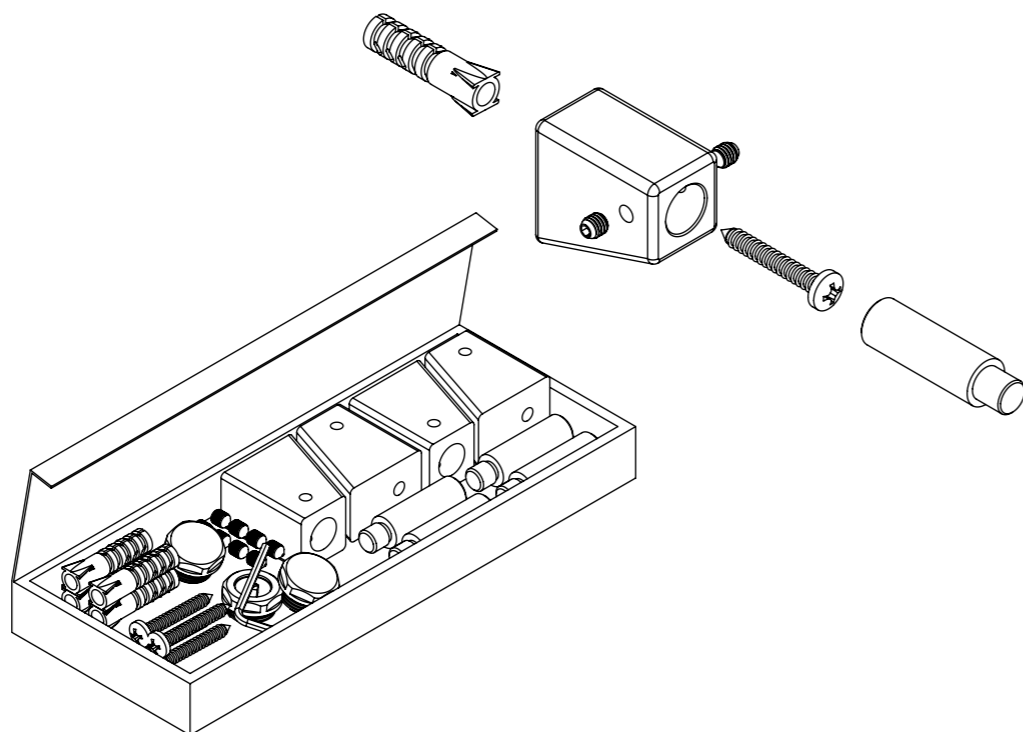
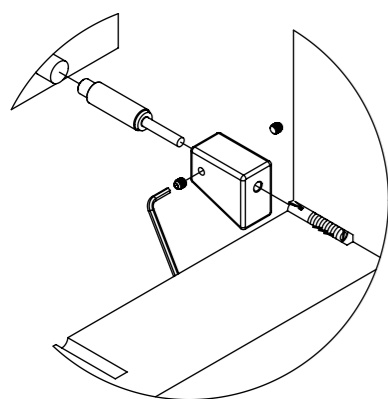
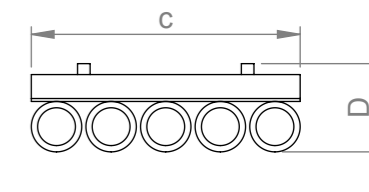
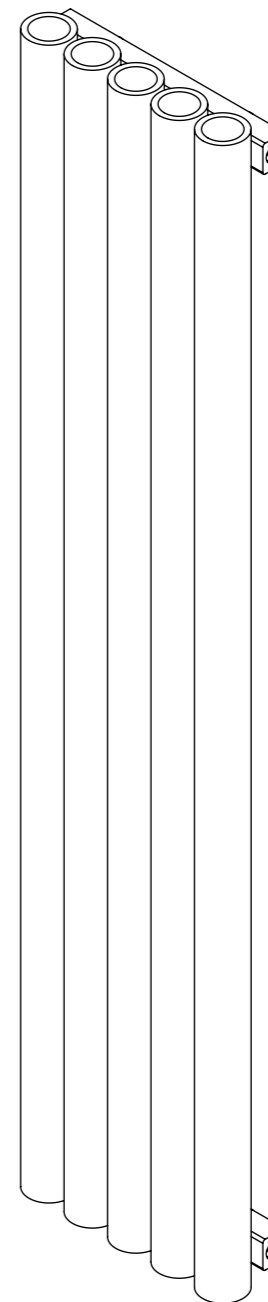
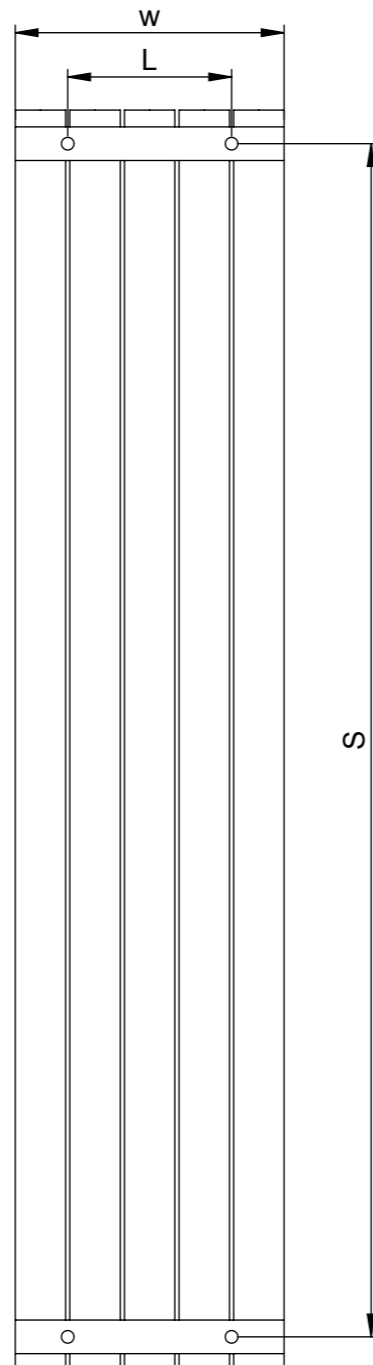
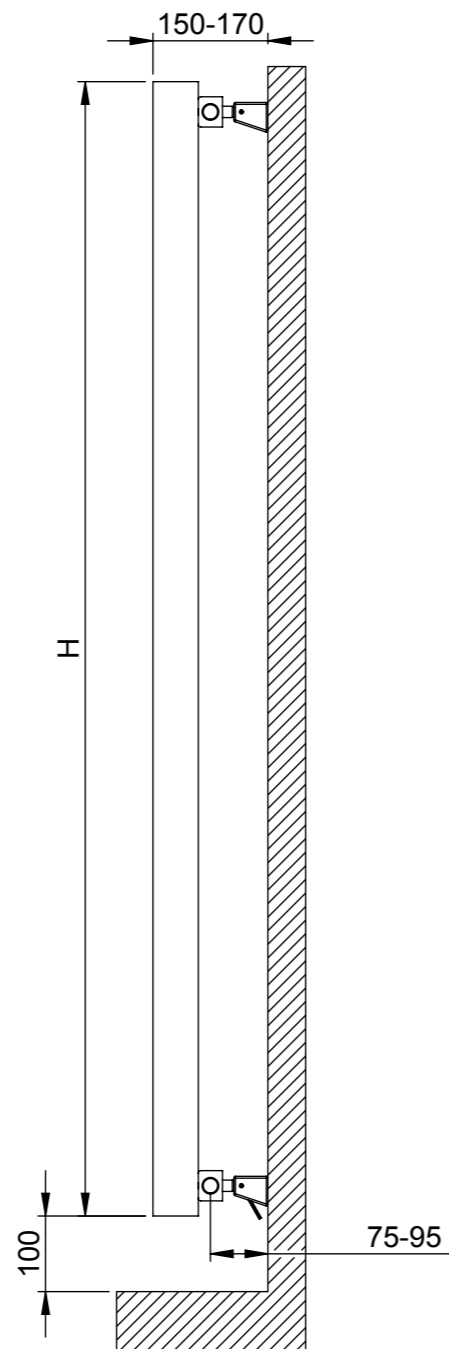
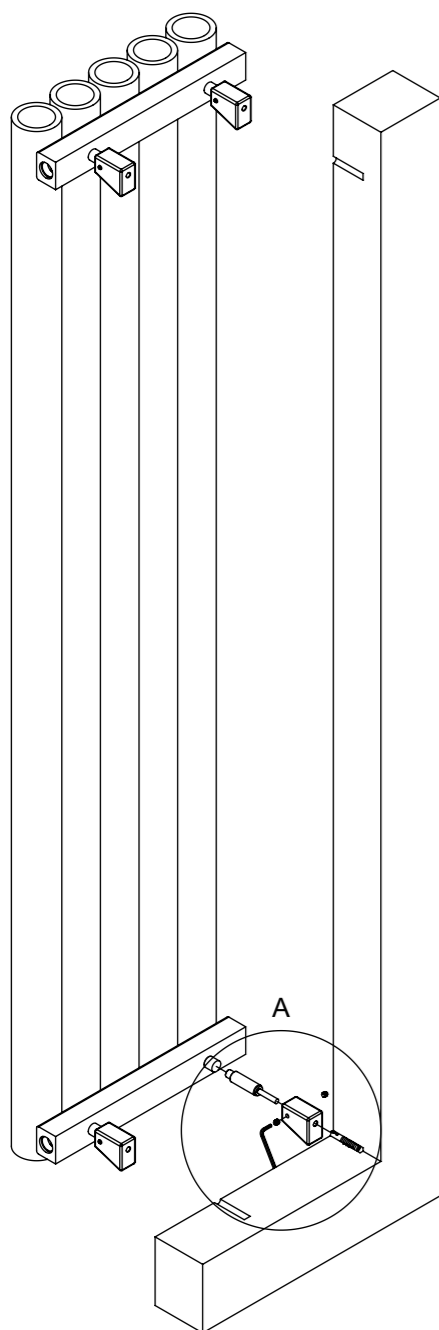
*max. working pressure: 10 bar
 max. working temperature: 95°C
 all dimensions are in mm.
 connections 1/2"*

Product Code	Width	Height	Depth	Connection Centers	Tube Quantity	Assembly Axis		Weight	Water Capacity	THERMAL POWER		
	W	H	D	C		S	L	kg.	lt.	btu	k/cal	watt
MIS025515000409	255	1500	102	255	4	1420	130	25,1	4,9	5041	1270	1477
MIS025518000409	255	1800	102	255	4	1720	130	29,8	5,8	6017	1516	1763
MIS025520000409	255	2000	102	255	4	1920	130	33,1	6,4	6669	1680	1954
MIS032015000509	320	1500	102	320	5	1420	130	31,3	6,1	6758	1703	1980
MIS032018000509	320	1800	102	320	5	1720	130	37,3	7,3	8048	2028	2358
MIS032020000509	320	2000	102	320	5	1920	130	41,2	7,9	8894	2241	2606
MIS038515000609	385	1500	102	385	6	1420	195	37,6	7,4	7563	1906	2216
MIS038518000609	385	1800	102	385	6	1720	195	44,7	8,7	9027	2275	2645
MIS038520000609	385	2000	102	385	6	1920	195	49,5	9,6	10007	2522	2932
MIS045015000709	450	1500	102	450	7	1420	260	43,8	8,6	9454	2382	2770
MIS045018000709	450	1800	102	450	7	1720	260	52,2	10,2	11283	2843	3306
MIS045020000709	450	2000	102	450	7	1920	260	57,7	11,2	12506	3151	3664
MIS051515000809	515	1500	102	515	8	1420	325	50,1	9,9	10082	2540	2954
MIS051518000809	515	1800	102	515	8	1720	325	59,5	11,7	12038	3033	3527
MIS051520000809	515	2000	102	515	8	1920	325	65,9	12,8	13341	3362	3909

Vermogen (Watt) berekend op 75/65/20 graden Delta T50
 Bij 90/70/20 graden vermenigvuldig het vermogen met 1.26

MISTRAL

The contents of this document are property of **Termosant**® and could not be copied, reproduced or disclosed to a third party without written consent of the proprietor.



Product Code	Width	Height	Depth	Connection Centers	Tube Quantity	Assembly Axis		Weight
	W	H	D	C		S	L	kg.
MIS025515000409	255	1500	102	255	4	1420	130	25,1
MIS025518000409	255	1800	102	255	4	1720	130	29,8
MIS025520000409	255	2000	102	255	4	1920	130	33,1
MIS032015000509	320	1500	102	320	5	1420	130	31,3
MIS032018000509	320	1800	102	320	5	1720	130	37,3
MIS032020000509	320	2000	102	320	5	1920	130	41,2
MIS038515000609	385	1500	102	385	6	1420	195	37,6
MIS038518000609	385	1800	102	385	6	1720	195	44,7
MIS038520000609	385	2000	102	385	6	1920	195	49,5
MIS045015000709	450	1500	102	450	7	1420	260	43,8
MIS045018000709	450	1800	102	450	7	1720	260	52,2
MIS045020000709	450	2000	102	450	7	1920	260	57,7
MIS051515000809	515	1500	102	515	8	1420	325	50,1
MIS051518000809	515	1800	102	515	8	1720	325	59,5
MIS051520000809	515	2000	102	515	8	1920	325	65,9