

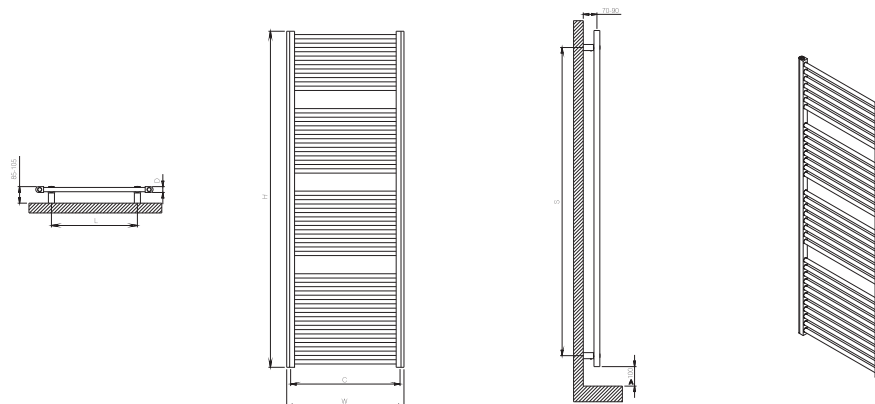
# nile

## PLAIN, YET BEAUTIFUL

Modern and aesthetic,  
Nile's classic design is  
simple - allowing an easy  
integration into different  
bathrooms and kitchens.



technical specs page 99



**nile**

material	finish	electric version	wall installation	warranty
steel	RAL painted chrome plated	300 W 600 W 900 W	vertical	5 years

max. working pressure: 10 bar  
max. working temperature: 95°C  
all dimensions are in mm.  
connections 1/2"  
middle connection available

Product Code	Width	Height	Depth	Connection Centers	Tube Quantity	Assembly Axis		Weight	Water Capacity	THERMAL POWER (Painted)			THERMAL POWER (Chrome Plated)		
	W	H	D	C		S	L	kg.	lt.	btu	k/cal	watt	btu	k/cal	watt
NIL0450068814	450	688	30	410	14	545	290	4,7	2,9	977	246	286	753	190	221
NIL0500068814	500	688	30	460	14	545	340	5,1	3,1	1066	269	312	822	207	241
NIL0600068814	600	688	30	560	14	545	440	5,8	3,6	1245	313	365	960	242	281
NIL0750068814	750	688	30	710	14	545	590	6,9	4,3	1513	381	443	1166	294	341
NIL0450111822	450	1118	30	410	22	975	290	7,5	4,7	1552	391	455	1197	301	350
NIL0500111822	500	1118	30	460	22	975	340	8,0	5,0	1693	426	496	1305	329	382
NIL0600111822	600	1118	30	560	22	975	440	9,2	5,7	1973	497	578	1521	383	445
NIL0750111822	750	1118	30	710	22	975	590	10,9	6,8	2394	603	701	1845	465	540
NIL0450172034	450	1720	30	410	34	1575	290	11,5	7,2	2396	603	701	1846	465	541
NIL0500172034	500	1720	30	460	34	1575	340	12,4	7,7	2612	658	765	2014	507	590
NIL0600172034	600	1720	30	560	34	1575	440	14,2	8,8	3046	767	892	2348	591	688
NIL0750172034	750	1720	30	710	34	1575	590	16,8	10,2	3696	931	1082	2849	718	834

Vermogen (Watt) berekend op 75/65/20 graden Delta T50

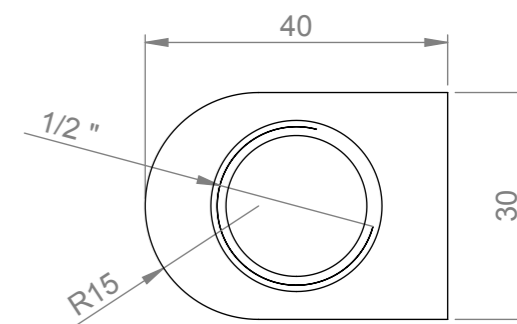
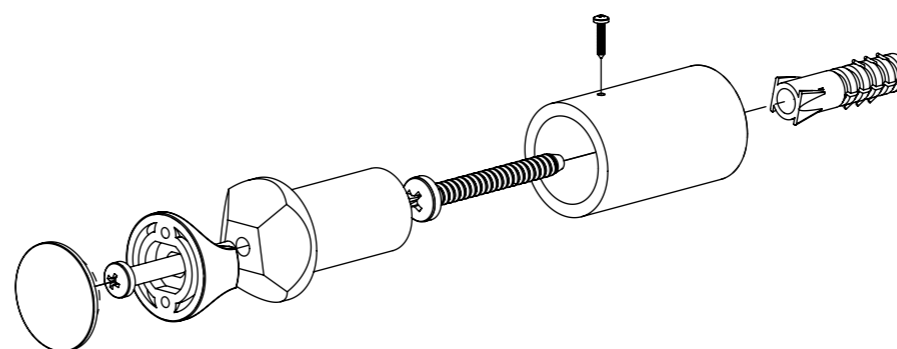
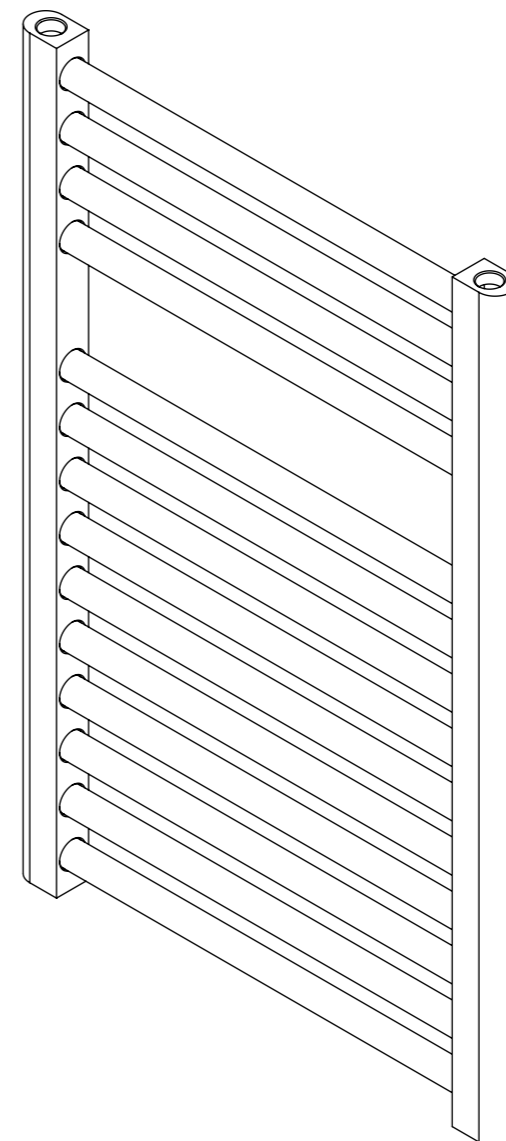
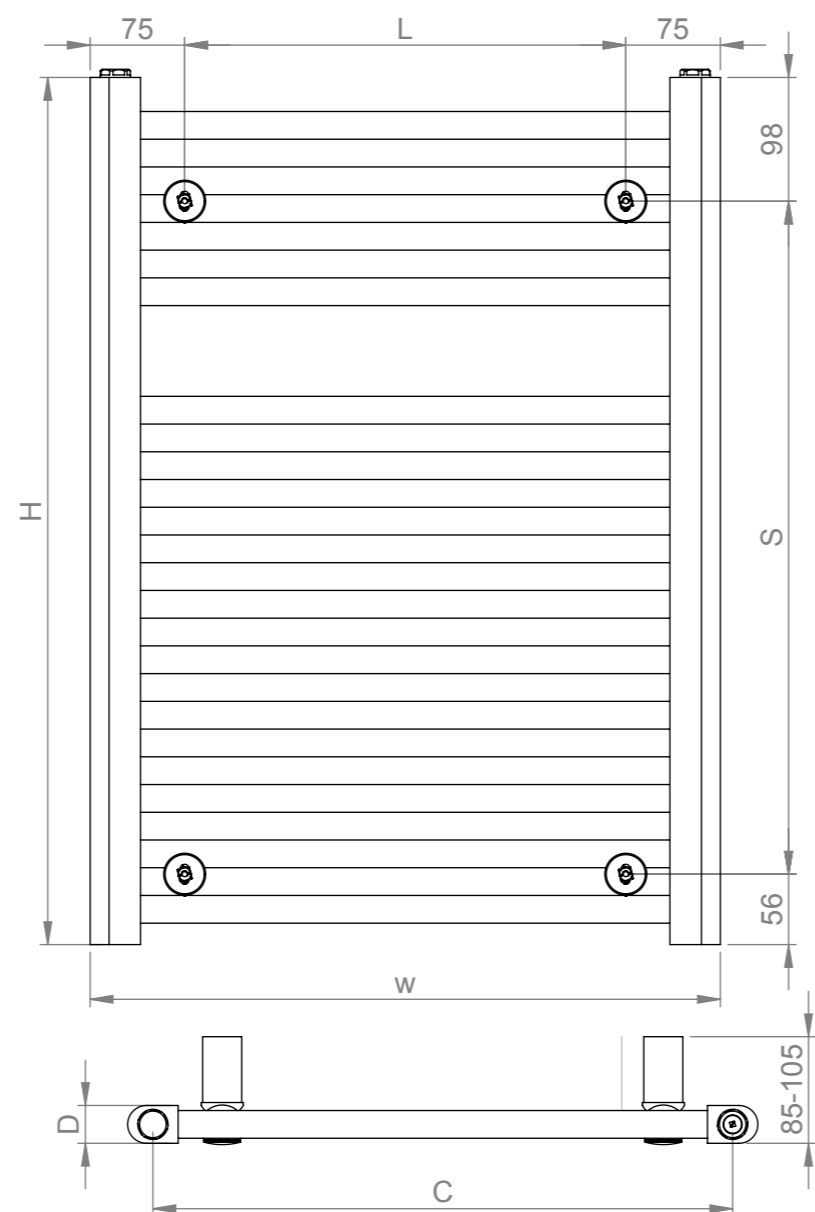
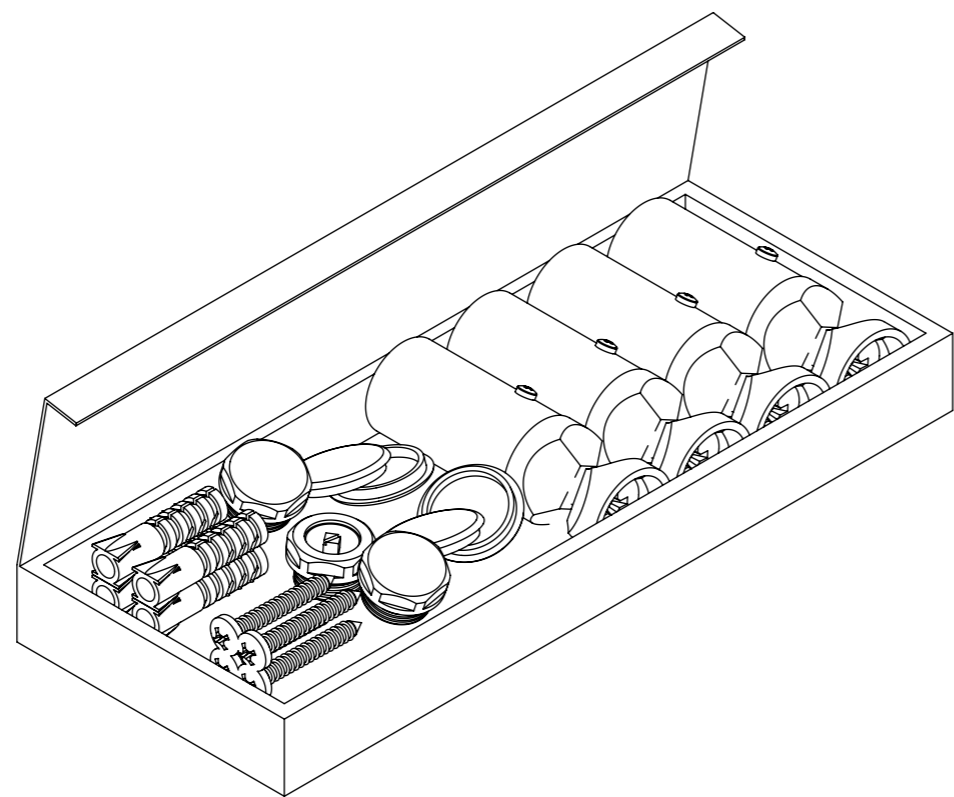
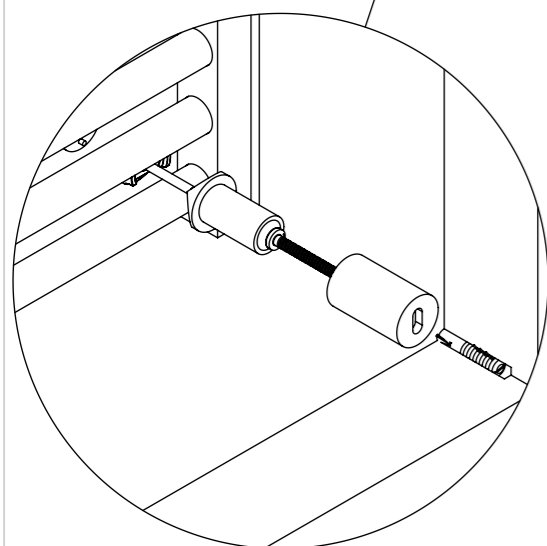
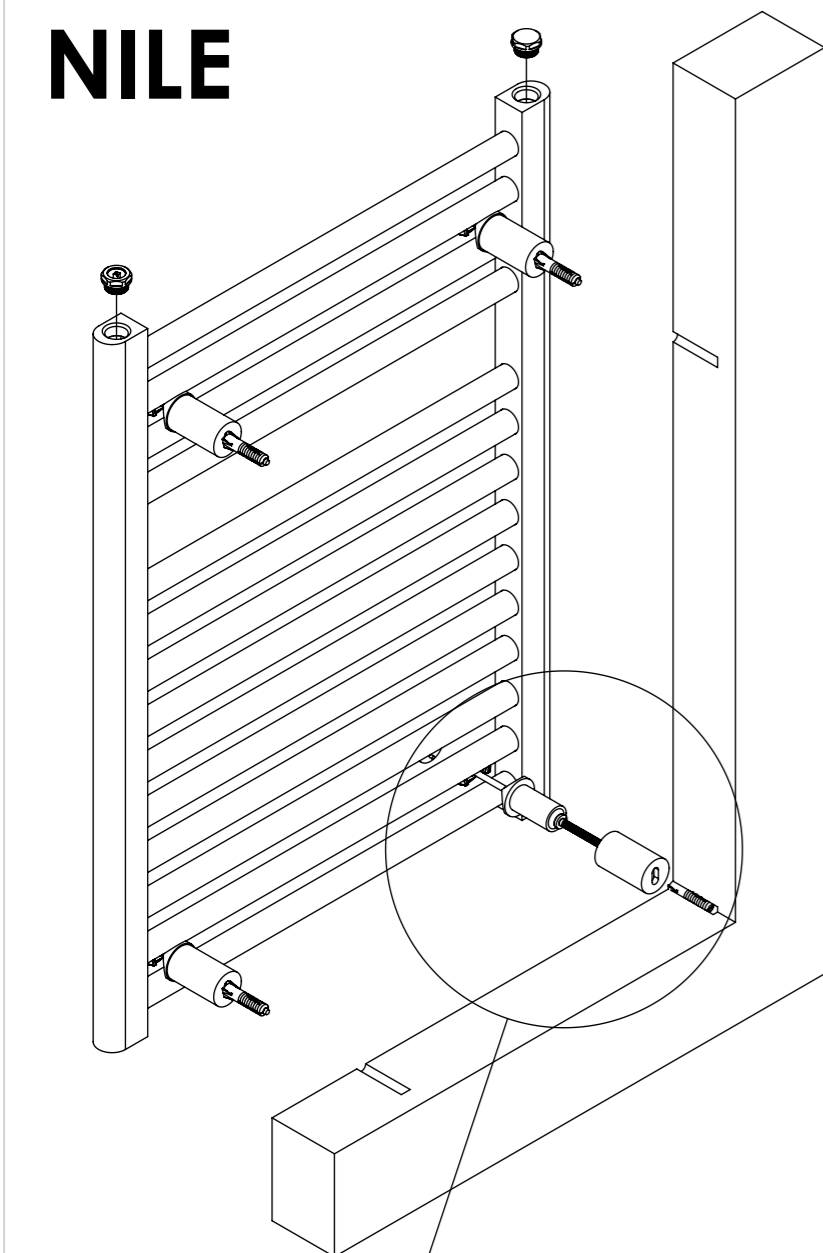
Bij 90/70/20 graden vermenigvuldig het vermogen met 1.26

# NILE

The contents of this document are property of Termosan® and should not be copied, reproduced or disclosed to a third party without written consent of the proprietor.

www.carisa.com.tr

www.termosan.com  
info@termosan.com




**carisa**  
design radiator

Product Code	Width	Height	Depth	Connection Centers	Tube Quantity	Assembly Axis		Weight	Water Capacity
	W	H	D	C		S	L	kg.	lt.
NIL0450068814	450	688	30	410	14	545	290	4,7	2,9
NIL0600068814	600	688	30	560	14	545	440	5,8	3,5
NIL0750068814	750	688	30	710	14	545	590	6,9	4,2
NIL0450111822	450	1118	30	410	22	975	290	7,4	4,6
NIL0600111822	600	1118	30	560	22	975	440	9,1	5,6
NIL0750111822	750	1118	30	710	22	975	590	10,1	6,6
NIL0450172034	450	1720	30	410	34	1575	290	11,4	7,1
NIL0600172034	600	1720	30	560	34	1575	440	14,1	8,6
NIL0750172034	750	1720	30	710	34	1575	590	16,7	10,2