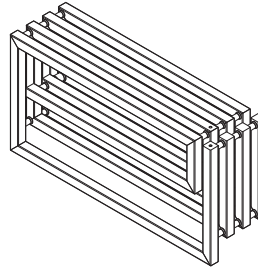
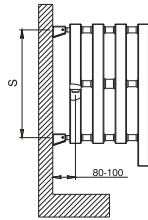
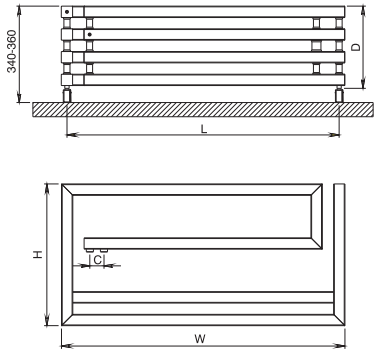


**pandora****SECRETS OF STEEL**

This radiator will take your vision of personal space into the future. Pandora will reveal its secrets only to you...





**pandora**

material	finish	electric version	wall installation	warranty
stainless steel	satin polished	not available	horizontal	10 years

max. working pressure: 10 bar  
 max. working temperature: 95°C  
 all dimensions are in mm.  
 connections 1/2"  
 middle connection available

Product Code	Width	Height	Depth	Connection Centers	Tube Quantity	Assembly Axis		Weight	Water Capacity	THERMAL POWER		
	W	H	D	C		S	L	kg.	lt.	btu	k/cal	watt
PAN100005000409	1000	500	290	50	4	380	960	28,5	19,5	4717	1189	1382

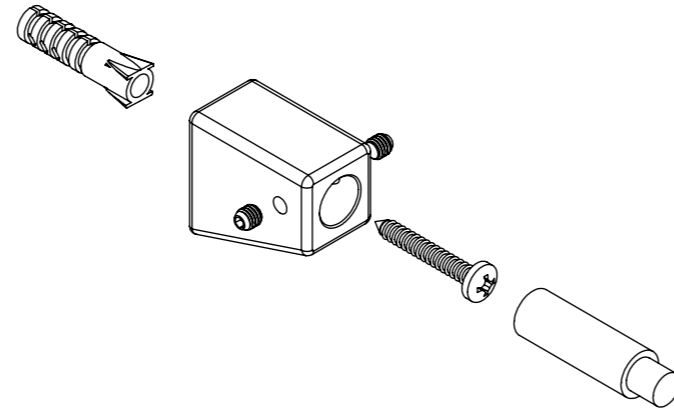
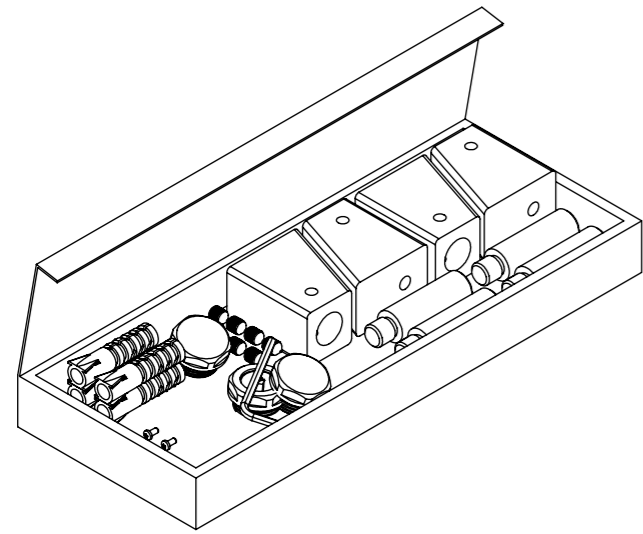
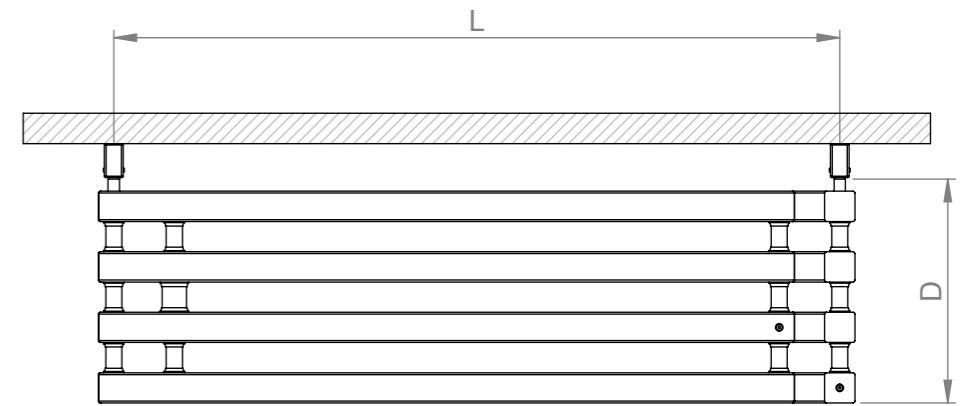
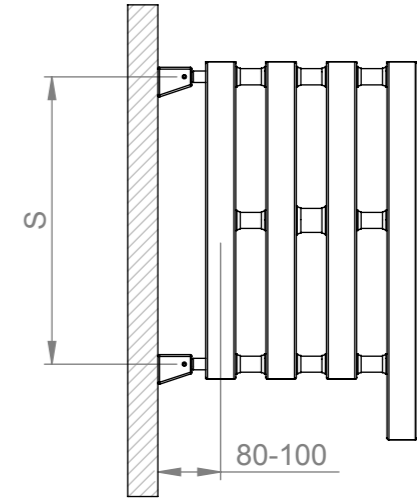
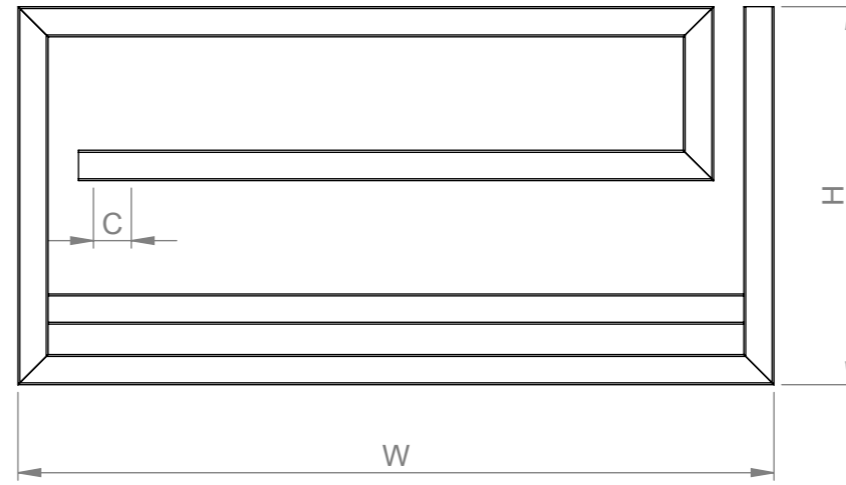
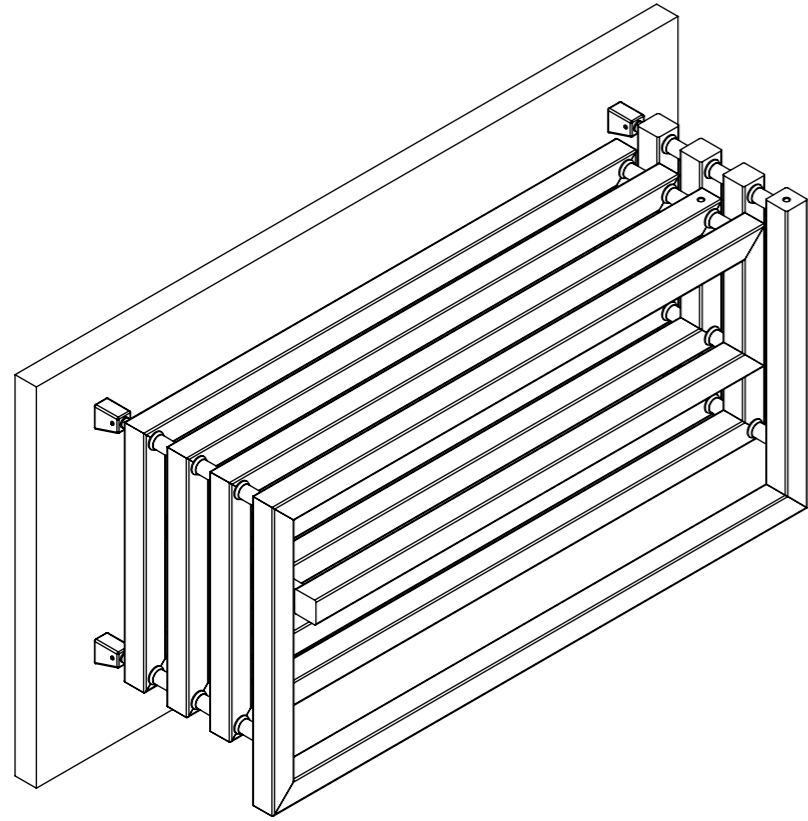
Vermogen (Watt) berekend op 75/65/20 graden Delta T50  
 Bij 90/70/20 graden vermenigvuldig het vermogen met 1.26

# PANDORA



**carisa**<sup>®</sup>  
design radiator

The contents of this document are property of **Termosan**<sup>®</sup> and should not be copied, reproduced or disclosed to a third party without written consent of the proprietor.



www.carisa.com.tr

www.termosan.com  
info@termosan.com

Product Code	Width	Height	Depth	Connection Centers	Tube Quantity	Assembly Axis		Weight	Water Capacity
	W	H	D	C		S	L	kg.	lt.
PAN100005000409	1000	500	290	50	4	380	960	28,5	19,5