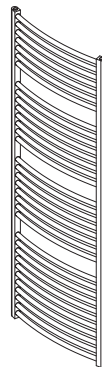
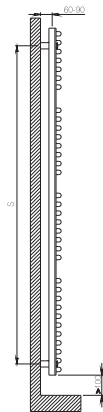
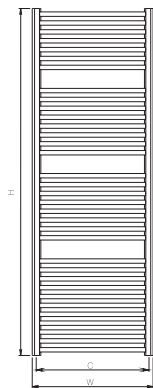
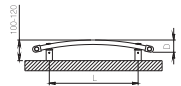


**ABSOLUTE AESTHETICS**

A new version of Nile with curved crossbars offers comfortable use, elegant looks and smooth style.

The clean-cut design enhances its appearance.





**pisa**

material	finish	electric version	wall installation	warranty
steel	RAL painted chrome plated	300 W 600 W 900 W	vertical	5 years

max. working pressure: 10 bar  
 max. working temperature: 95°C  
 all dimensions are in mm.  
 connections 1/2"  
 middle connection available

Product Code	Width	Height	Depth	Connection Centers	Tube Quantity	Assembly Axis		Weight	Water Capacity	THERMAL POWER (Painted)			THERMAL POWER (Chrome Plated)		
	W	H	D	C		S	L	kg.	lt.	btu	k/cal	watt	btu	k/cal	watt
PIS0450068814	450	688	60	410	14	545	290	4,7	2,9	977	246	286	753	190	221
PIS0500068814	500	688	65	460	14	545	340	5,1	3,1	1066	269	312	822	207	241
PIS0600068814	600	688	70	560	14	545	440	5,8	3,6	1245	313	365	960	242	281
PIS0750068814	750	688	80	710	14	545	590	6,9	4,3	1513	381	443	1166	294	341
PIS0450111822	450	1118	60	410	22	975	290	7,5	4,7	1552	391	455	1197	301	350
PIS0500111822	500	1118	65	460	22	975	340	8,1	5,0	1693	426	496	1305	329	382
PIS0600111822	600	1118	70	560	22	975	440	9,2	5,7	1973	497	578	1521	383	445
PIS0750111822	750	1118	80	710	22	975	590	10,9	6,8	2394	603	701	1845	465	540
PIS0450172034	450	1720	60	410	34	1575	290	11,6	7,2	2396	603	701	1846	465	541
PIS0500172034	500	1720	65	460	34	1575	340	12,5	7,7	2612	658	765	2014	507	590
PIS0600172034	600	1720	70	560	34	1575	440	14,1	8,8	3046	767	892	2348	591	688
PIS0750172034	750	1720	80	710	34	1575	590	16,8	10,5	3696	931	1082	2849	718	834

Vermogen (Watt) berekend op 75/65/20 graden Delta T50  
 Bij 90/70/20 graden vermenigvuldig het vermogen met 1.26

# PISA

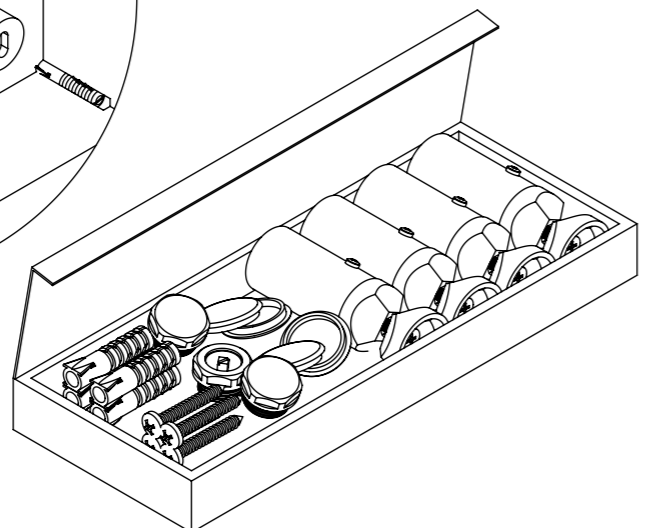
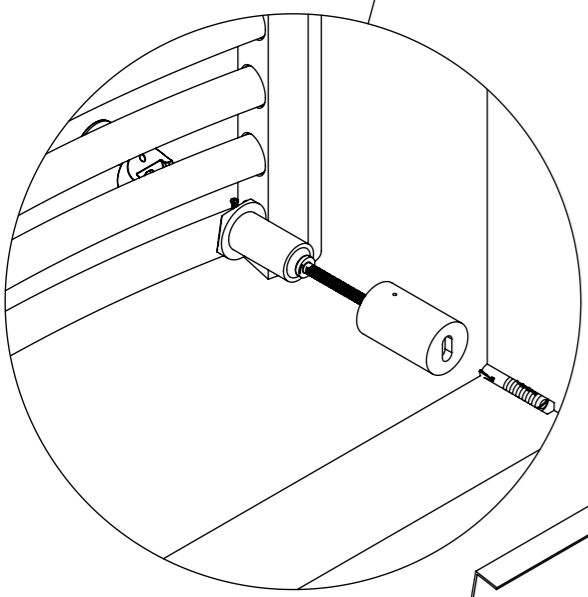
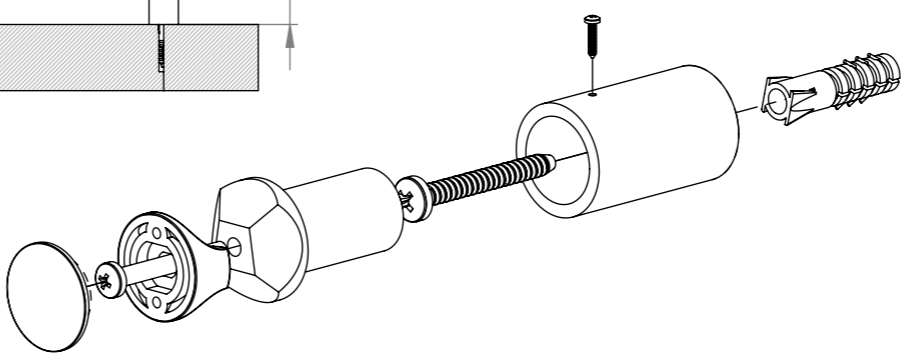
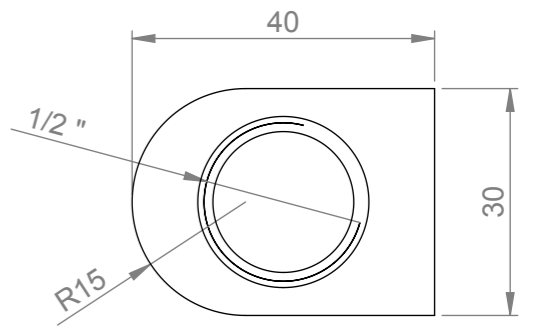
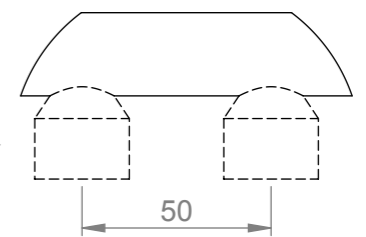
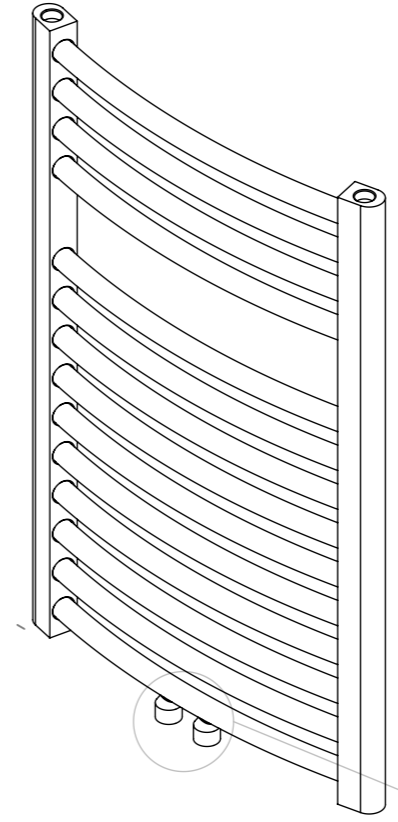
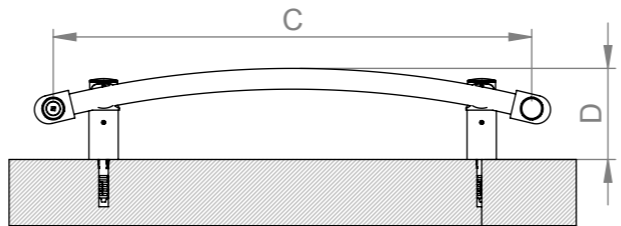
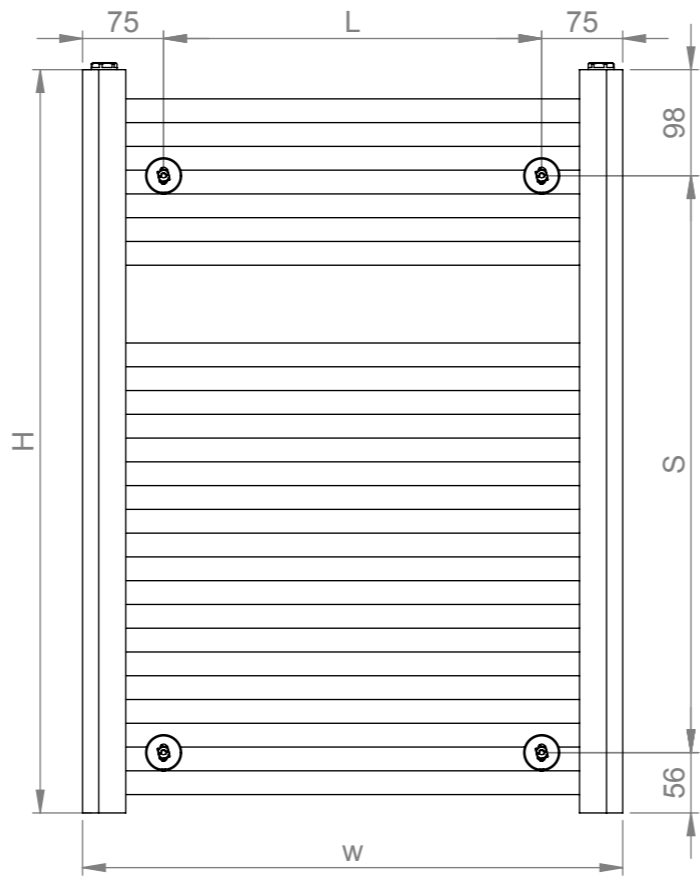
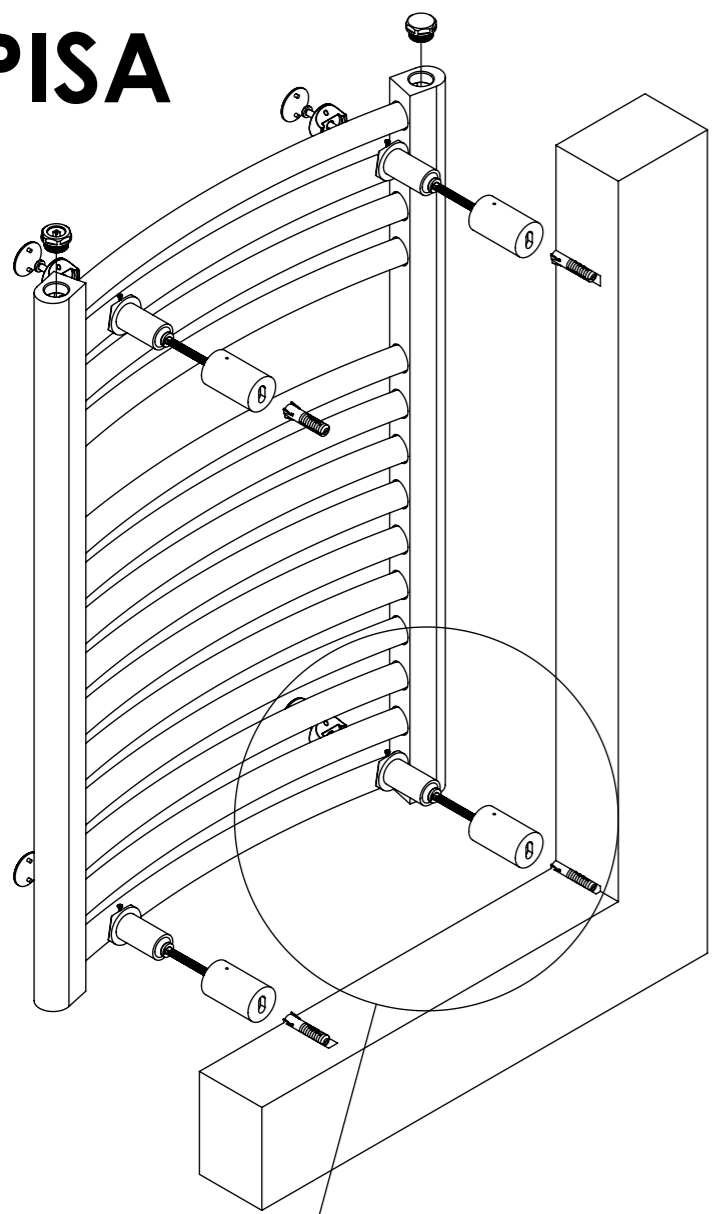


**carisa**  
design radiator

The contents of this document are property of Termosan® and should not be copied, reproduced or disclosed to a third party without written consent of the proprietor.

www.carisa.com.tr

www.termosan.com  
info@termosan.com



Product Code	Width	Height	Depth	Connection Centers	Tube Quantity	Assembly Axis		Weight	Water Capacity
	W	H	D	C		S	L	kg.	lt.
PIS0450068814	450	688	60	410	14	545	290	4,7	2,9
PIS0500068814	500	688	65	460	14	545	340	5,1	3,1
PIS0600068814	600	688	70	560	14	545	440	5,8	3,6
PIS0750068814	750	688	80	710	14	545	590	6,9	4,3
PIS0450111822	450	1118	60	410	22	975	290	7,5	4,7
PIS0500111822	500	1118	65	460	22	975	340	8,1	5,0
PIS0600111822	600	1118	70	560	22	975	440	9,2	5,7
PIS0750111822	750	1118	80	710	22	975	590	10,9	6,8
PIS0450172034	450	1720	60	410	34	1575	290	11,6	7,2
PIS0500172034	500	1720	65	460	34	1575	340	12,5	7,7
PIS0600172034	600	1720	70	560	34	1575	440	14,2	8,8
PIS0750172034	750	1720	80	710	34	1575	590	16,8	10,5