

# portofino



## AESTHETICAL ERGONOMICS

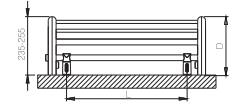
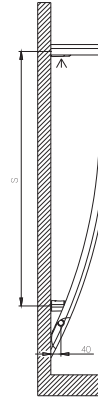
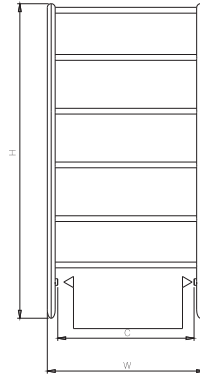
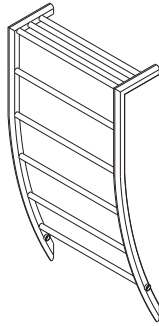
A unique design that provides for ergonomic use. Portofino features a handy rack on top for stacking larger bath towels.



technical specs page 100



**portofino**



material	finish	electric version	wall installation	warranty
steel	RAL painted chrome plated	300 W	vertical	5 years

max. working pressure: 10 bar  
 max. working temperature: 95°C  
 all dimensions are in mm.  
 connections 1/2"

Product Code	Width	Height	Depth	Connection Centers	Tube Quantity	Assembly Axis		Weight	Water Capacity	THERMAL POWER (Painted)			THERMAL POWER (Chrome Plated)		
	W	H	D	C		S	L	kg.	lt.	btu	k/cal	watt	btu	k/cal	watt
POR0500120008	500	1200	225	420	8	1000	360	5,4	3,9	1214	306	356	912	229	267
POR0600120008	600	1200	225	520	8	1000	460	5,8	4,1	1323	333	388	994	250	291

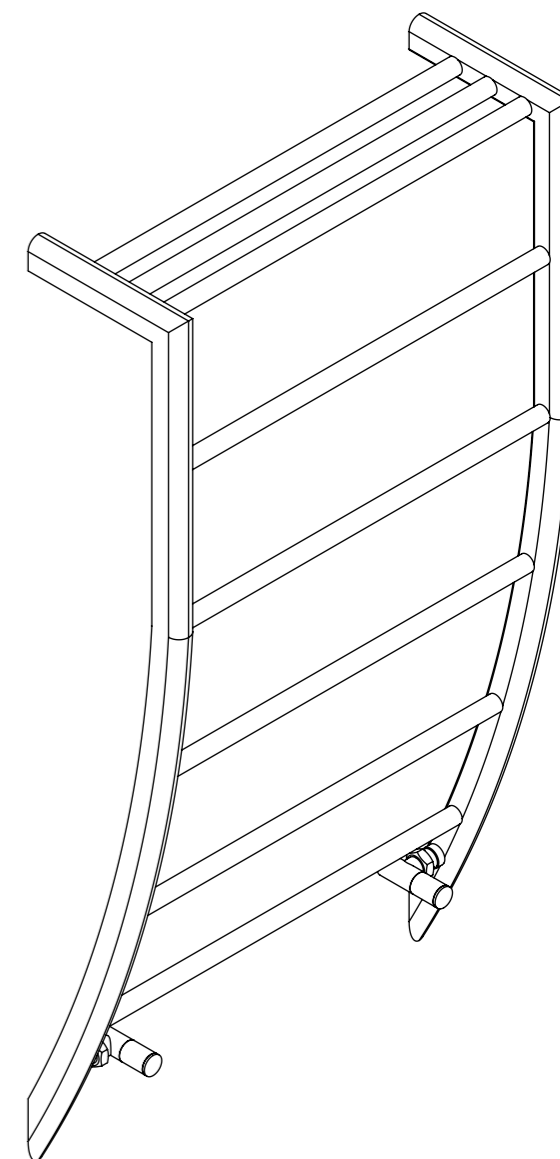
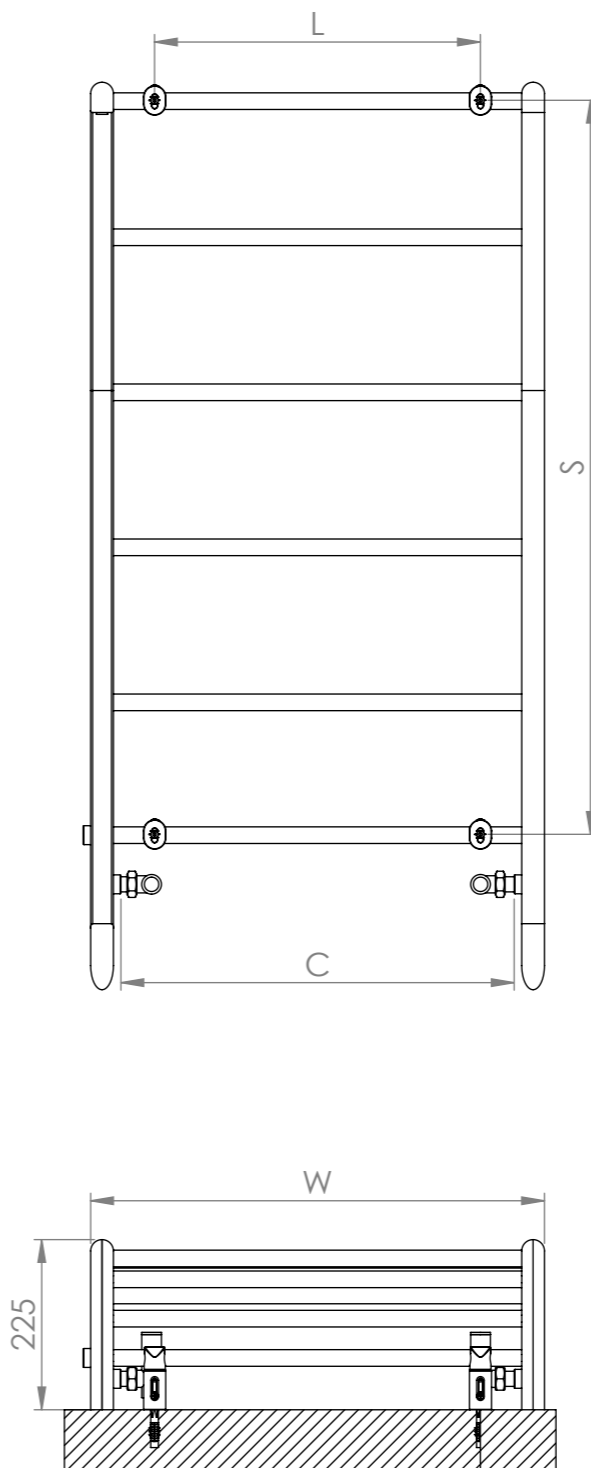
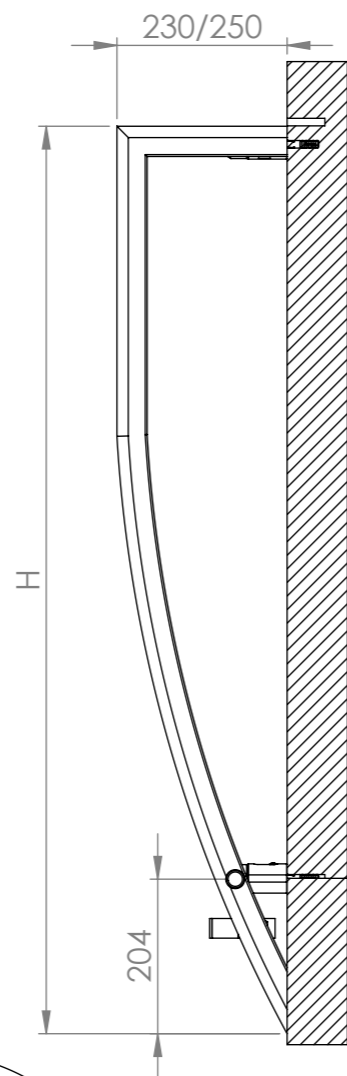
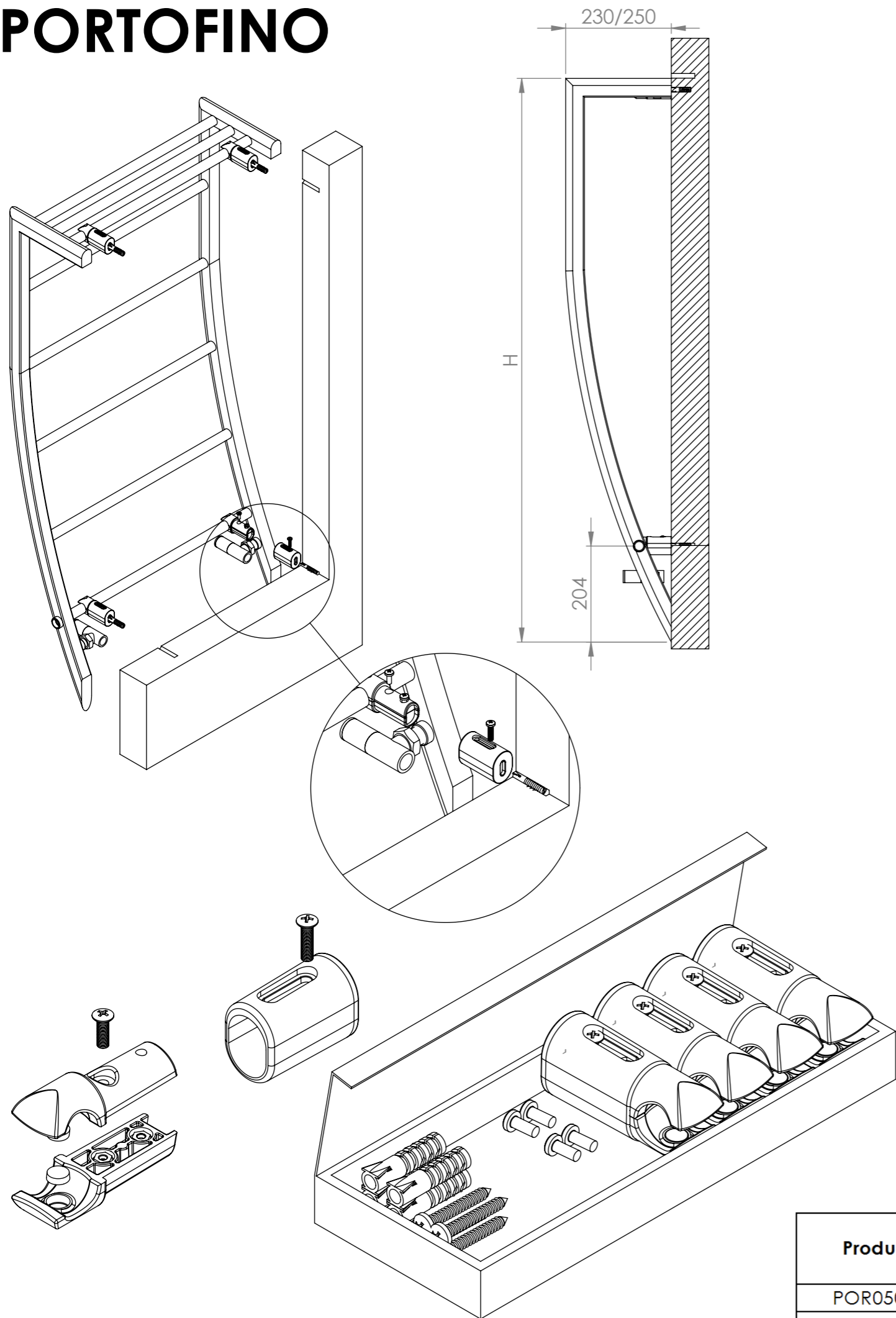
Vermogen (Watt) berekend op 75/65/20 graden Delta T50  
 Bij 90/70/20 graden vermenigvuldig het vermogen met 1.26

# PORTOFINO

The contents of this document are property of Termosan® and should not be copied, reproduced or disclosed to a third party without written consent of the proprietor.

www.carisa.com.tr

www.termosan.com  
info@termosan.com



**carisa**  
design radiator

Product Code	Width	Height	Depth	Connection Centers	Tube Quantity	Assembly Axis		Weight	Water Capacity
	W	H	D	C		S	L	kg.	lt.
POR0500120008	500	1200	225	420	8	970	360	5,4	3,9
POR0600120008	600	1200	225	520	8	970	460	5,8	4,1