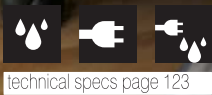
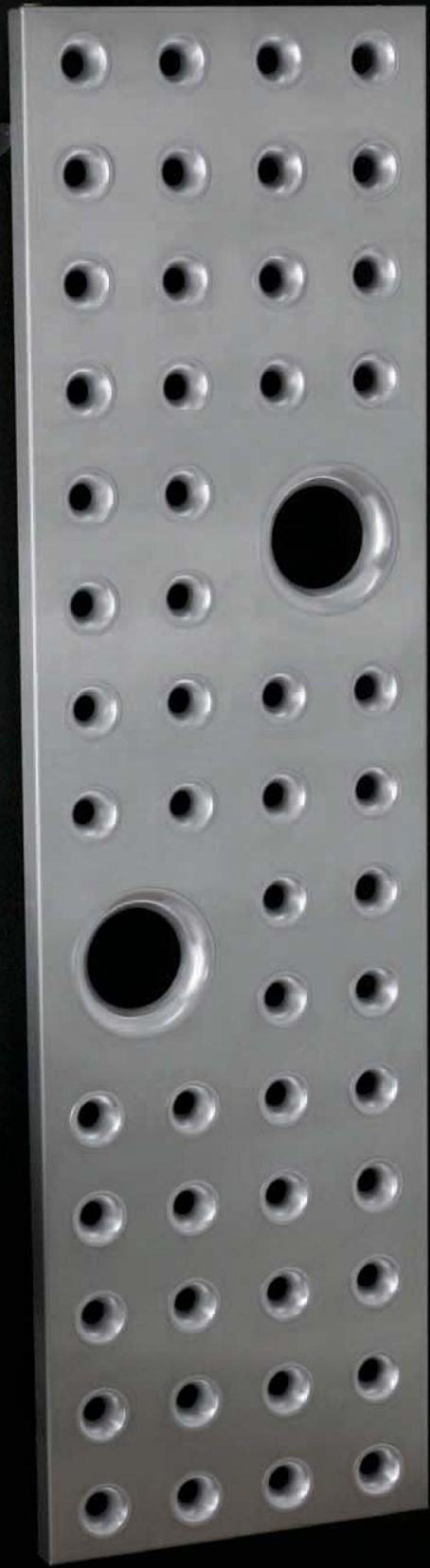


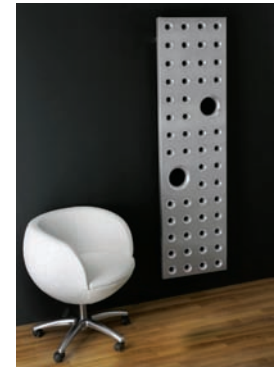
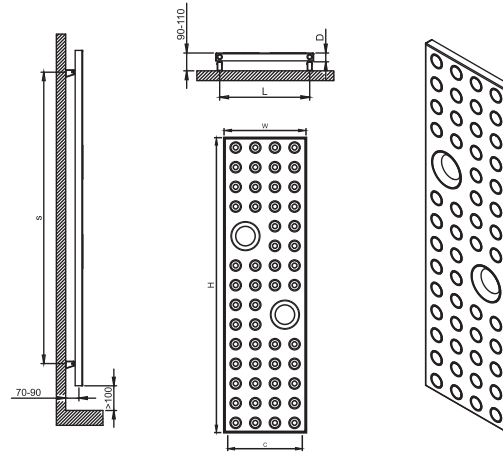
# riddle

RIDDLE ME THIS, RIDDLE ME THAT  
More than just a radiator – speak volumes with this contemporary piece of high-end design. Sculptured inspiration from Carisa's radiant design team.



<b>material</b>	stainless steel steel
<b>finish</b>	satin polished
<b>electric version</b>	900 W
<b>wall installation</b>	vertical
<b>warranty</b>	5 years

max. working pressure: 10 bar  
max. working temperature: 95°C  
all dimensions are in mm.  
connections 1/2"



**riddle**

Product Code	Width	Height	Depth	Connection Centers	Tube Quantity	Assembly Axis		Weight	Water Capacity	THERMAL POWER		
	W	H	D	C		S	L	kg.	lt.	btu	k/cal	watt
RID050018000009	500	1800	40	460	-	1565	460	32,5	10,6	3340	842	979

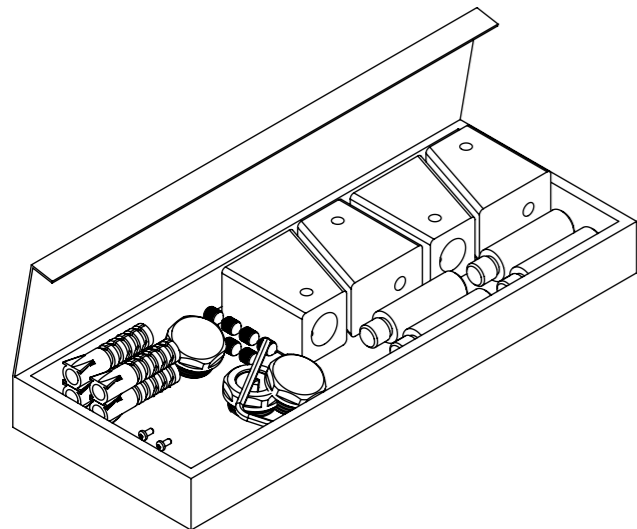
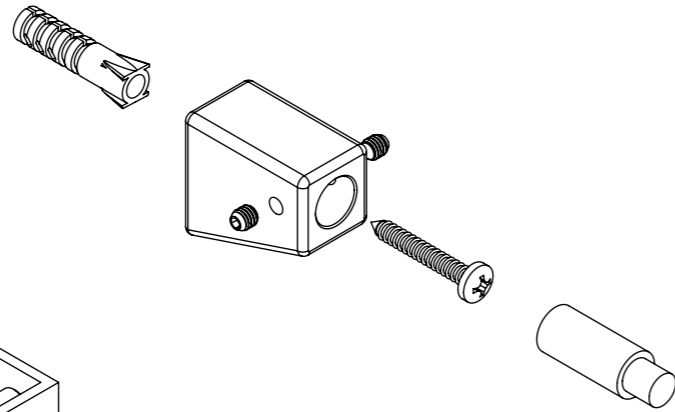
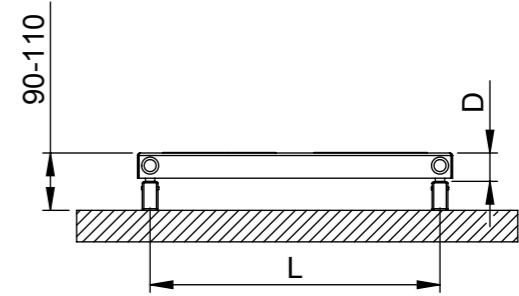
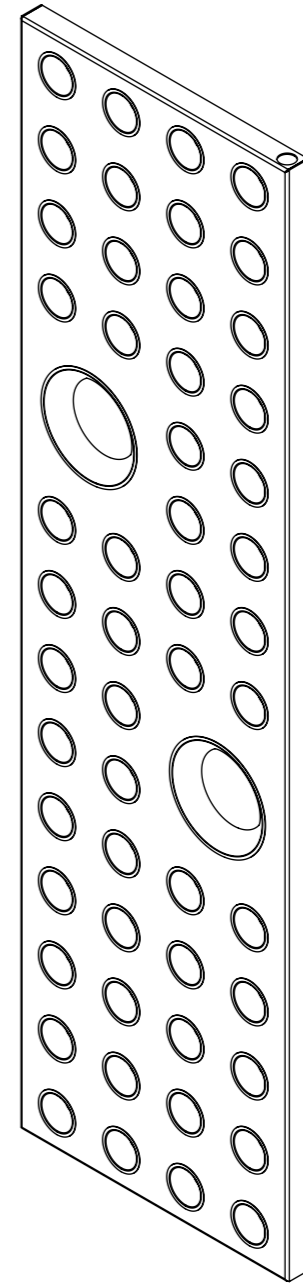
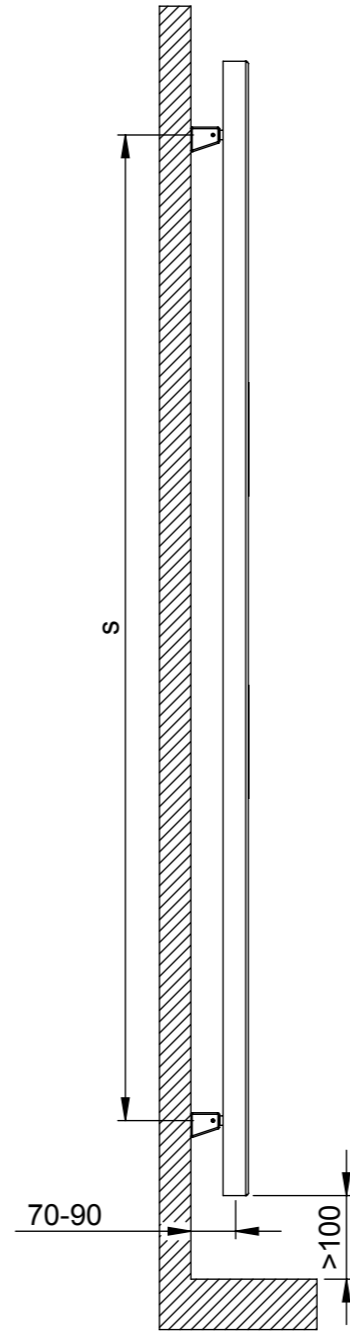
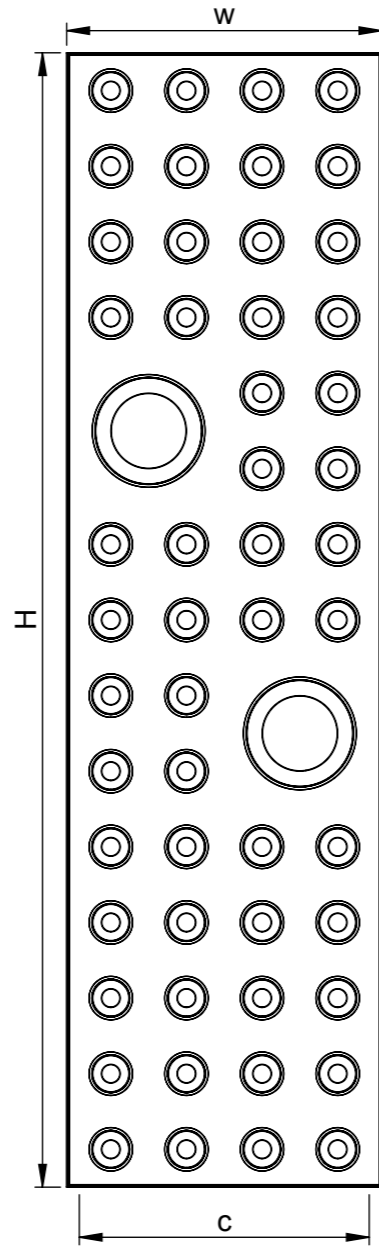
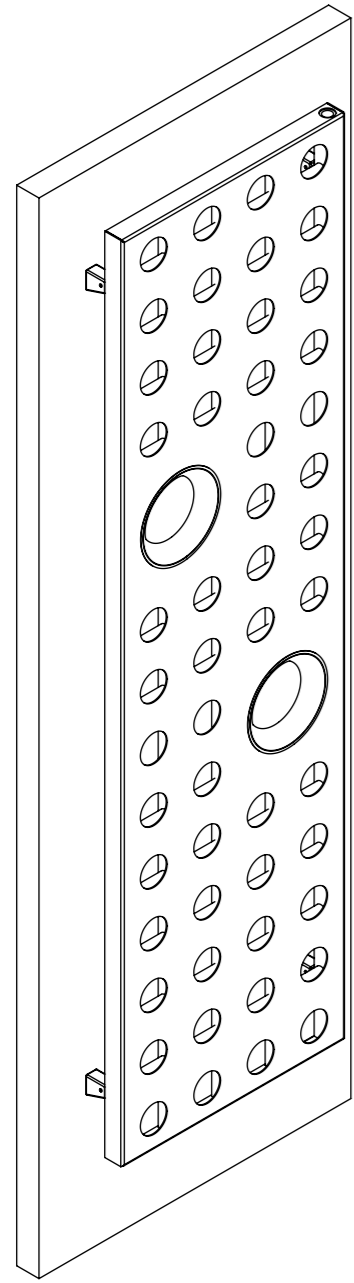
Vermogen (Watt) berekend op 75/65/20 graden Delta T50  
Bij 90/70/20 graden vermenigvuldig het vermogen met 1.26

# RIDDLE

The contents of this document are property of **Termosan**<sup>®</sup> and should not be copied, reproduced or disclosed to a third party without written consent of the proprietor.

www.carisa.com.tr

www.termosan.com  
info@termosan.com




**carisa**<sup>®</sup>  
design radiator

Product Code	Width	Height	Depth	Connection Centers	Tube Quantity	Assembly Axis		Weight	Water Capacity
	W	H	D			S	L		
RID050018000009	500	1800	40	460	-	1565	460	33	11