

rion

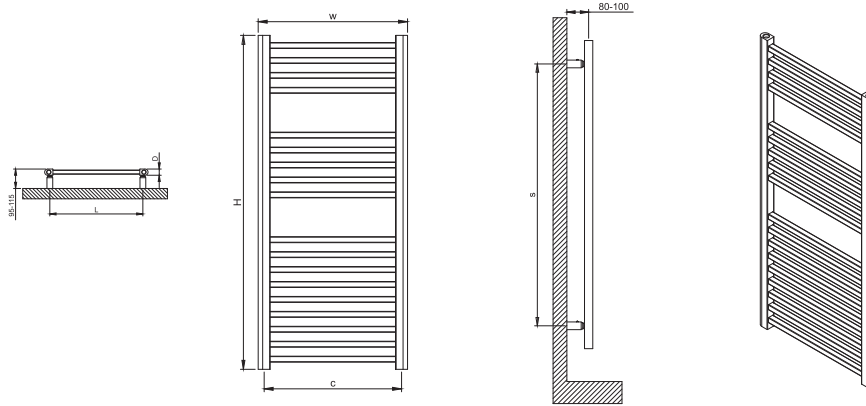


SQUARE BARS AND SOFT TOWELS

Contemporary design with a high-polish chrome finish. Re-introducing and re-sculpting a Carisa classic in the arena of radiant towel warming. Only from Carisa.



technical specs page 101



rion

material	finish	electric version	wall installation	warranty
steel	RAL painted chrome plated	300 W 600 W	vertical	5 years

max. working pressure: 10 bar
all dimensions are in mm.
max. working temperature: 95°C
connections 1/2"

Product Code	Width	Height	Depth	Connection Centers	Tube Quantity	Assembly Axis		Weight	Water Capacity	THERMAL POWER (Painted)			THERMAL POWER (Chrome Plated)		
	W	H	D	C		S	L	kg.	lt.	btu	k/cal	watt	btu	k/cal	watt
RI00500082014	500	820	30	460	14	652	450	7,5	3,3	1274	321	373	997	251	292
RI00500111818	500	1118	30	460	18	950	450	9,9	4,3	1668	420	489	1306	329	383
RI00500142022	500	1420	30	460	22	1252	450	12,2	5,4	2065	520	605	1616	407	474

Vermogen (Watt) berekend op 75/65/20 graden Delta T50
Bij 90/70/20 graden vermenigvuldig het vermogen met 1.26

RION

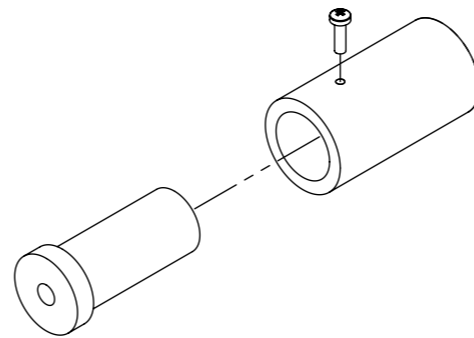
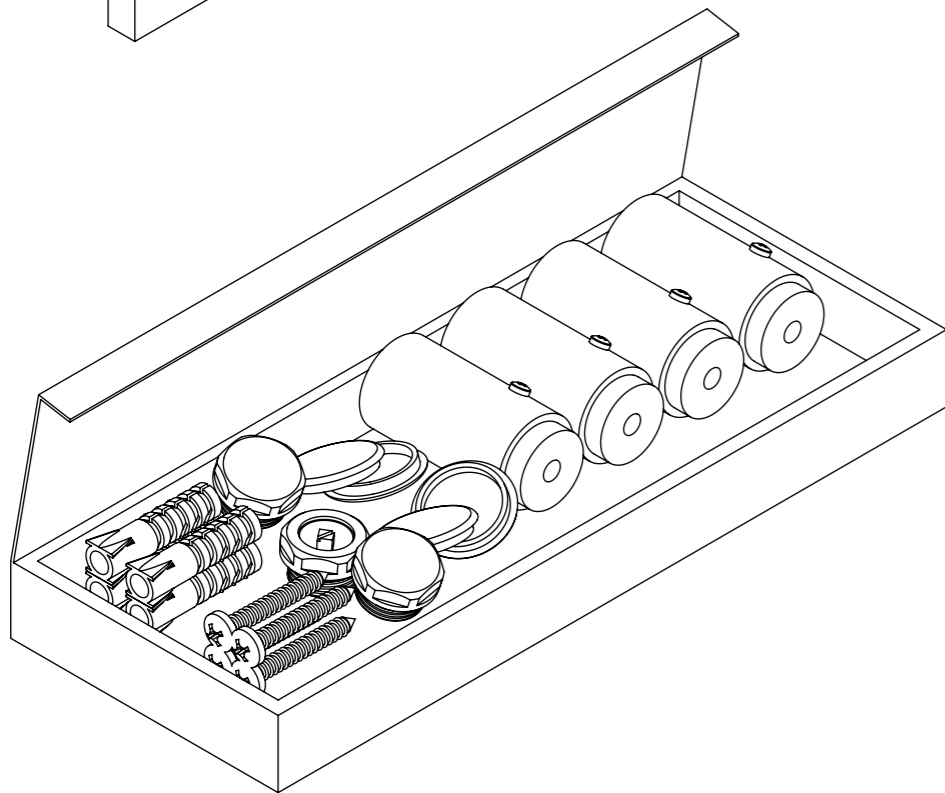
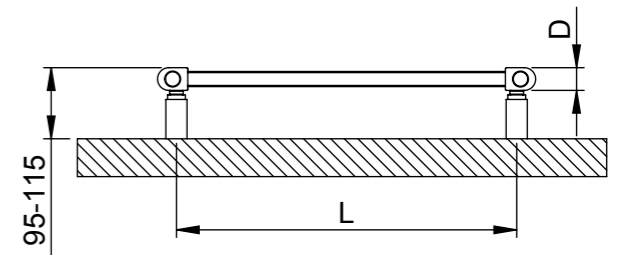
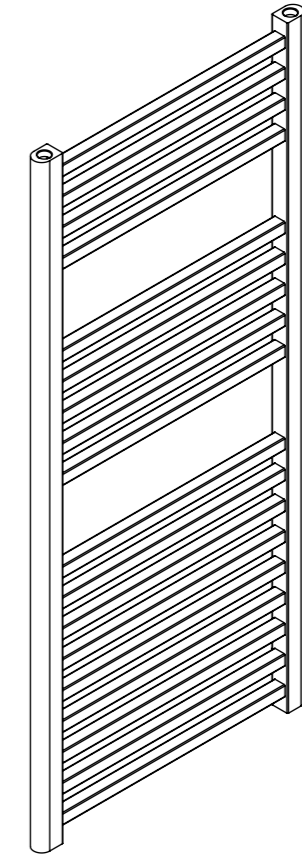
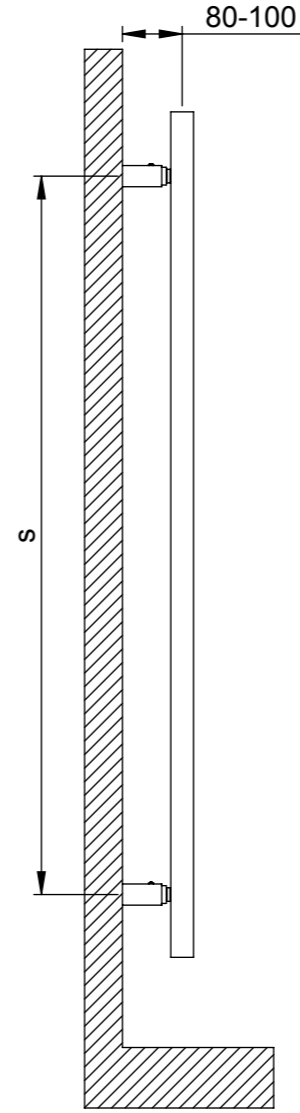
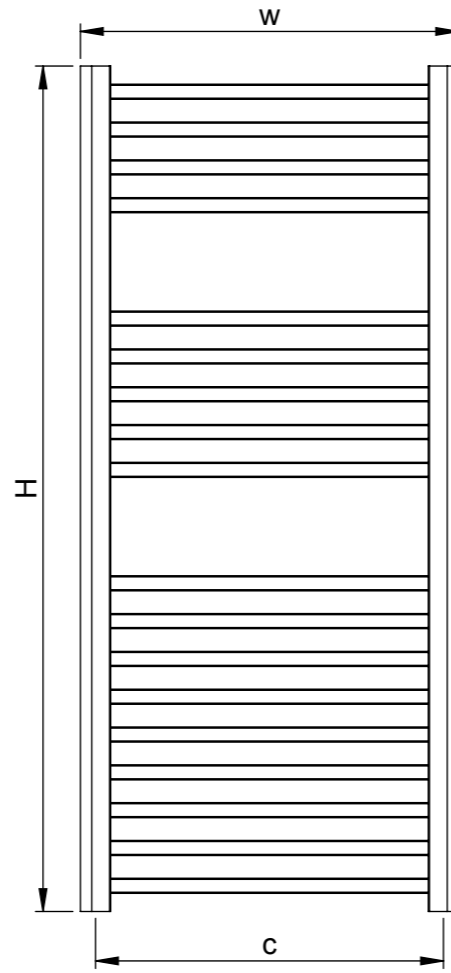
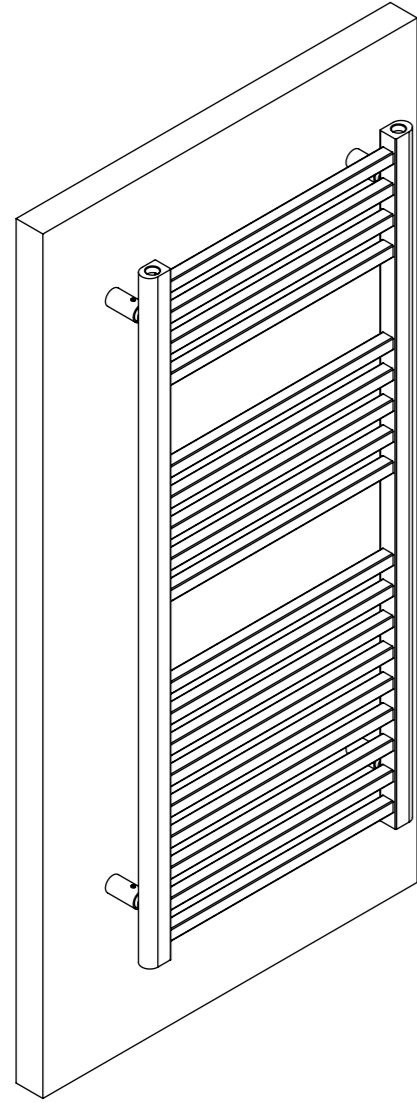


carisa
design radiator

The contents of this document are property of Termosan® and should not be copied, reproduced or disclosed to a third party without written consent of the proprietor.

www.carisa.com.tr

www.termosan.com
info@termosan.com



Product Code	Width	Height	Depth	Connection Centers	Tube Quantity	Assembly Axis		Weight	Water Capacity
	W	H	D	C		S	L		
RIO0500082014	500	820	30	460	14	652	450	7,5	3,3
RIO0500111818	500	1118	30	460	18	950	450	9,9	4,3
RIO0500142022	500	1420	30	460	22	1252	450	12,2	5,4