

rubin

17

MINIMALIST TOWEL WARMING

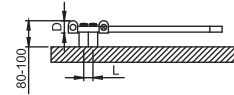
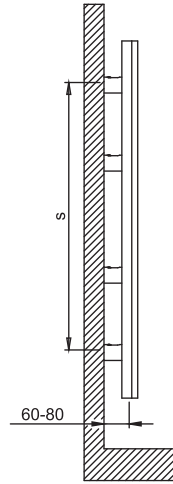
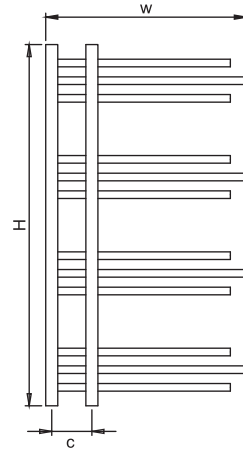
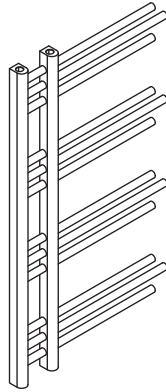
The Rubin presents its tubes of warmth. A classic design with a contemporary twist...it's what you have come to expect from Carisa.



technical specs page 102



rubin



material	finish	electric version	wall installation	warranty
steel	RAL painted chrome plated	300 W	vertical	5 years

max. working pressure: 10 bar
all dimensions are in mm.
max. working temperature: 95°C
connections 1/2"

Product Code	Width	Height	Depth	Connection Centers	Tube Quantity	Assembly Axis		Weight	Water Capacity	THERMAL POWER (Painted)			THERMAL POWER (Chrome Plated)		
	W	H	D	C		S	L	kg.	lt.	btu	k/cal	watt	btu	k/cal	watt
RUB0500100012	500	1000	40	100	12	675	30	7,4	3,6	1181	297	346	950	239	278

Vermogen (Watt) berekend op 75/65/20 graden Delta T50
Bij 90/70/20 graden vermenigvuldig het vermogen met 1.26

RUBIN

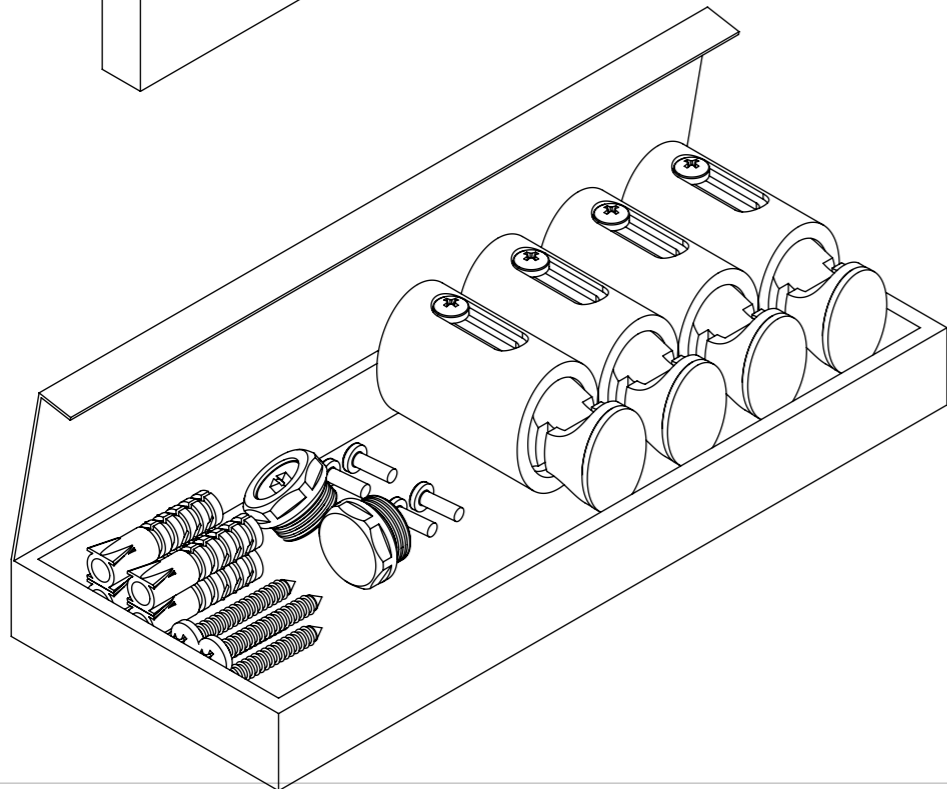
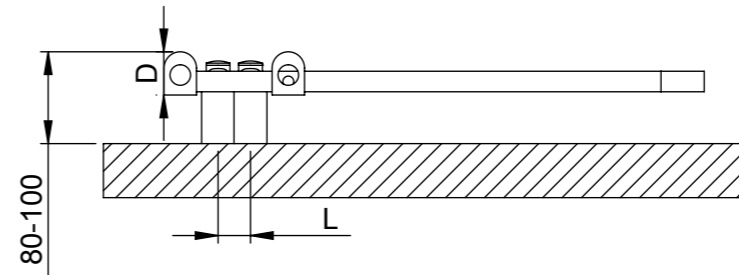
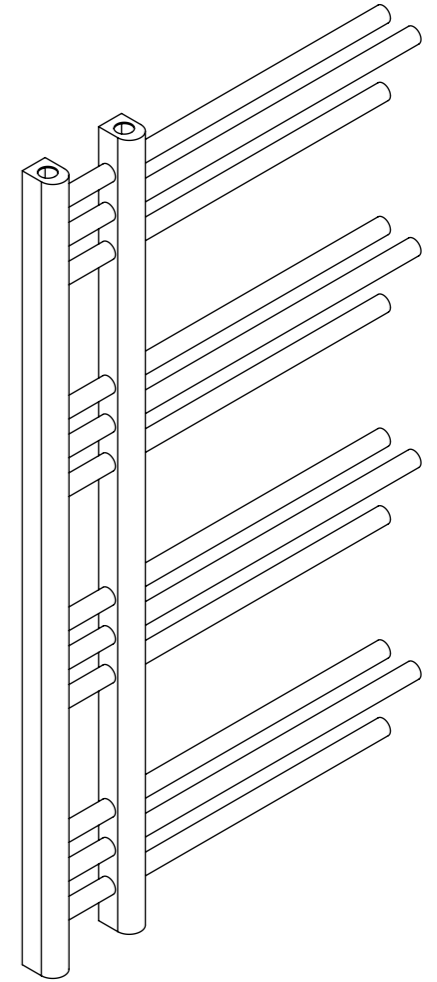
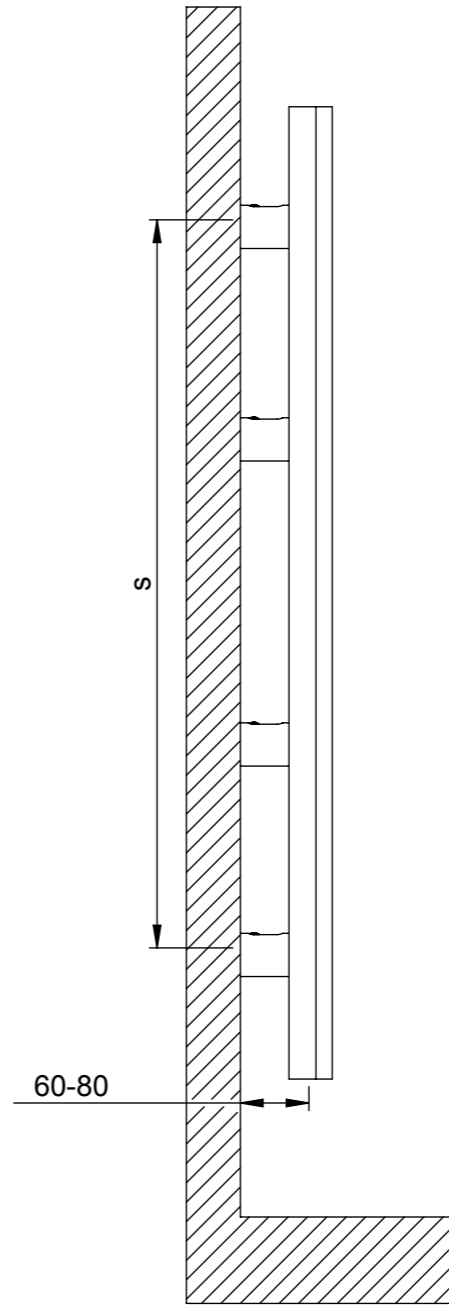
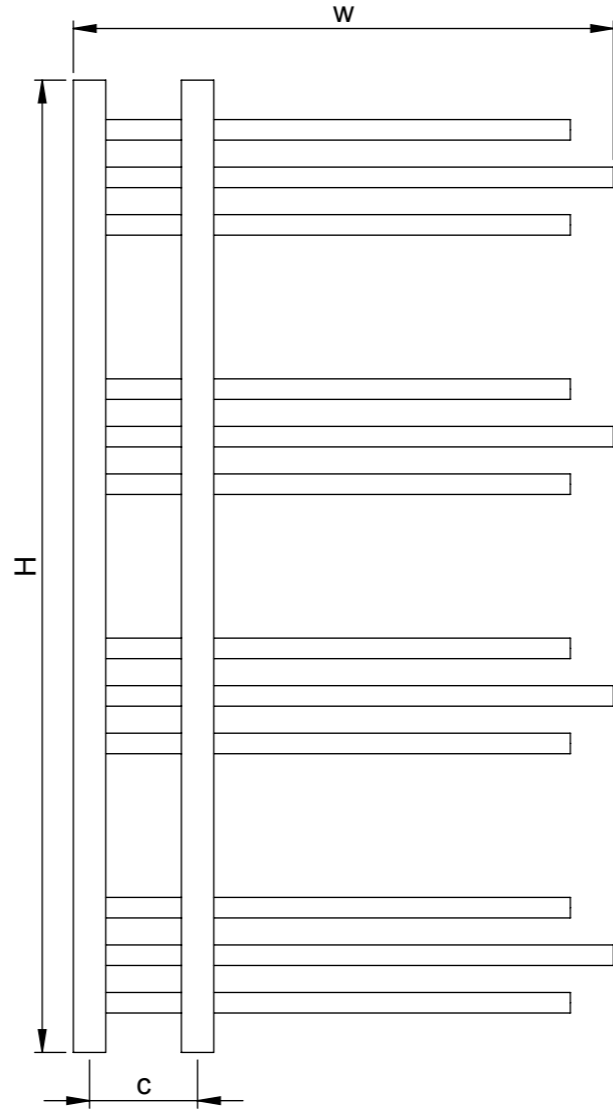
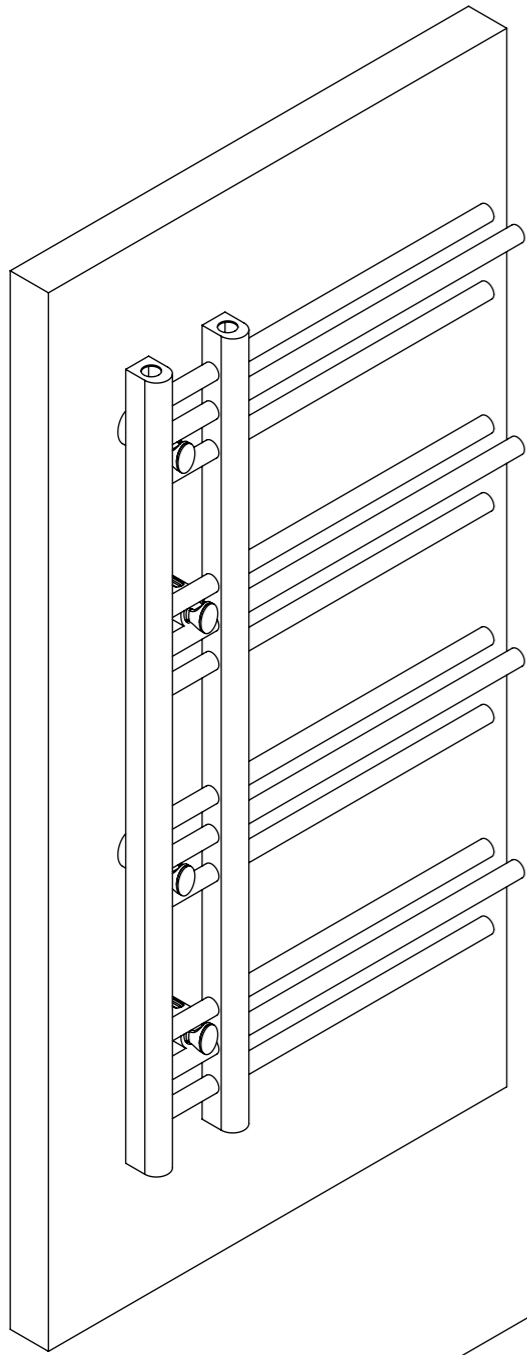


carisa
design radiator

The contents of this document are property of Termosan® and should not be copied, reproduced or disclosed to a third party without written consent of the proprietor.

www.carisa.com.tr

www.termosan.com
info@termosan.com



Product Code	Width	Height	Depth	Connection Centers	Tube Quantity	Assembly Axis		Weight kg.	Water Capacity lt.
	W	H	D			S	L		
RUB0500100012	500	1000	40	100	12	675	30	7,4	3,6