

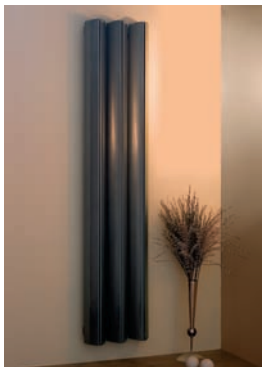
75

**spada**

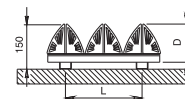
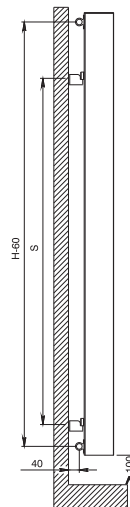
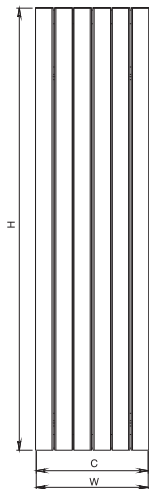
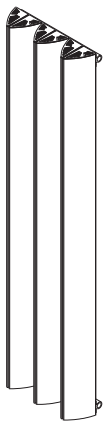
COMFORTABLE WARMNESS

Sharp profiles and aesthetic sculping, together with high heat capacity and a linear look. Spada will be your first choice if you are looking for more than one feature!





**spada**



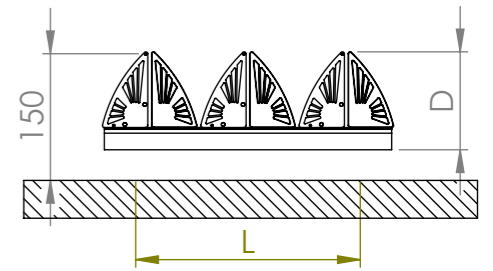
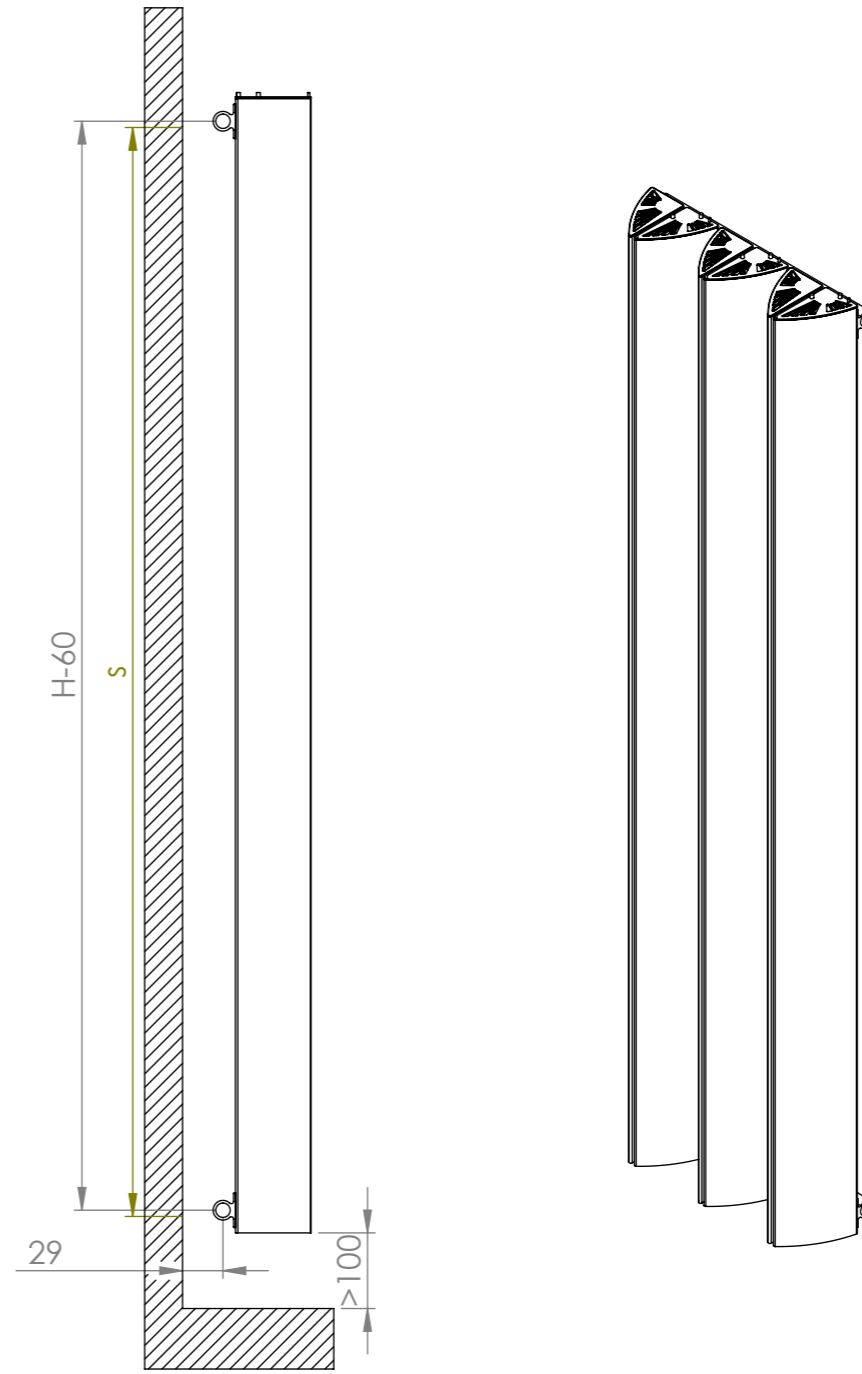
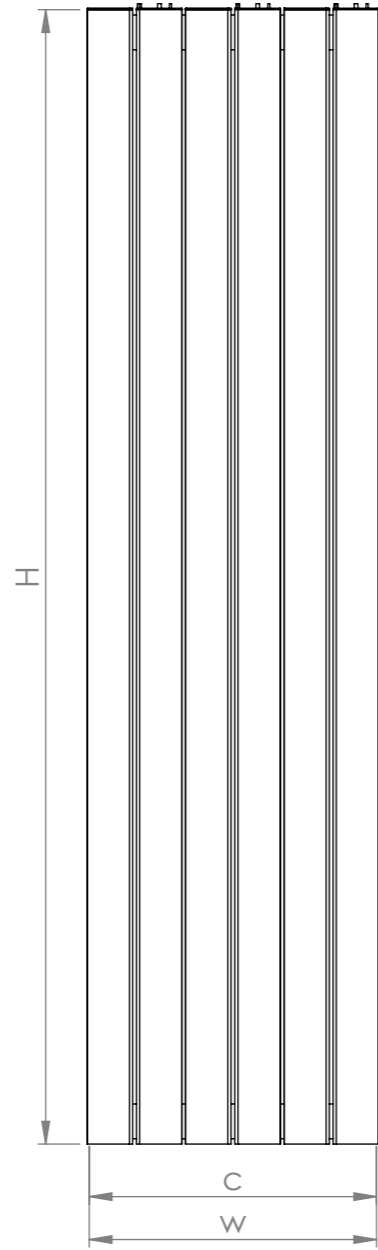
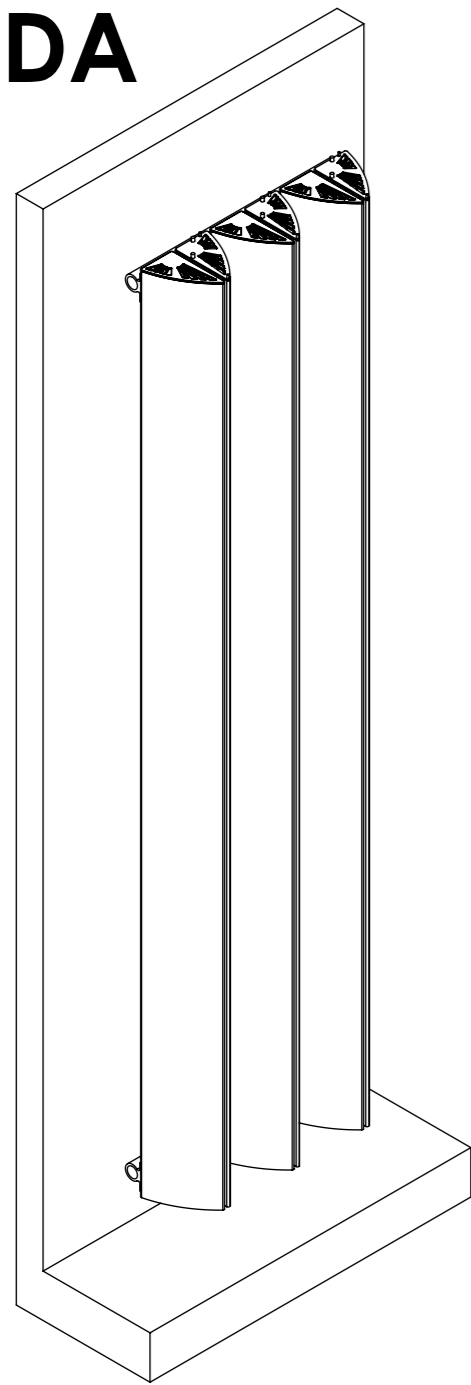
material	finish	electric version	wall installation	warranty
aluminium	anodized	not available	vertical horizontal	5 years

max. working pressure: 5 bar  
 max. working temperature: 95°C  
 all dimensions are in mm.  
 connections 1/2"

Product Code	Width	Height	Depth	Connection Centers	Tube Quantity	Assembly Axis		Weight	Water Capacity	THERMAL POWER (Anodized)		
	W	H	D	C		S	L	kg.	lt.	btu	k/cal	watt
SPA0255150004	255	1500	130	255	4	1075	130	14,8	1,8	4323	1089	1266
SPA0255180004	255	1800	130	255	4	1375	130	17,7	2,2	5187	1306	1519
SPA0385150006	385	1500	130	385	6	1075	260	22,3	2,7	5870	1478	1719
SPA0385180006	385	1800	130	385	6	1375	260	26,6	3,2	7786	1961	2280
SPA0515150008	515	1500	130	515	8	1075	390	29,7	3,6	8650	2178	2533
SPA0515180009	515	1800	130	515	8	1375	390	35,4	4,3	10382	2614	3040

Vermogen (Watt) berekend op 75/65/20 graden Delta T50  
 Bij 90/70/20 graden vermenigvuldig het vermogen met 1.26



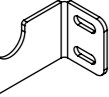
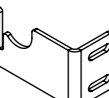

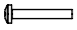
# SPADA



The contents of this document are property of Termosan® and should not be copied, reproduced or disclosed to a third party without written consent of the proprietor.

www.carisa.com.tr

www.termosan.com  
info@termosan.com

-  x1 pcs Airvent
  -  x 1 Blind Tape
  -  x 4 Bracket Left
  -  x 4 Bracket Right
  -  x 4 Plug
  -  x 4 Screw
- Flow 1/2"

Return 1/2"

Radiator

Flow 1/2"

Return 1/2"

Radiator

Flow 1/2"

Return 1/2"

Radiator

Product Code	Width	Height	Depth	Connection Centers	Tube Quantity	Assembly Axis		Weight	Water Capacity
	W	H	D	C		S	L	kg.	lt.
SPA0255150004	255	1500	130	255	4	1075	130	15	1,8
SPA0255180004	255	1800	130	255	4	1375	130	18	2,2
SPA0385150006	385	1500	130	385	6	1075	260	22	2,7
SPA0385180006	385	1800	130	385	6	1375	260	27	3,2
SPA0515150008	515	1500	130	515	8	1075	390	30	3,6
SPA0515180009	515	1800	130	515	8	1375	390	35	4,3