

strider

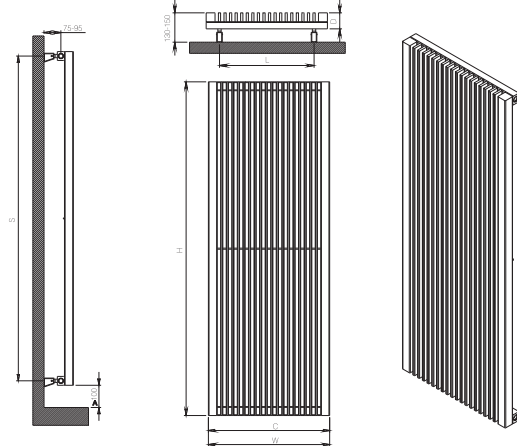
DEMAND EXCITEMENT

A beautifully engineered column design offering a simple classic style. Strider is the perfect match to complete the stylish look of your room.



material	<i>stainless steel</i>
finish	<i>satın polished</i>
electric version	<i>not available</i>
wall installation	<i>vertical / horizontal</i>
warranty	<i>10 years</i>

*max. working pressure: 10 bar
max. working temperature: 95°C
all dimensions are in mm.
connections 1/2"*



strider

Product Code	Width	Height	Depth	Connection Centers	Tube Quantity	Assembly Axis		Weight	Water Capacity	THERMAL POWER		
	W	H	D	C		S	L	kg.	lt.	btu	k/cal	watt
STR024510000809	245	1000	82	245	8	960	125	11,5	4,7	2444	616	716
STR024515000809	245	1500	82	245	8	1460	125	16,6	6,9	3580	902	1049
STR024518000809	245	1800	82	245	8	1760	125	19,7	8,2	4263	1074	1249
STR024520000809	245	2000	82	245	8	1960	125	21,7	9	4717	1189	1382
STR034510001209	345	1000	82	345	12	960	225	16,4	6	3502	882	1026
STR034515001209	345	1500	82	345	12	1460	225	23,6	8,6	5133	1293	1504
STR034518001209	345	1800	82	345	12	1760	225	28,1	10,2	6109	1539	1790
STR034520001209	345	2000	82	345	12	1960	225	30,9	11,3	6765	1705	1982
STR044510001609	445	1000	82	445	16	960	325	21,2	7,2	4560	1149	1336
STR044515001609	445	1500	82	445	16	1460	325	30,7	10,4	6683	1684	1958
STR044518001609	445	1800	82	445	16	1760	325	36,4	12,3	7959	2006	2332
STR044520001609	445	2000	82	445	16	1960	325	40,2	13,6	8809	2220	2581
STR054510002009	545	1000	82	545	20	960	425	26,1	8,4	5618	1416	1646
STR054515002009	545	1500	82	545	20	1460	425	37,8	12,2	8236	2075	2413
STR054518002009	545	1800	82	545	20	1760	425	44,7	14,4	9809	2472	2874
STR054520002009	545	2000	82	545	20	1960	425	49,4	15,9	10857	2736	3181

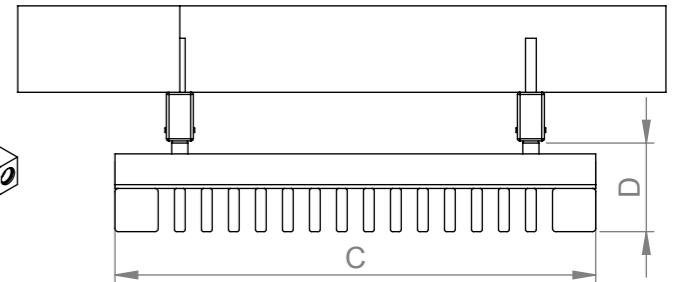
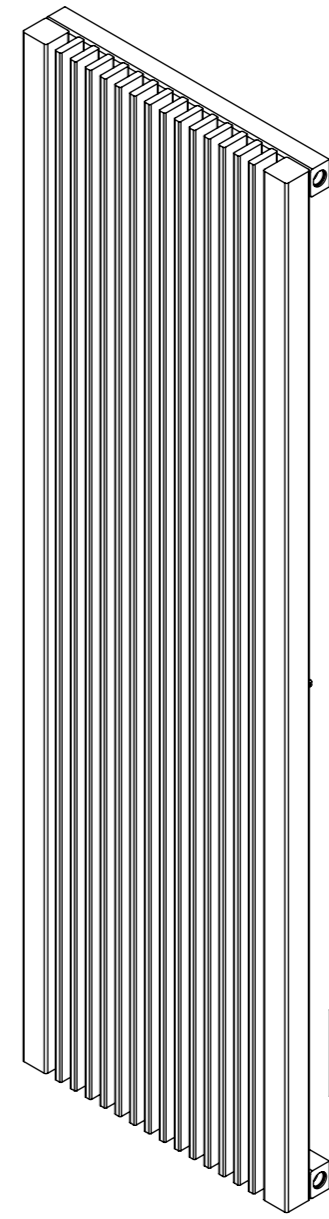
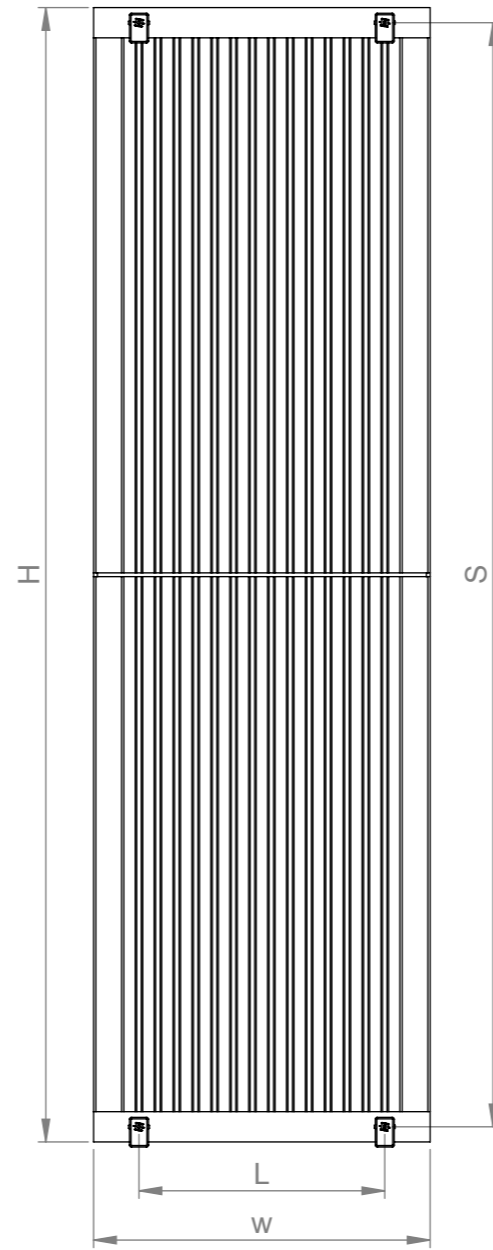
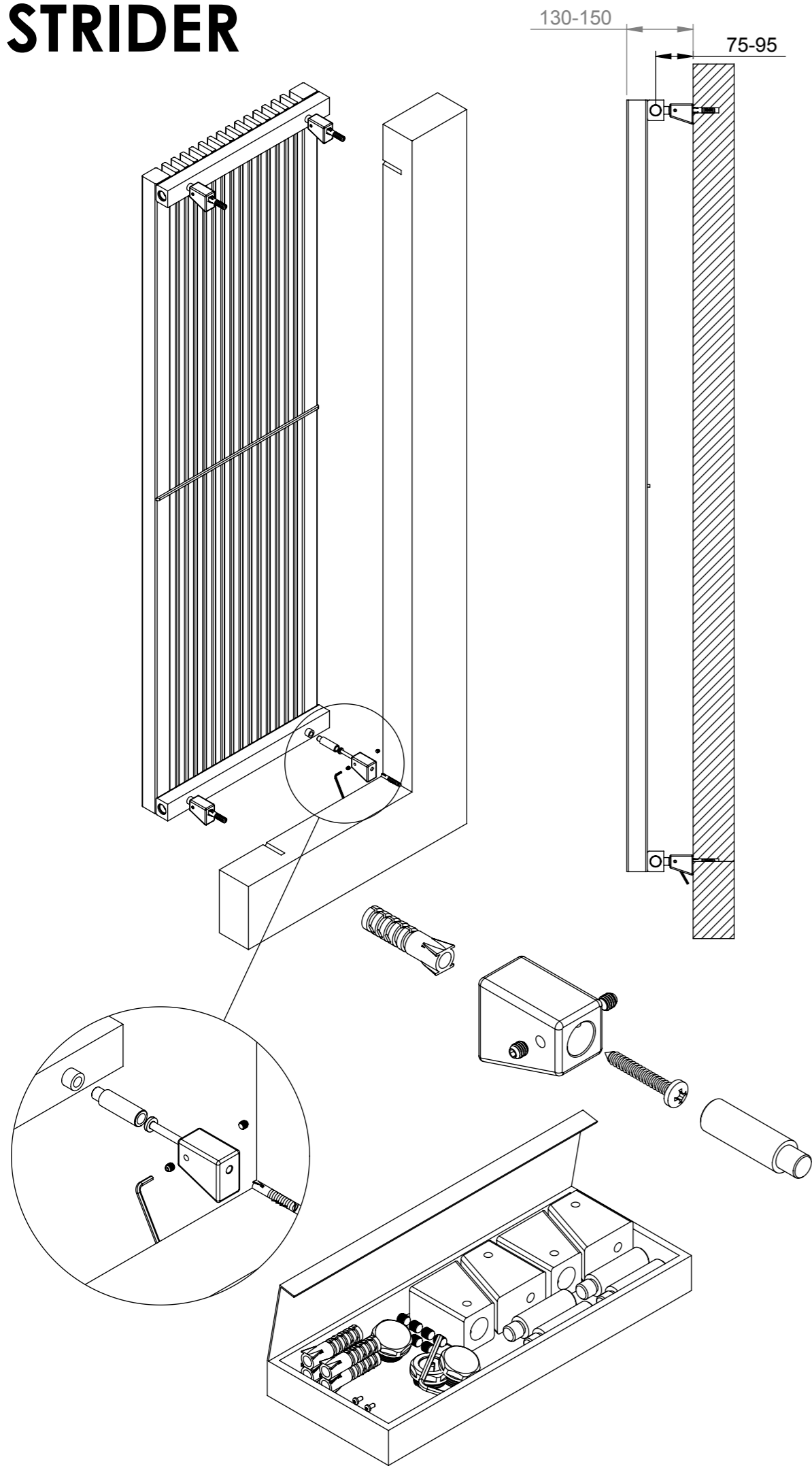
Vermogen (Watt) berekend op 75/65/20 graden Delta T50
Bij 90/70/20 graden vermenigvuldig het vermogen met 1.26

STRIDER

The contents of this document are property of Termosan® and should not be copied, reproduced or disclosed to a third party without written consent of the proprietor.

www.carisa.com.tr

www.termosan.com
info@termosan.com




carisa
design radiator

Product Code	Width	Height	Depth	Connection Centers	Tube Quantity	Assembly Axis		Weight kg.	Water Capacity lt.
	W	H	D	C		S	L		
STR024510000809	245	1000	82	245	8	960	125	11,5	4,7
STR024515000809	245	1500	82	245	8	1460	125	16,6	6,9
STR024518000809	245	1800	82	245	8	1760	125	19,7	8,2
STR024520000809	245	2000	82	245	8	1960	125	21,7	9
STR034510001209	345	1000	82	345	12	960	225	16,4	6
STR034515001209	345	1500	82	345	12	1460	225	23,6	8,6
STR034518001209	345	1800	82	345	12	1760	225	28,1	10,2
STR034520001209	345	2000	82	345	12	1960	225	30,9	11,3
STR044510001609	445	1000	82	445	16	960	325	21,2	7,2
STR044515001609	445	1500	82	445	16	1460	325	30,7	10,4
STR044518001609	445	1800	82	445	16	1760	325	36,4	12,3
STR044520001609	445	2000	82	445	16	1960	325	40,2	13,6
STR054510002009	545	1000	82	545	20	960	425	26,1	8,4
STR054515002009	545	1500	82	545	20	1460	425	37,8	12,2
STR054518002009	545	1800	82	545	20	1760	425	44,7	14,4
STR054520002009	545	2000	82	545	20	1960	425	49,4	15,9