

titan



DUAL POWER

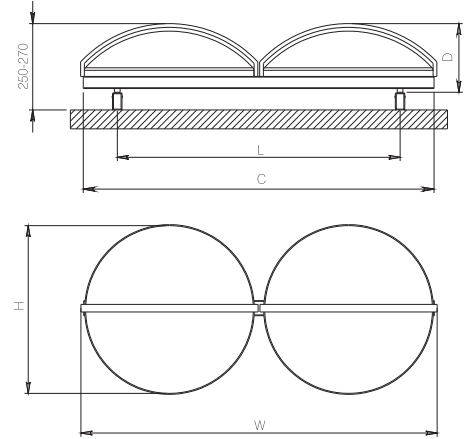
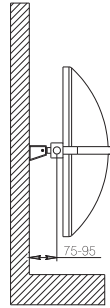
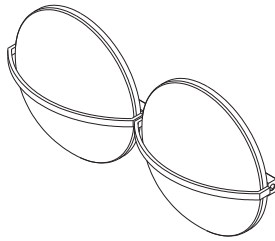
Stainless steel underlines the boldness of this radiator with the design's impressive shape. Meet with the twin forces of heating!



technical specs page 113



titan



material	finish	electric version	wall installation	warranty
stainless steel	satin polished	900 W	horizontal	10 years

max. working pressure: 4 bar
 max. working temperature: 95°C
 all dimensions are in mm.
 connections 1/2"

Product Code	Width	Height	Depth	Connection Centers	Tube Quantity	Assembly Axis		Weight	Water Capacity	THERMAL POWER		
	W	H	D	C		S	L	kg.	lt.	btu	k/cal	watt
TIT093004500009	930	450	200	920	-	-	750	16.6	1.8	3382	852	991

Vermogen (Watt) berekend op 75/65/20 graden Delta T50
 Bij 90/70/20 graden vermenigvuldig het vermogen met 1.26



TITAN

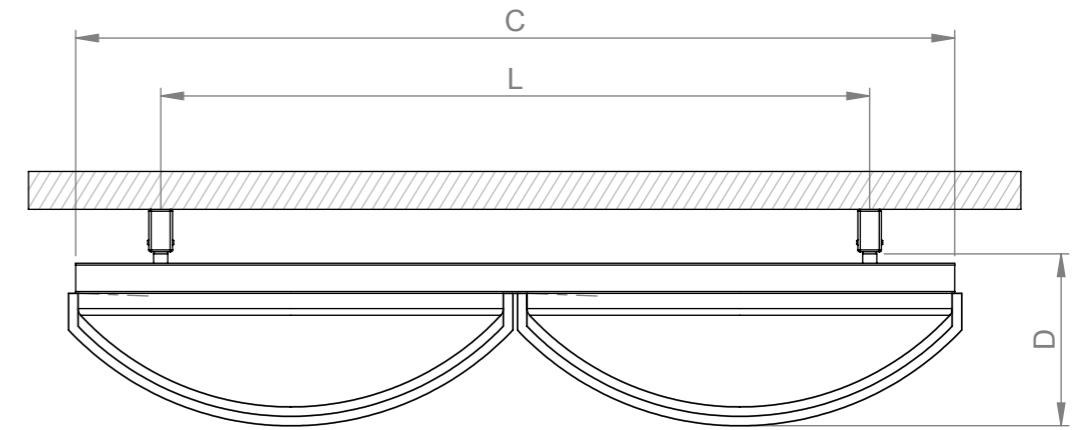
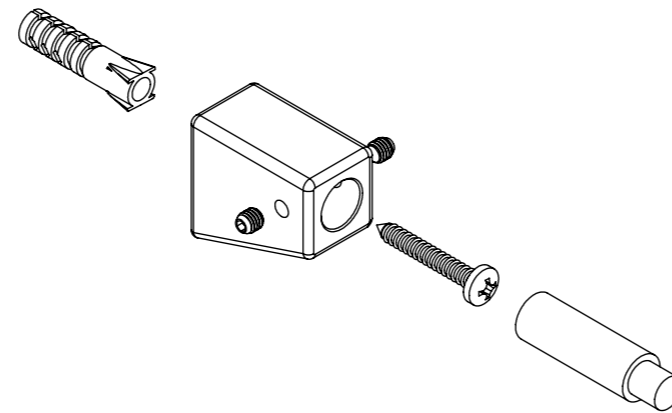
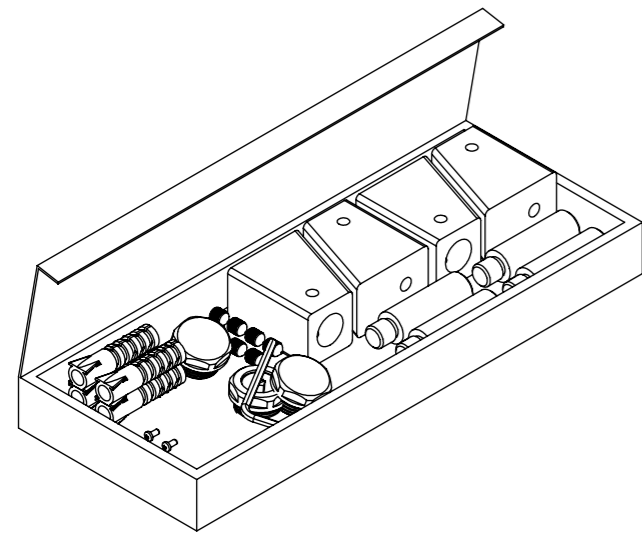
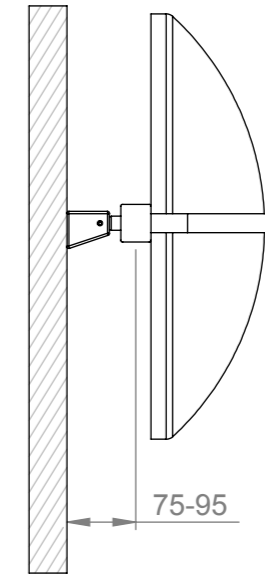
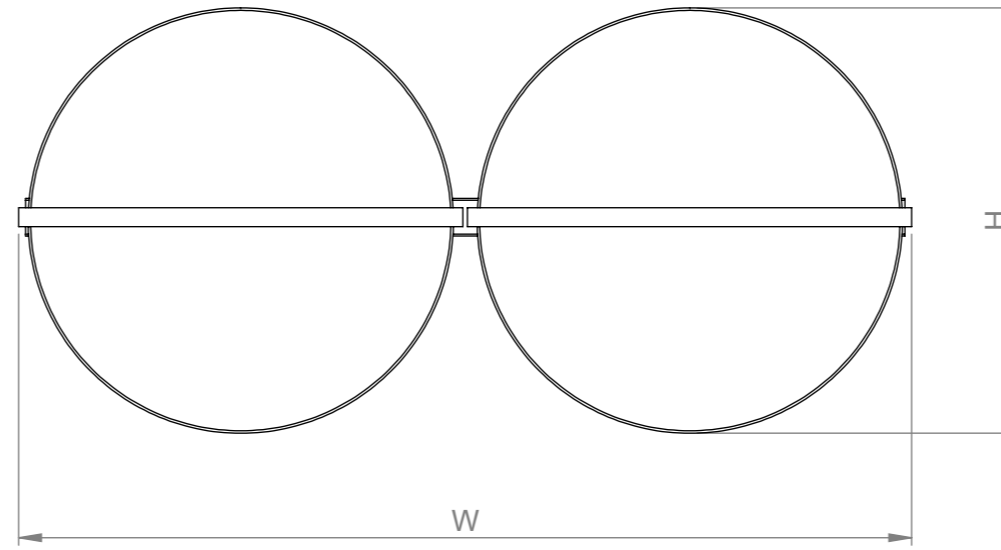
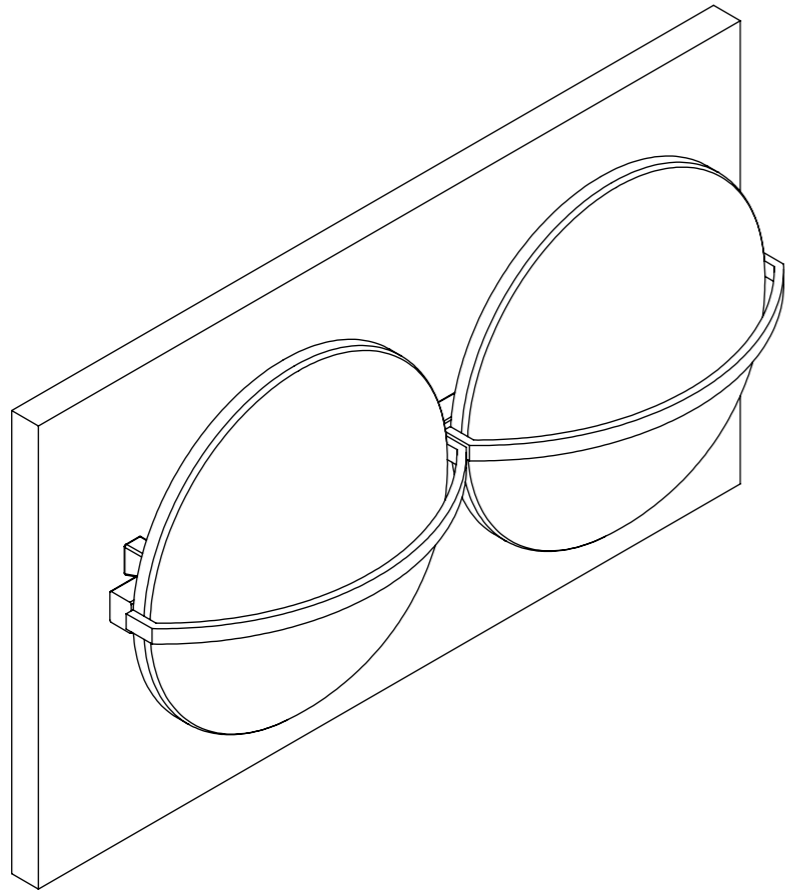


carisa[®]
design radiator

The contents of this document are property of Termosan[®] and should not be copied, reproduced or disclosed to a third party without written consent of the proprietor.

www.carisa.com.tr

www.termosan.com
info@termosan.com



Product Code	Width	Height	Depth	Connection Centers	Tube Quantity	Assembly Axis		Weight	Water Capacity
	W	H	D	C		S	L	kg.	lt.
TIT093004500009	930	450	200	920			750	16,6	1,8