

toledo

CORNERED TALISMAN

Toledo is the new milestone in functionality and aesthetics.

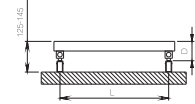
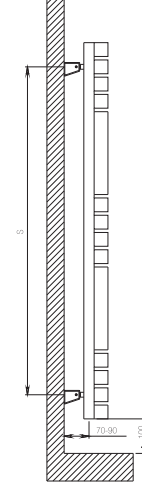
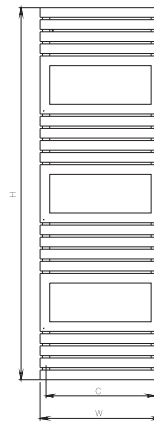
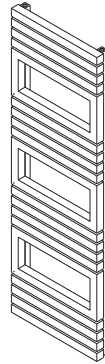
With its cornered tubes and noteworthy heat output,

Toledo will be the new choice of radiator in your bathroom.





toledo



material	finish	electric version	wall installation	warranty
stainless steel	satin polished	900 W 1200 W	vertical	10 years

max. working pressure: 10 bar
 max. working temperature: 95°C
 all dimensions are in mm.
 connections 1/2"

Product Code	Width	Height	Depth	Connection Centers	Tube Quantity	Assembly Axis		Weight	Water Capacity	THERMAL POWER		
	W	H	D	C		S	L	kg.	lt.	btu	k/cal	watt
TOL050010901609	500	1090	82	450	16	950	450	19,5	13,4	3582	902	1049
TOL050015402209	500	1540	82	450	22	1400	450	27	18,6	4970	1252	1456

Vermogen (Watt) berekend op 75/65/20 graden Delta T50
 Bij 90/70/20 graden vermenigvuldig het vermogen met 1.26

TOLEDO

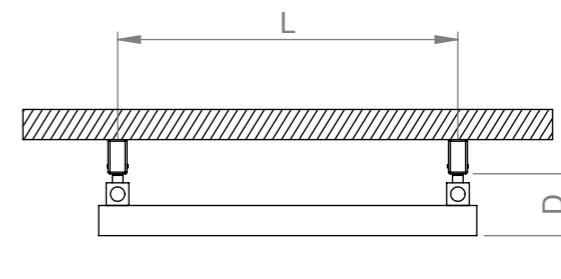
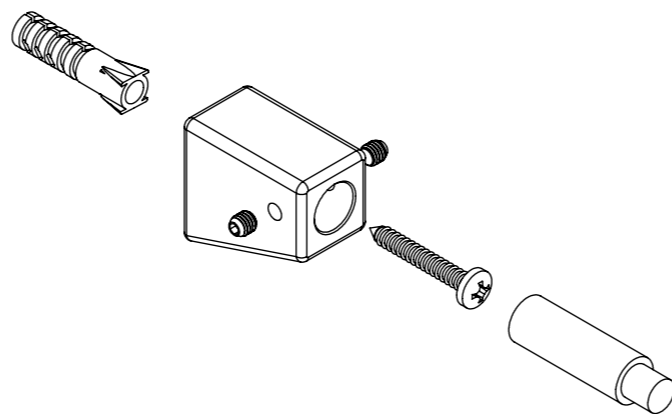
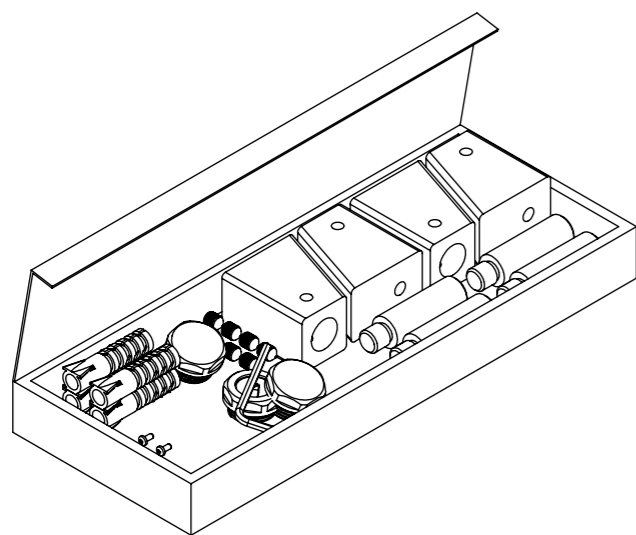
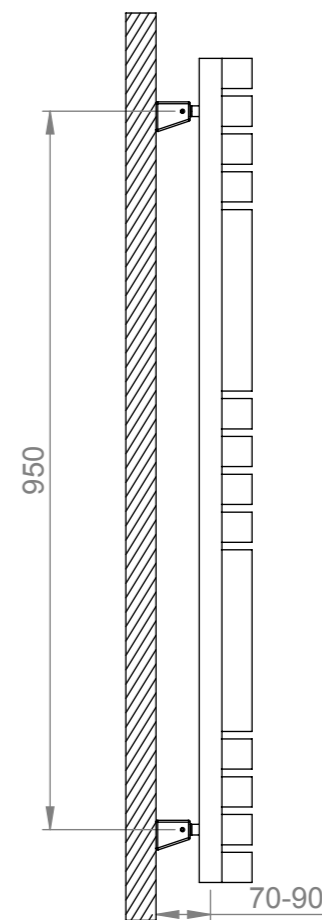
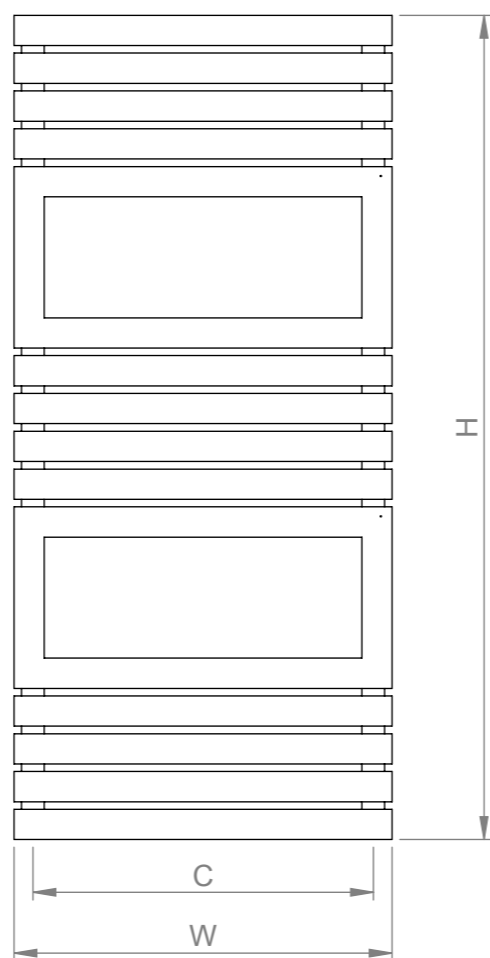
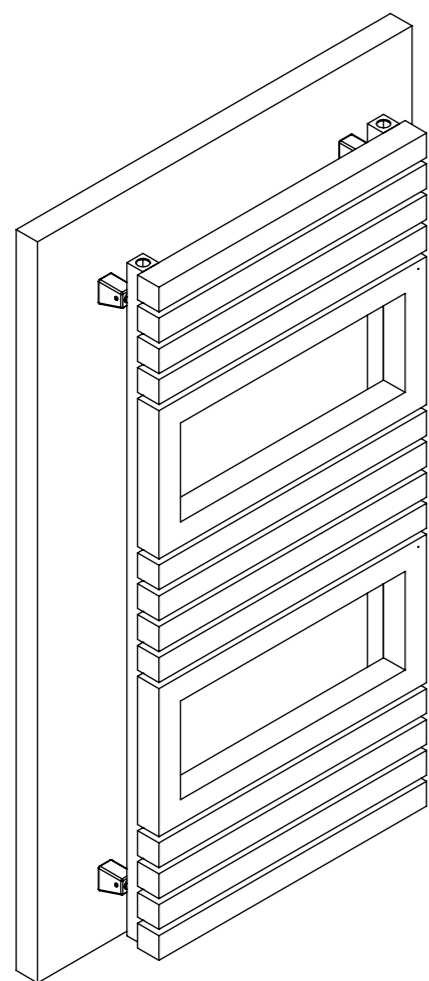


carisa
design radiator

The contents of this document are property of Termosan® and could not be copied, reproduced or disclosed to a third party without written consent of the proprietor.

www.carisa.com.tr

www.termosan.com
info@termosan.com



Product Code	Width	Height	Depth	Connection Centers	Tube Quantity	Assembly Axis		Weight	Water Capacity
	W	H	D			S	L		
TOL050010901609	500	1090	80	450	16	950	450	19,5	13,4
TOL050015402209	500	1540	80	450	22	1400	450	27	18,6