

torpedo

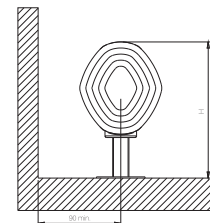
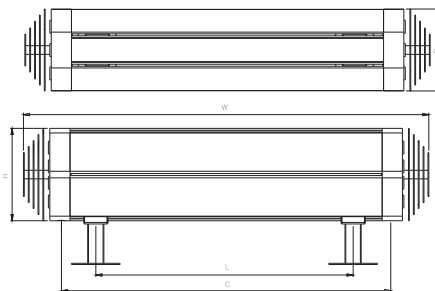
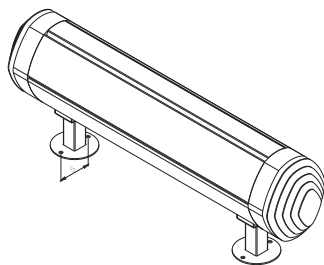


ARMING FOR THE AESTHETICS
Torpedo is designed to address multiple uses. However, one of the major areas of use for this specific radiator is window fronts. Extremely efficient and very affective!





torpedo



material	finish	electric version	wall installation	warranty
stainless steel	anodized	not available	floor standing	5 years
aluminium				

max. working pressure: 8 bar
 max. working temperature: 95°C
 all dimensions are in mm.
 connections 1/2"

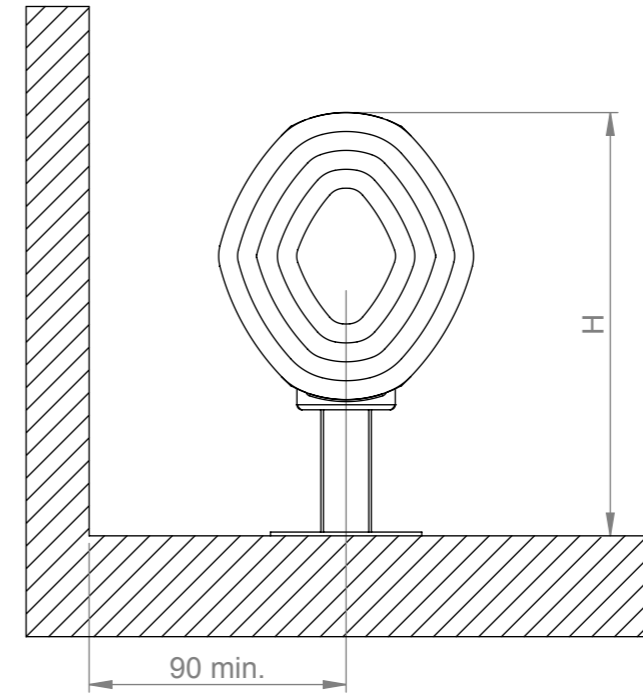
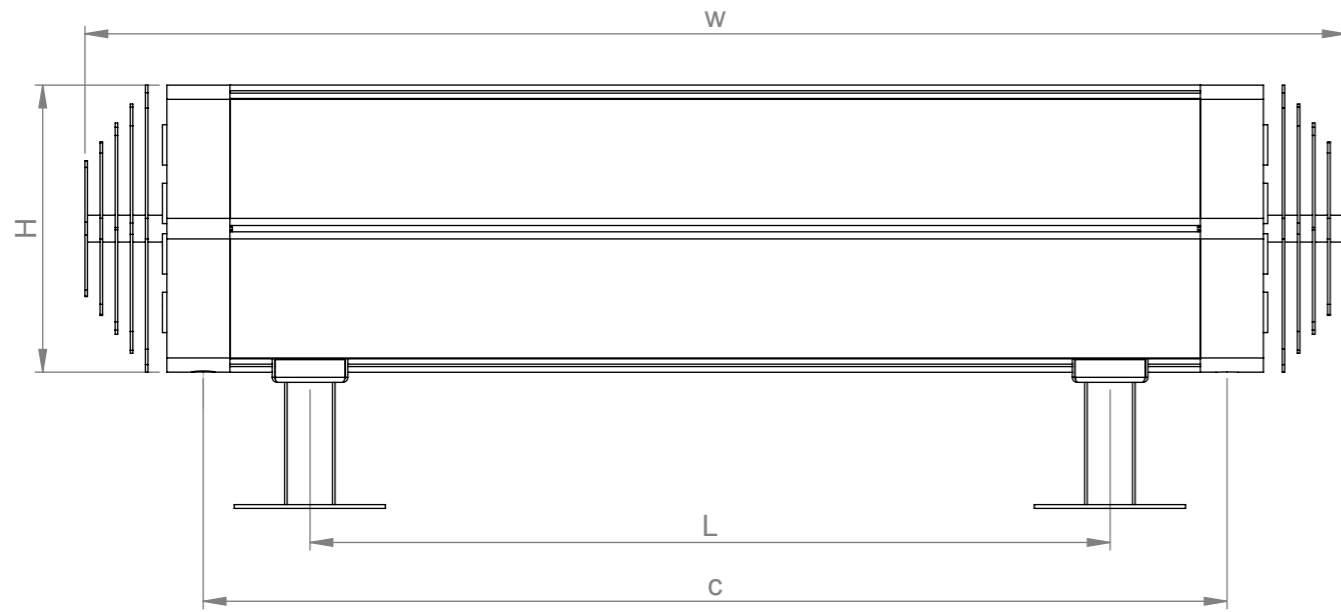
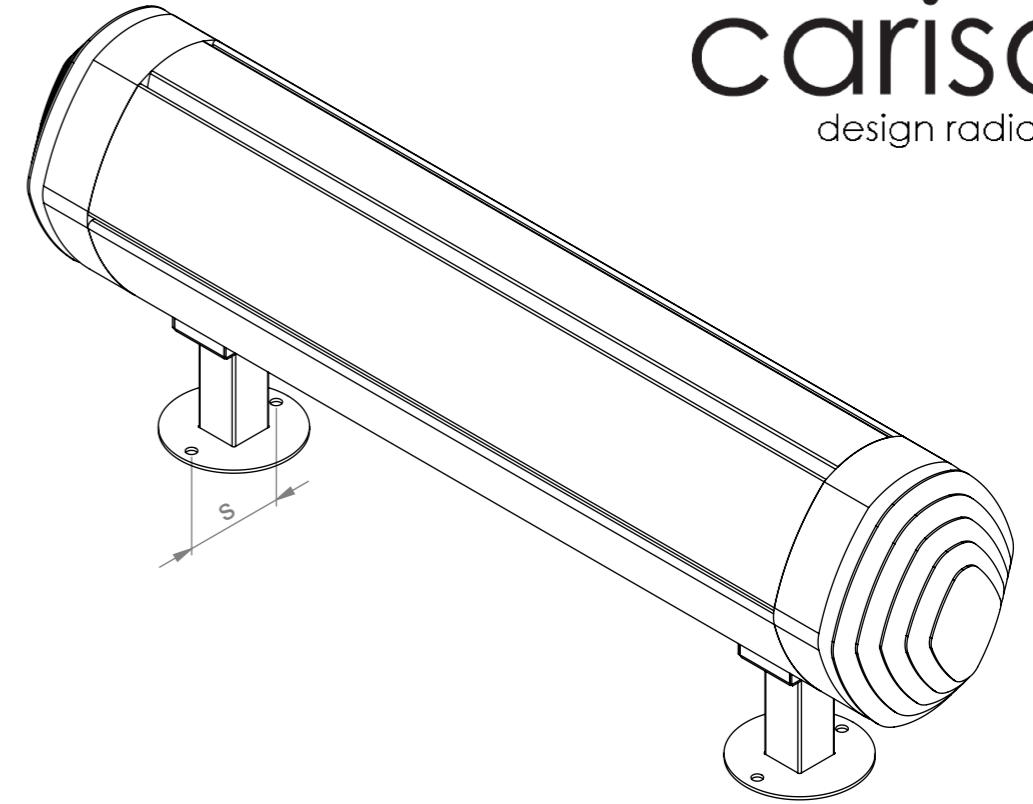
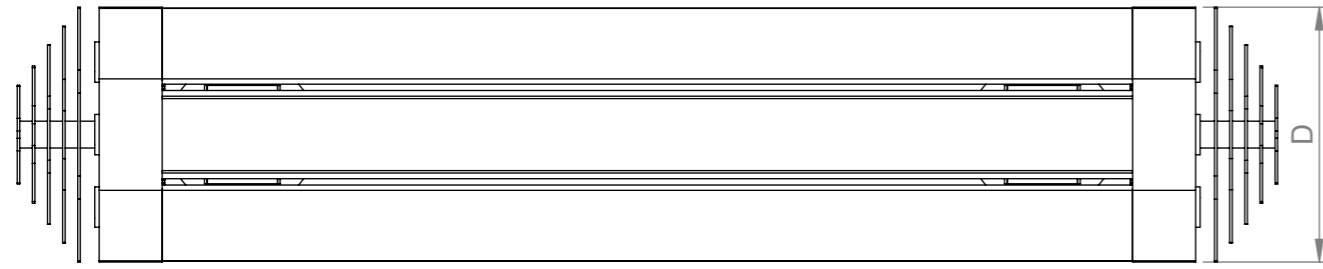
Product Code	Width	Height	Depth	Connection Centers	Tube Quantity	Assembly Axis		Weight	Water Capacity	THERMAL POWER		
	W	H	D	C		S	L	kg.	lt.	btu	k/cal	watt
TRP1000033006	1000	330	200	810	6	-	95	26,1	4,7	3978	1002	1166
TRP1500033006	1500	330	200	1310	6	-	95	33,6	5,5	5614	1415	1645

Vermogen (Watt) berekend op 75/65/20 graden Delta T50
 Bij 90/70/20 graden vermenigvuldig het vermogen met 1.26

TORPEDO



carisa[®]
design radiator



Product Code	Width	Height	Depth	Connection Centers	Tube Quantity	Assembly Axis		Weight	Water Capacity
	W	H	D	C		S	L	kg.	lt.
TRP1000033006	1000	330	200	810	6	95	635	26,1	4,7
TRP1500033006	1500	330	200	1310	6	95	1135	33,6	5,5

The contents of this document are property of **Termosan**[®] and should not be copied, reproduced or disclosed to a third party without written consent of the proprietor.

www.carisa.com.tr

www.termosan.com
info@termosan.com