

**tubon****SIZABLY SUBTLE**

Practicality meets polished design.

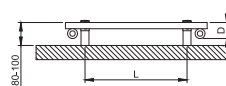
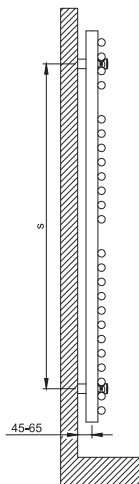
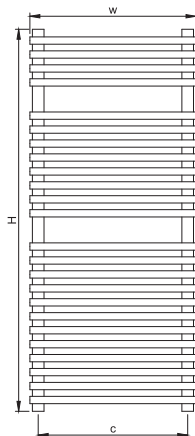
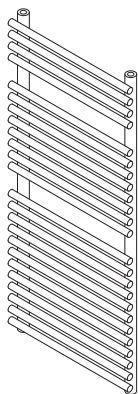
The Tubon brings a high-polish chrome finish to your bathroom; combining high-end looks with functional warming bars.



technical specs page 100



**tubon**



material	finish	electric version	wall installation	warranty
steel	RAL painted chrome plated	300 W 600 W 900 W	vertical	5 years

max. working pressure: 10 bar  
max. working temperature: 95°C  
all dimensions are in mm.  
connections 1/2"

Product Code	Width	Height	Depth	Connection Centers	Tube Quantity	Assembly Axis		Weight	Water Capacity	THERMAL POWER (Painted)			THERMAL POWER (Chrome Plated)		
	W	H	D	C		S	L	kg.	lt.	btu	k/cal	watt	btu	k/cal	watt
TUB0500068814	500	688	56	450	14	495	360	5,2	3,3	1179	297	345	923	233	270
TUB0500115024	500	1150	56	450	24	955	360	8,9	5,6	2010	506	589	1573	396	461
TUB0500146030	500	1460	56	450	30	1265	360	11,4	7,1	2521	635	739	1973	497	578
TUB0600068814	600	688	56	550	14	495	360	6,1	3,8	1362	343	399	1066	269	312
TUB0600115024	600	1150	56	550	24	955	360	10,1	6,4	2324	586	681	1819	458	533
TUB0600146030	600	1460	56	550	30	1265	360	12,8	8	2914	734	854	2281	575	668

Vermogen (Watt) berekend op 75/65/20 graden Delta T50  
Bij 90/70/20 graden vermenigvuldig het vermogen met 1.26

# TUBON

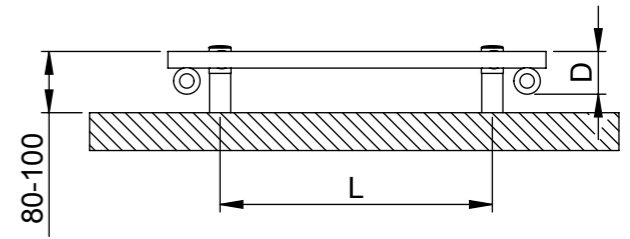
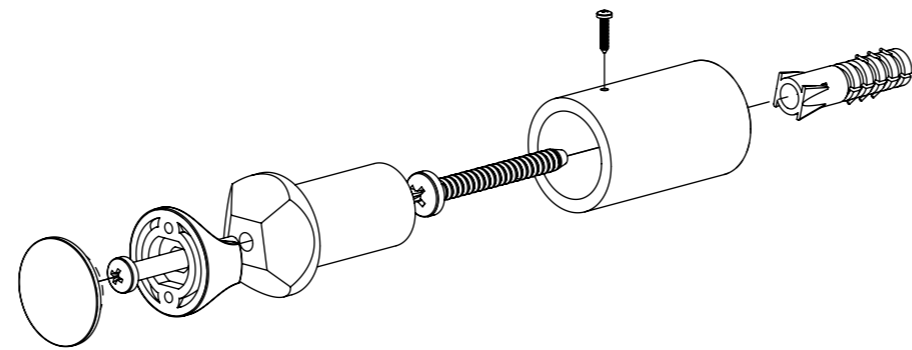
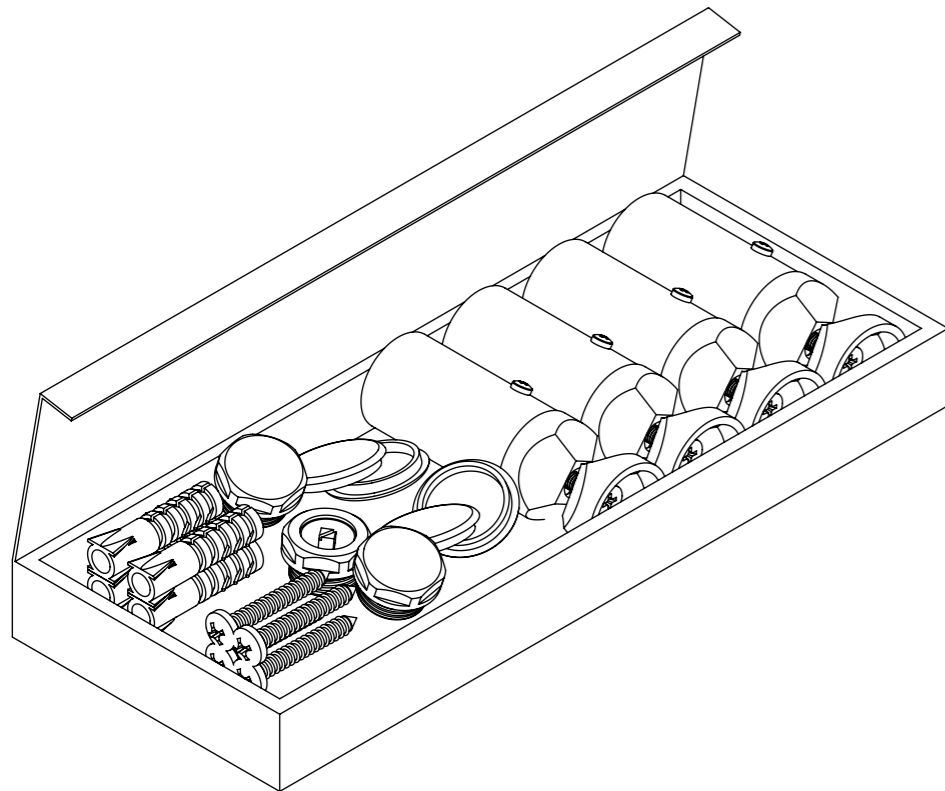
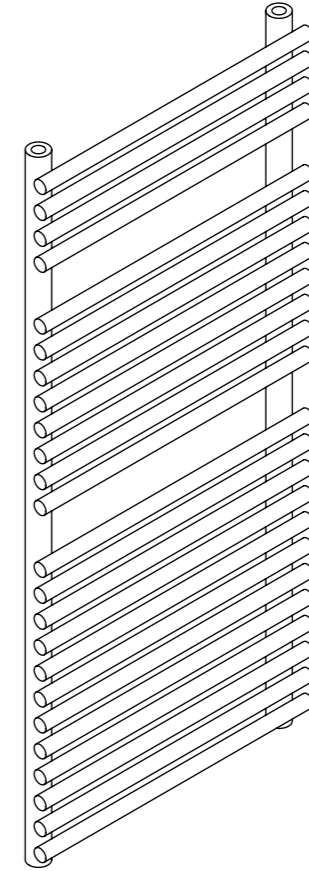
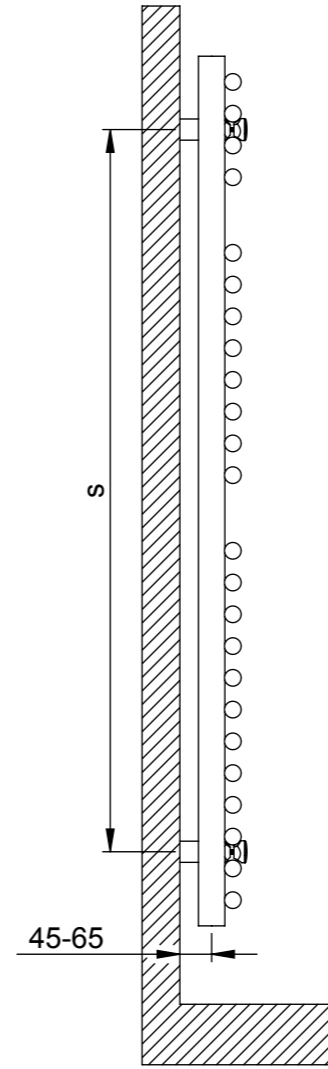
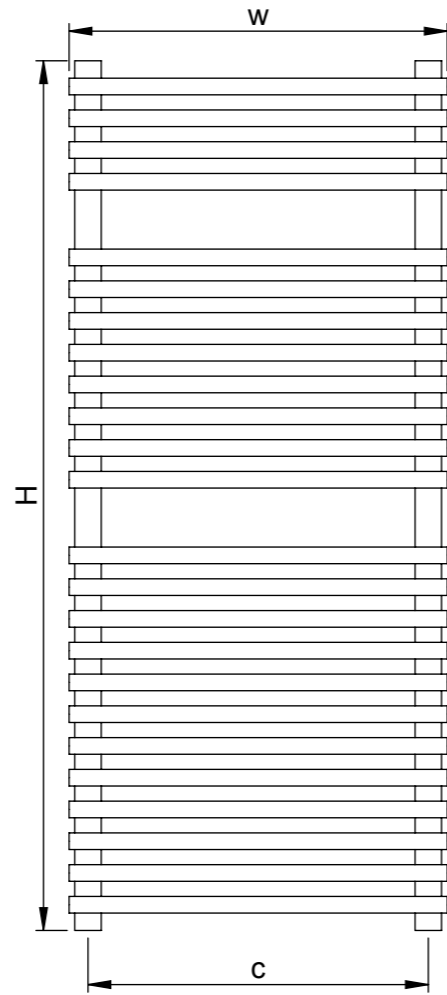
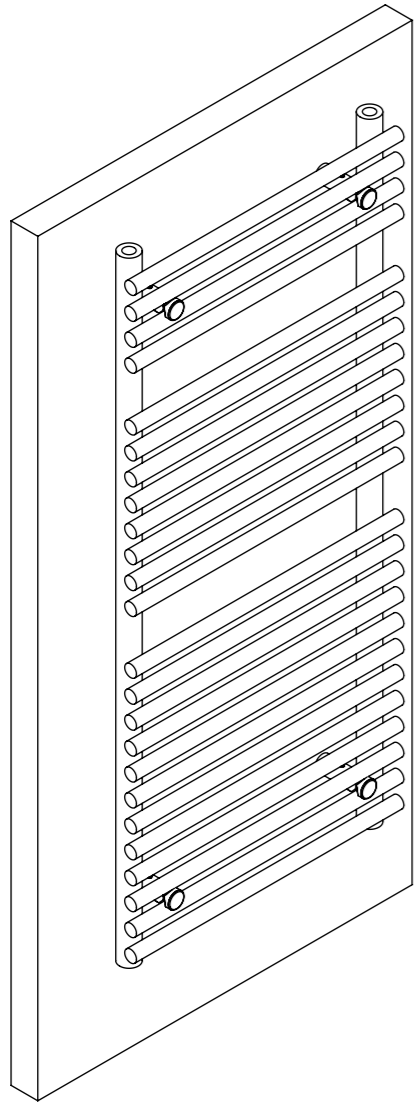


**carisa**  
design radiator

The contents of this document are property of Termosan® and should not be copied, reproduced or disclosed to a third party without written consent of the proprietor.

www.carisa.com.tr

www.termosan.com  
info@termosan.com



Product Code	Width	Height	Depth	Connection Centers	Tube Quantity	Assembly Axis		Weight kg.	Water Capacity lt.
	W	H	D	C		S	L		
TUB0500068814	500	688	56	450	14	495	360	5,2	3,3
TUB0500115024	500	1150	56	450	24	955	360	8,9	5,6
TUB0500146030	500	1460	56	450	30	1265	360	11,4	7,1
TUB0600068814	600	688	56	550	14	495	360	6,1	3,8
TUB0600115024	600	1150	56	550	24	955	360	10,1	6,4
TUB0600146030	600	1460	56	550	30	1265	360	12,8	8,0