

una

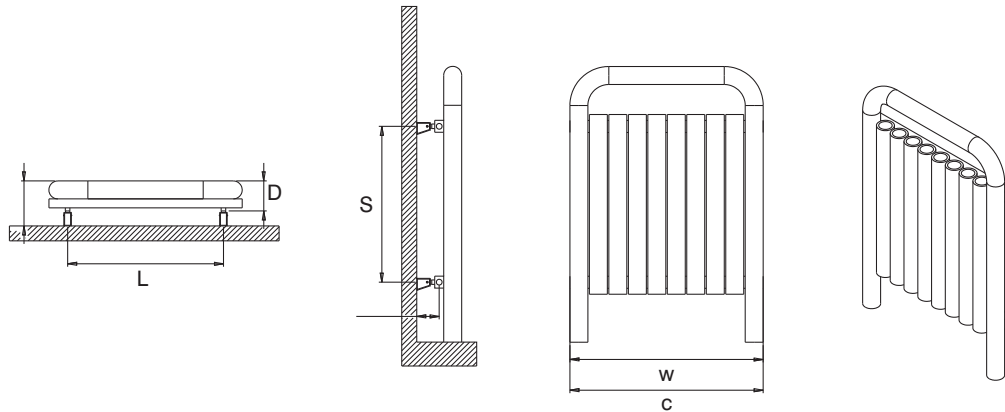


LEADING INNOVATION

The ultra modern design of this radiator will comply with your chic decorated space while giving you the most efficient heat.



technical specs page 115



una

material	finish	electric version	wall installation	warranty
stainless steel	satin polished	not available	floor standing	10 years

max. working pressure: 10 bar
 max. working temperature: 95°C
 all dimensions are in mm.
 connections 1/2"

Product Code	Width	Height	Depth	Connection Centers	Tube Quantity	Assembly Axis		Weight	Water Capacity	THERMAL POWER		
	W	H	D	C		S	L	kg.	lt.	btu	k/cal	watt
UNA032009200509	320	920	105	320	5	520	195	16,3	7,2	1996	503	585
UNA051509200809	515	920	105	515	8	520	390	25,8	9,4	3085	777	904
UNA064509201009	645	920	105	645	10	520	520	32,1	10,8	3810	960	1116
UNA032012200509	320	1220	105	320	5	820	195	22,4	9,6	2865	722	839
UNA051512200809	515	1220	105	515	8	820	390	34,8	12,6	4459	1124	1307
UNA064512201009	645	1220	105	645	10	820	520	33,4	14,4	5523	1392	1618

Vermogen (Watt) berekend op 75/65/20 graden Delta T50
 Bij 90/70/20 graden vermenigvuldig het vermogen met 1.26

UNA

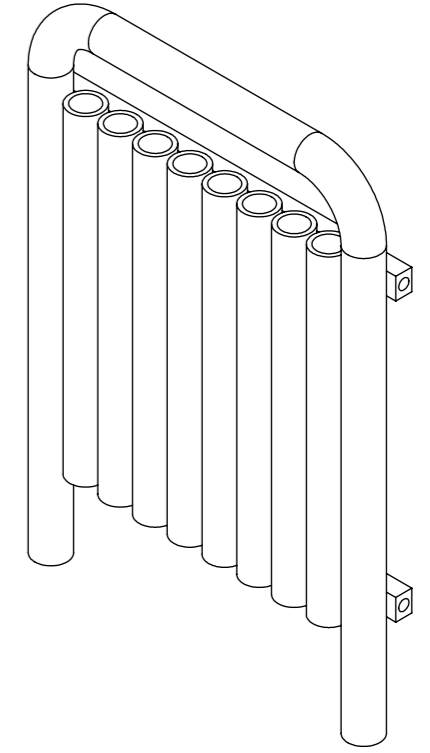
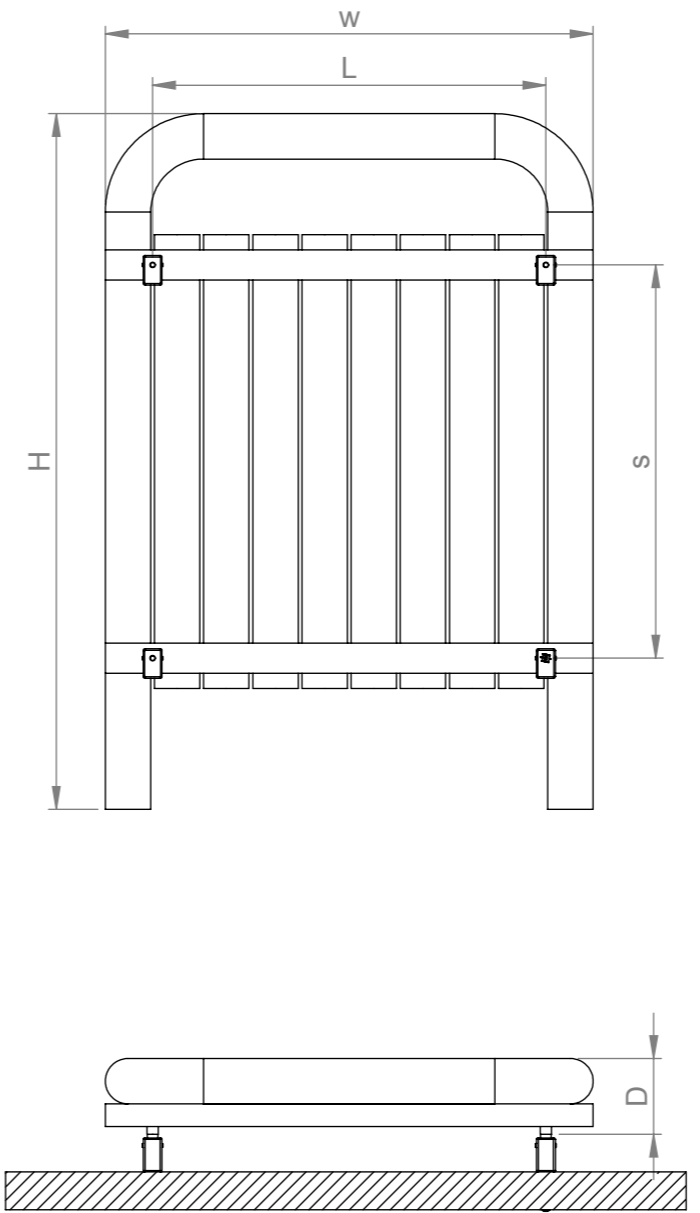
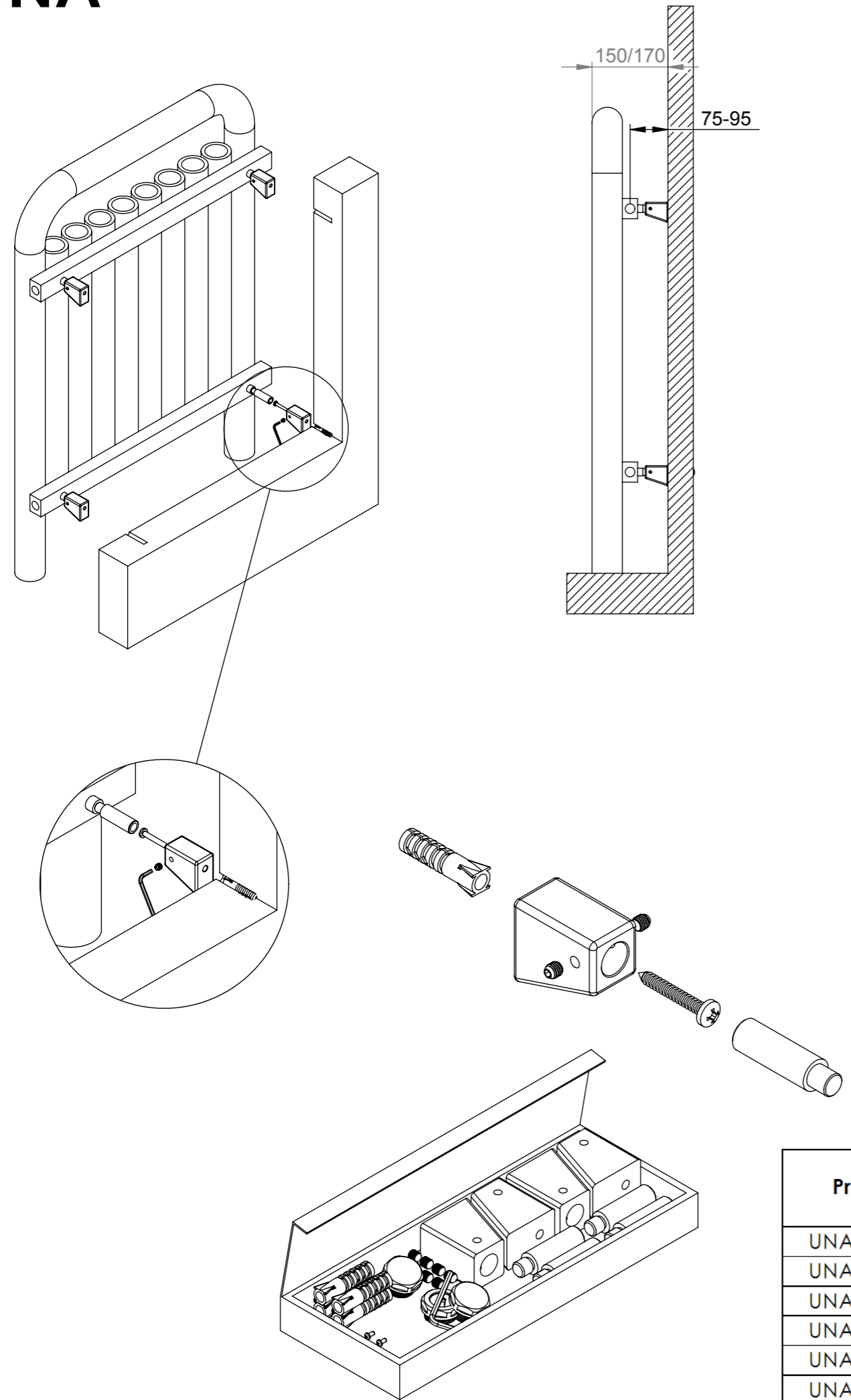


carisa[®]
design radiator

The contents of this document are property of **Termosan**[®] and should not be copied, reproduced or disclosed to a third party without written consent of the proprietor.

www.carisa.com.tr

www.termosan.com
info@termosan.com



Product Code	Width	Height	Depth	Connection Centers	Tube Quantity	Assembly Axis		Weight	Water Capacity
	W	H	D	C		S	L	kg.	lt.
UNA032009200509	320	920	105	320	5	520	195	16,3	7,2
UNA051509200809	515	920	105	515	8	520	390	25,75	9,4
UNA064509201009	645	920	105	645	10	520	520	32,1	10,8
UNA032012200509	320	1220	105	320	5	820	195	22,43	9,6
UNA051512200809	515	1220	105	515	8	820	390	34,8	12,6
UNA064512201009	645	1220	105	645	10	820	520	33,35	14,4