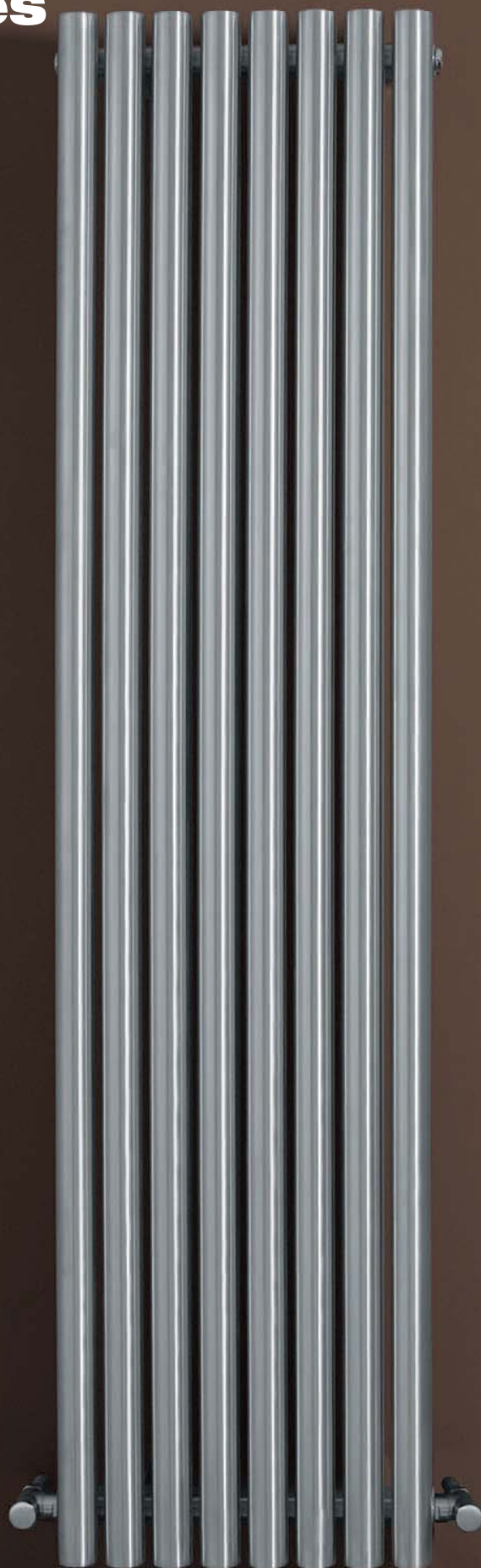
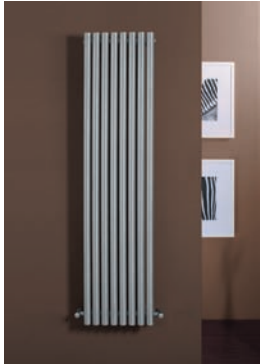


# versailles

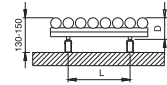
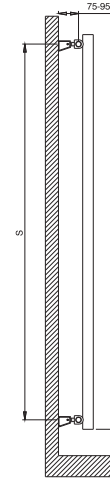
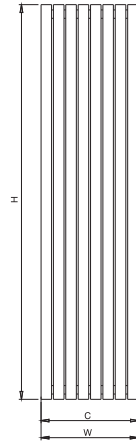
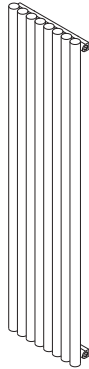


**AESTHETIC MAGNIFICENCE**  
Versailles will provide the feeling of living a life of luxury. Elegant tubes in stainless steel will look stunning on your wall. Let it spoil you!





# versailles



material	finish	electric version	wall installation	warranty
stainless steel	satin polished	not available	vertical horizontal	10 years

max. working pressure: 10 bar  
 max. working temperature: 95°C  
 all dimensions are in mm.  
 connections 1/2"

Product Code	Width	Height	Depth	Connection Centers	Tube Quantity	Assembly Axis		Weight	Water Capacity	THERMAL POWER		
	W	H	D	C		S	L	kg.	lt.	btu	k/cal	watt
VER037010000809	370	1000	80	370	8	925	235	13,2	9,2	2654	669	778
VER037015000809	370	1500	80	370	8	1425	235	19,1	13,5	3615	911	1059
VER037018000809	370	1800	80	370	8	1725	235	22,5	16,2	4029	1015	1181
VER037020000809	370	2000	80	370	8	1925	235	24,9	17,8	4194	1057	1229

Vermogen (Watt) berekend op 75/65/20 graden Delta T50  
 Bij 90/70/20 graden vermenigvuldig het vermogen met 1.26

# VERSAILLES

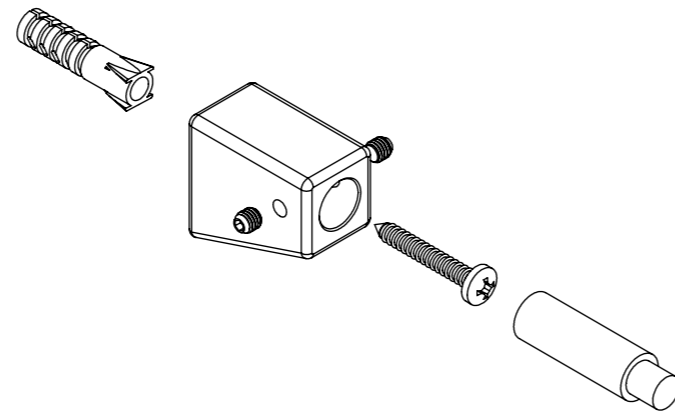
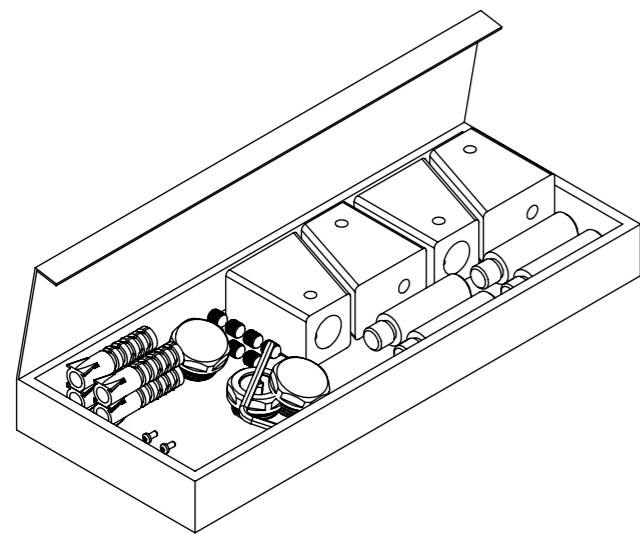
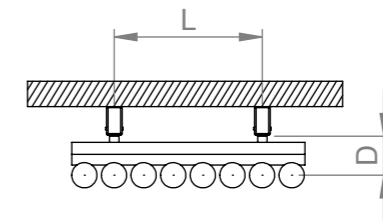
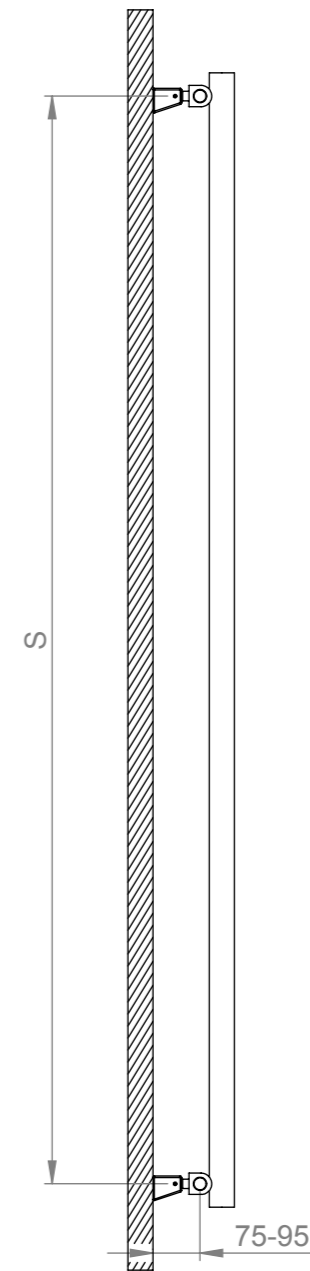
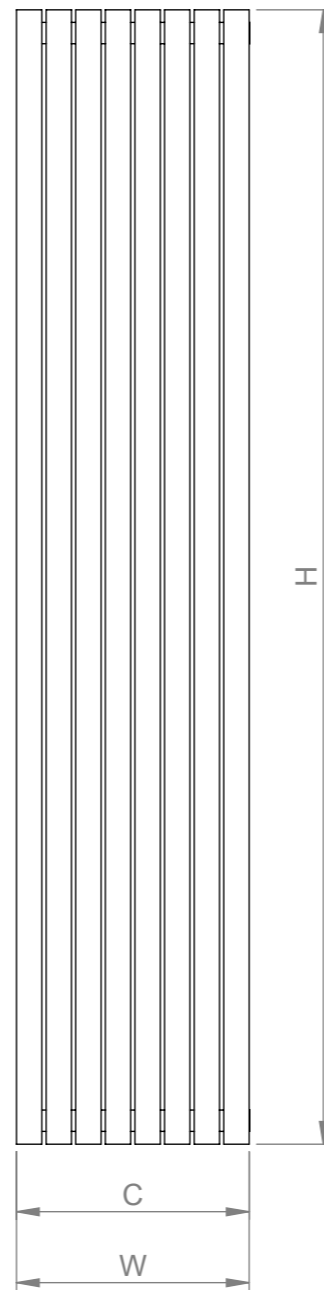
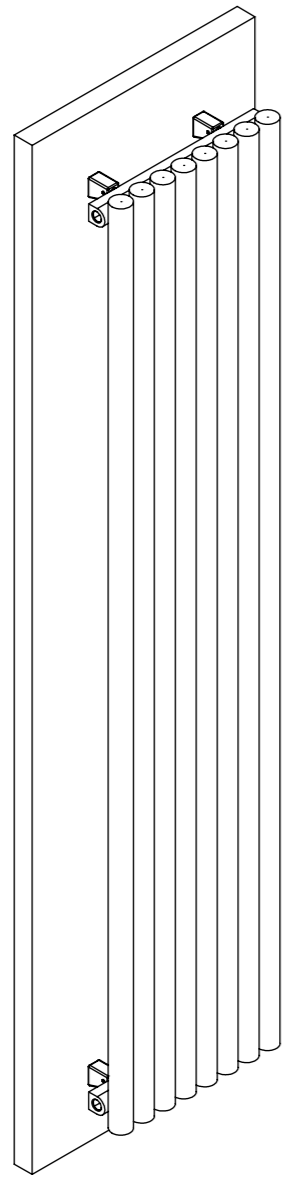


**carisa**  
design radiator

The contents of this document are property of Termosan® and could not be copied, reproduced or disclosed to a third party without written consent of the proprietor.

www.carisa.com.tr

www.termosan.com  
info@termosan.com



Product Code	Width	Height	Depth	Connection Centers	Tube Quantity	Assembly Axis		Weight	Water Capacity
	W	H	D			S	L		
VER037010000809	370	1000	82	8	8	925	235	13,2	9,2
VER037015000809	370	1500	82	8	8	1425	235	19,1	13,5
VER037018000809	370	1800	82	8	8	1725	235	22,5	16,2
VER037020000809	370	2000	82	8	8	1925	235	24,9	17,8