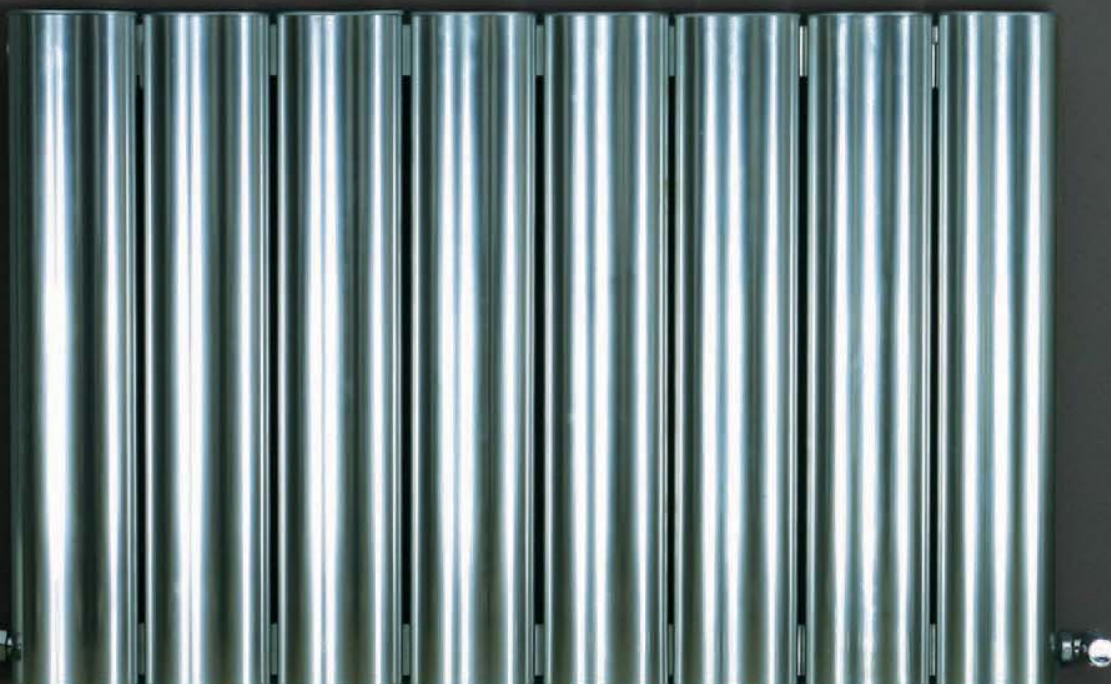


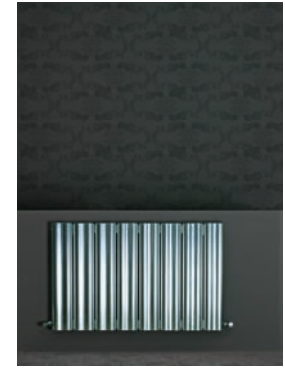
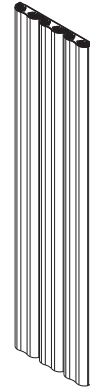
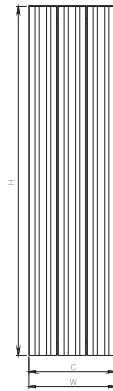
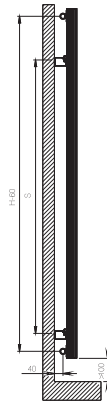


#### WAVES OF HEAT

Aesthetically designed aluminium profiles, efficient, elegant and soft.

Specially designed top covers emitting warm air, the silky surface in different color options will make Wave the ideal heating element for your interior.





**wave**

material	finish	electric version	wall installation	warranty
aluminium	anodized	900 W 1200 W	vertical horizontal	5 years

max. working pressure: 5 bar  
 max. working temperature: 95°C  
 all dimensions are in mm.  
 connections 1/2"

Product Code	Width	Height	Depth	Connection Centers	Tube Quantity	Assembly Axis		Weight	Water Capacity	THERMAL POWER (Anodized)		
	W	H	D	C		S	L	kg.	lt.	btu	k/cal	watt
WAV0370150003	370	1500	72	370	3	1075	250	10,2	1,5	3142	791	920
WAV0370180003	370	1800	72	370	3	1375	250	12	1,7	3767	949	1103
WAV0495150004	495	1500	72	495	4	1075	375	13,5	2,0	4187	1054	1226
WAV0495180004	495	1800	72	495	4	1375	375	16	2,3	5020	1264	1470
WAV0620150005	620	1500	72	620	5	1075	310	16,9	2,4	5232	1318	1532
WAV0620180005	620	1800	72	620	5	1375	310	20	2,9	6277	1581	1838
WAV0745150006	745	1500	72	745	6	1075	375	20,3	2,9	6277	1581	1838
WAV0745180006	745	1800	72	745	6	1375	375	24	3,4	7533	1897	2206
WAV0745060006	745	600	72	745	6	375	375	9,1	1,4	2510	632	735
WAV0995060008	995	600	72	995	8	375	625	12,1	1,9	3350	844	981
WAV1245060010	1245	600	72	1245	10	375	875	15,2	2,4	4187	1054	1226
WAV1495060012	1495	600	72	1495	12	375	1125	18,2	2,9	5020	1264	1470
WAV1745060014	1745	600	72	1745	14	660	1537	21	3,3	5860	1476	1716

Vermogen (Watt) berekend op 75/65/20 graden Delta T50  
 Bij 90/70/20 graden vermenigvuldig het vermogen met 1.26

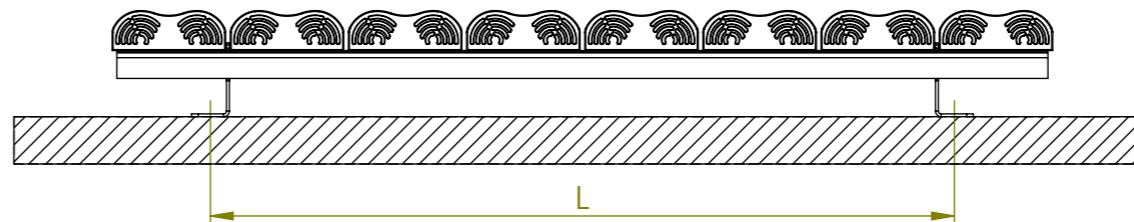
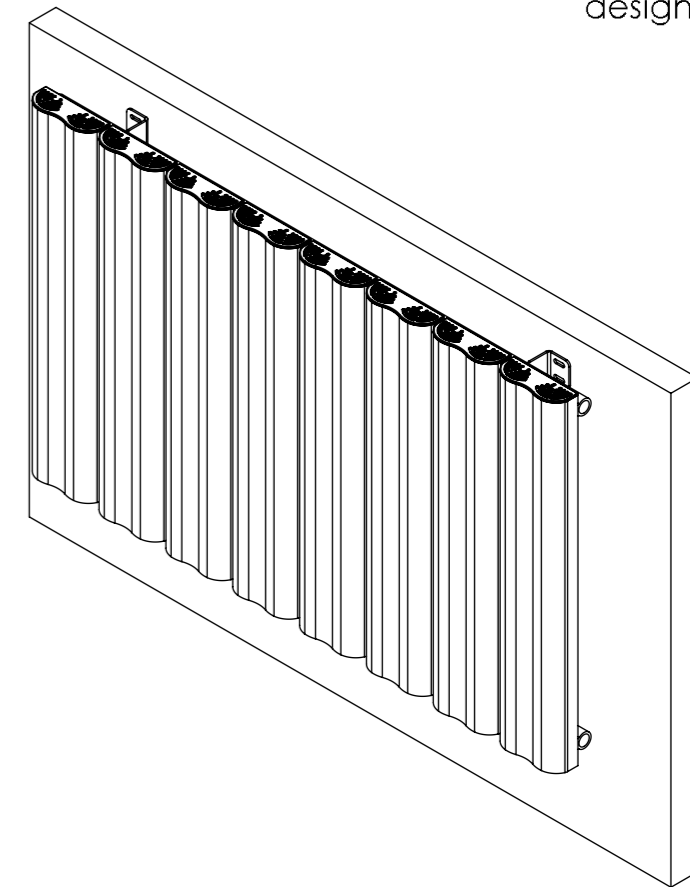
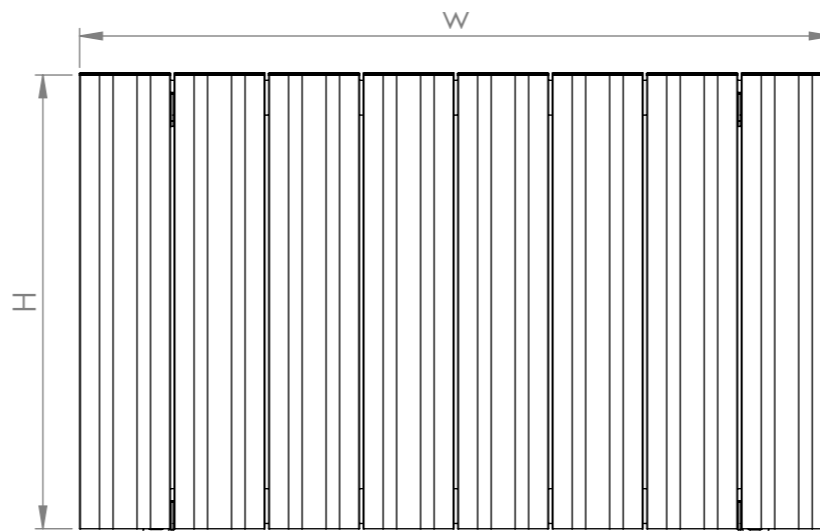
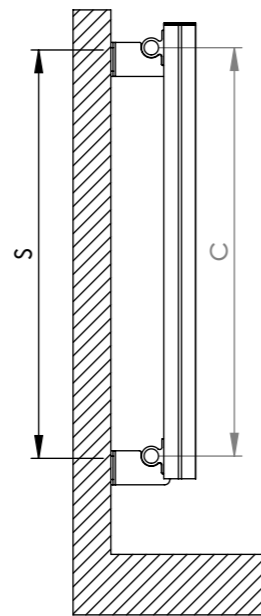
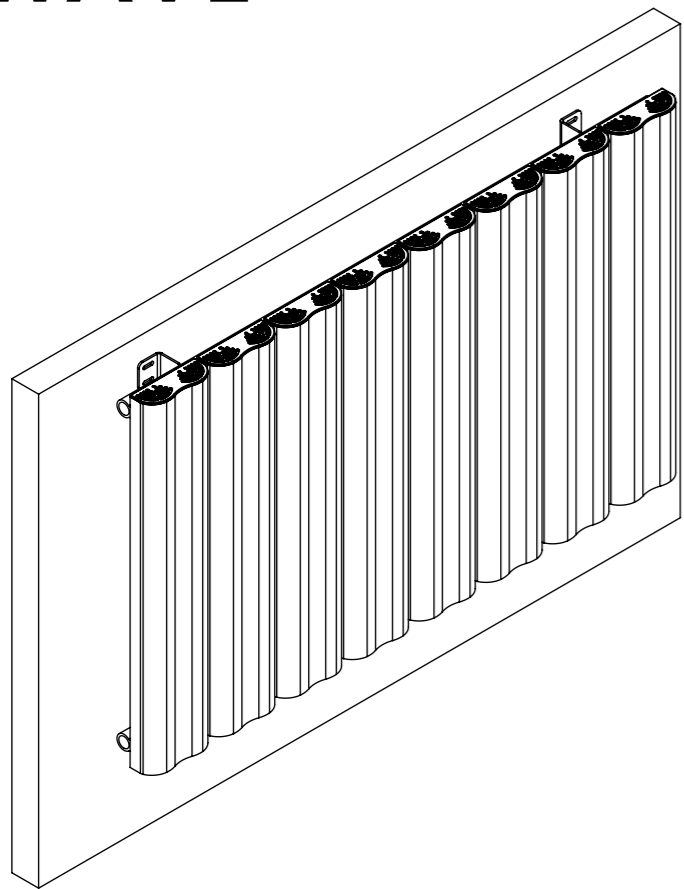
# WAVE



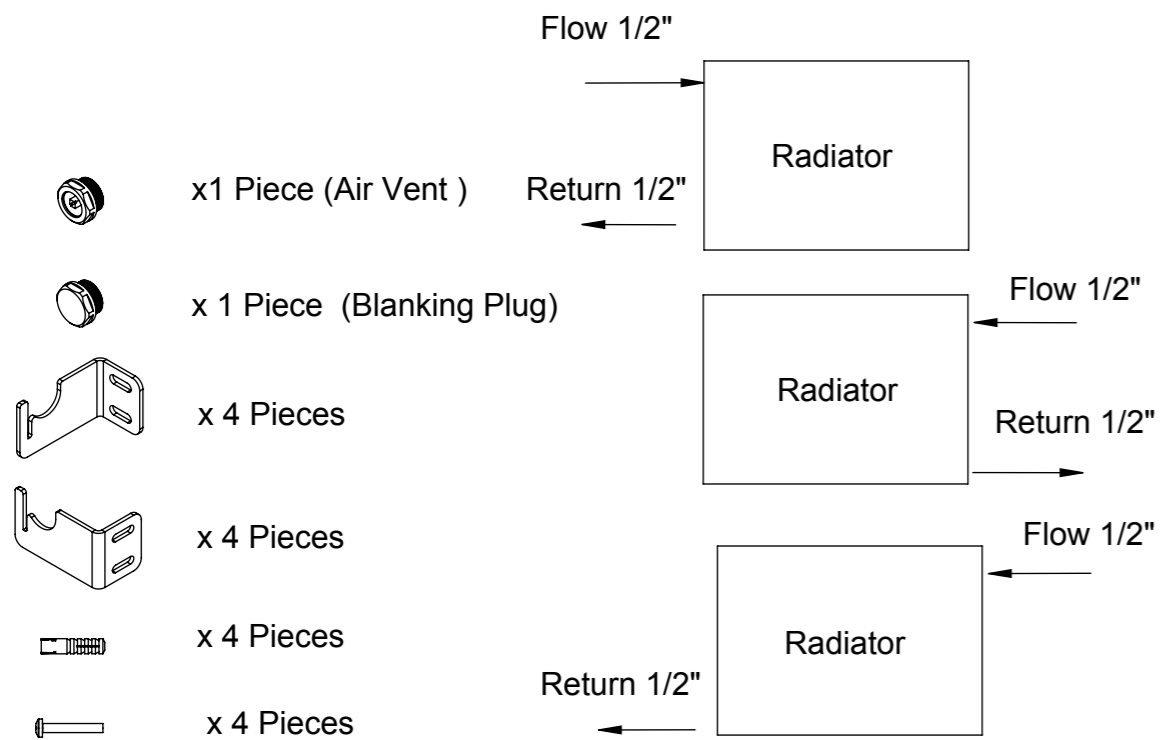
**carisa**  
design radiator

The contents of this document are property of Termosan® and should not be copied, reproduced or disclosed to a third party without written consent of the proprietor.

www.carisa.com.tr



Conn. :1/2" BSP



Product Code	Width	Height	Depth	Connection Centers	Tube Quantity	Assembly Axis		Weight	Water Capacity
	W	H	D	C		S	L	kg.	lt.
WAV0370150003	370	1500	72	1440	3	1440	162	10	1,5
WAV0370180003	370	1800	72	1740	3	1740	162	12	1,7
WAV0495150004	495	1500	72	1440	4	1440	287	14	2,0
WAV0495180004	495	1800	72	1740	4	1740	287	16	2,3
WAV0620150005	620	1500	72	1440	5	1440	412	17	2,4
WAV0620180005	620	1800	72	1740	5	1740	412	20	2,9
WAV0745150006	745	1500	72	1440	6	1440	537	20	2,9
WAV0745180006	745	1800	72	1740	6	1740	537	24	3,4
WAV0745060006	745	600	72	540	6	540	537	9	1,4
WAV0995060008	995	600	72	540	8	540	787	12	1,9
WAV1245060010	1245	600	72	540	10	540	1037	15	2,4
WAV1495060012	1495	600	72	540	12	540	1287	18	2,9

www.termosan.com  
info@termosan.com